

ESSENTIALS

LW104 SERIES

Linear Ambient/Utility LED Luminaire

Fixture Type:

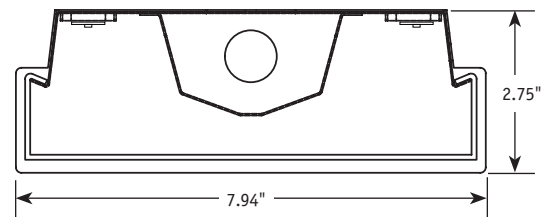
Job Information:

FEATURES:

- Shallow and compact designed linear ambient/utility LED luminaire.
- Low profile clear acrylic prismatic diffuser surrounds the LED light source enabling a wide and consistent light distribution.
- Available in 2Ft., 4Ft. or 8Ft. modules
- Digital LED technology provides high efficacy and energy efficiency.
- Multiple power and light levels are offered as standard to allow meeting design and energy needs per application. Custom factory set levels available on request.
- Lumen maintenance; Reported L70 (hours) & L80 (hours) > 60,000.
- CRI greater than 80.
- Fixture lumens per watt ratios up to 148
- American Made.



CROSS SECTION:



LW104 SERIES

Ex: LW104-4-3800-35K-A-1%-UNI-EM7

LW104			OPTIONS					
SERIES	NOMINAL LENGTH (FT)	NOMINAL LUMENS	COLOR TEMP	DIFFUSER	DRIVER	VOLTAGE	STANDBY LIGHTING	LIGHTING CONTROLS
LW104	2 24" Length	24"L 2100 5800	30K 35K 40K	A Clear Acrylic Prismatic	1% 0-10V 1% Dimming As Specified	UNI	EM7 EM10 EM12	O1 Leviton OSFHU or equal Occupancy Sensor, 360 Degree Lens Inst. Aisle Pattern Incl.
	4 48" Length	3800	50K Upon Request					
	8 96" Length	48"L 5000 9000						
		7800 18000						
		XXXX Custom Lumen Package. Contact Factory.						

LED MODULES:

- High performance linear configured LED module boards.
- Each board consists of multiple mid-power, high efficacy LEDs in a precise layout eliminating the need for supplemental heat sinking.
- The boards produce an even and diffuse light which maximizes optical efficiency.
- Compatible with the dimming performance of the LED driver.
- Color temperatures available: 3000K, 3500K and 4000K.
- Upon request: 5000K.

LED DRIVERS:

- Factory programmable constant current LED power supply.
- Multiple standard drive current outputs (factory set by Mercury) are cataloged with their corresponding lumen package offerings. Upon request, custom drive current outputs and lumen packages are available.
- Note: Certain cataloged lumen packages may be provided with a non-programmable constant current LED power supply at Mercury's discretion. Contact factory if critical.
- Universal voltage input, 120V-277V, 50HZ-60HZ.
- Specification grade continuous dimming capability down to 1% on 0-10V dimming controls.

LED LUMEN PACKAGES:

- Cataloged standard lumen packages. See attached chart for full details.
- Custom lumen packages pre-set are optional with programmable drivers only. Contact factory for details.

HOUSING:

- Fabricated from heavy gauge code grade cold rolled steel.
- White painted finish for long lasting durability.
- Housing ends are riveted into place.
- Sufficient electrical knockouts are provided on the housing back and ends.

DIFFUSER:

- Low profile clear acrylic diffuser. Conical prisms along the bottom panel. Linear prisms along the side panels.

STANDBY LIGHTING OPTION:

- Self-contained module, 7W, 10W or 12W as specified. Battery backup upon loss of power.

OPTIONAL OCCUPANCY SENSOR

- Self-contained sensor (Leviton #OSFHU or equal) mounts directly to luminaire.
- Passive infrared (PIF) technology for individual luminaire control.
- Reliable coverage up to 40Ft. height.
- Interchangeable lenses for 360 degree or aisle way pattern.

INSTALLATIONS:

- Suitable for surface mounting or suspending from ceiling orientations only.
- Mount individually or in continuous run applications.
- End knockouts for surface conduit entry.

CERTIFICATE OF SAFETY COMPLIANCE AND LISTINGS:

- Luminaire: UL and CUL listed 1598 and bears their label. Suitable for damp locations.

WARRANTY:

- 5-year limited warranty is standard. Complete LED warranty terms available at mercltg.com.
- Actual performance may differ as a result of end-user environment and application.
- Most LED luminaires are suitable to operate in ambient temperatures from -20C (-4F) to 25C (77F).
- The following exclusions apply: Luminaires with optional standby lighting option, integral lighting controls options, or wireless options. Consult factory.
- LM-79 testing was measured under a controlled 25C (77F) ambient operating temperature.

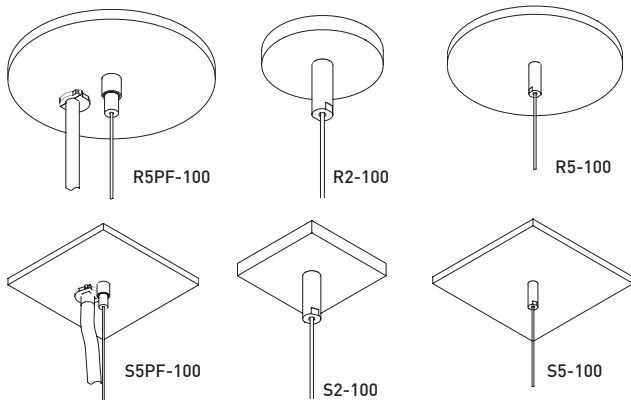


LW104 SERIES



Detail

HANGING ACCESSORIES



PART #	DESCRIPTION	PART #	DESCRIPTION
R5PF-100	Round 5" power feed canopy, Hanging hardware, 100" long 1/16" cable.	VH-XX	"V" Hanger w/XX= 48"L or 72"L Chain & "S" Hook
R5-100	Round 5" canopy, Hanging hardware, 100" long 1/16" cable.	CPYS-1	S-1 Single Stem 5" Dia. Canopy
R2-100	Round 2" canopy, Hanging hardware, 100" long 1/16" cable.	STMXX	XX= 12"L, 24"L, 48"L Stem/ 3/8" IPS-5/8" OD
S5PF-100	Square 5" power feed canopy, Hanging hardware, 100" long 1/16" cable.	Other cable lengths available.	
S5-100	Square 5" canopy, Hanging hardware, 100" long 1/16" cable.		
S2-100	Square 5" power feed canopy, Hanging hardware, 100" long 1/16" cable.		

PHOTOMETRICS

All photometric reports are available at mercltg.com.

LUMEN PACKAGE

SERIES	NOMINAL LENGTH (FT)	NOMINAL LUMEN PACKAGE	COLOR	FIXTURE POWER (W)	DELIVERED LUMENS	FIXTURE LPW
LW104	2FT					
		2100	3000K	15	2021	135
		2100	3500K	15	2075	138
		2100	4000K	15	2140	143
		2100	5000K	15	2140	143
		5800	3000K	44	5486	125
		5800	3500K	44	5651	128
		5800	4000K	44	5832	133
		5800	5000K	44	5847	133

SERIES	NOMINAL LENGTH (FT)	NOMINAL LUMEN PACKAGE	COLOR	FIXTURE POWER (W)	DELIVERED LUMENS	FIXTURE LPW
LW104	4FT					
		3800	3000K	26	3639	140
		3800	3500K	26	3734	144
		3800	4000K	26	3850	148
		3800	5000K	26	3850	148
		5000	3000K	34	4727	139
		5000	3500K	34	4854	143
		5000	4000K	34	5005	147
		5000	5000K	34	5005	147
		9000	3000K	66	8565	130
		9000	3500K	66	8813	134
		9000	4000K	66	9096	138
		9000	5000K	66	9106	138

SERIES	NOMINAL LENGTH (FT)	NOMINAL LUMEN PACKAGE	COLOR	FIXTURE POWER (W)	DELIVERED LUMENS	FIXTURE LPW
LW104	8FT					
		7800	3000K	56	7384	132
		7800	3500K	56	7594	136
		7800	4000K	56	7838	140
		7800	5000K	56	7838	140
		18,000	3000K	132	17,130	130
		18,000	3500K	132	17,626	134
		18,000	4000K	132	18,192	138
		18,000	5000K	132	18,213	138

Actual wattage may differ by +/- 5% when operating between 120V-277V +/- 10%.

