



L65VP SERIES

Vandal Resistant Linear LED Luminaire

Subject to Availability

Fixture Type:

Job Information:

SPECIFICATIONS:

LED MODULES:

- High performance linear configured LED module boards.
- Each board consists of multiple mid-power, high efficacy LEDs in a precise layout eliminating the need for supplemental heat sinking.
- The boards produce an even and diffuse light which maximizes optical efficiency.
- Compatible with the dimming performance of the LED driver.
- Color temperatures available: 3000K, 3500K and 4000K.
- Upon request: 5000K.

LED DRIVERS:

- Factory programmable constant current LED power supply.
- Multiple standard drive current outputs (factory set by Mercury) are cataloged with their corresponding lumen package offerings. Upon request, custom drive current outputs and lumen packages are available.
- Note: Certain cataloged lumen packages may be provided with a non-programmable constant current LED power supply at Mercury's discretion. Contact factory if critical.
- Universal voltage input, 120V-277V, 50HZ-60HZ.
- Specification grade dimming down to 1% on 0-10V dimming controls.

LED LUMEN PACKAGES:

- Cataloged standard lumen packages. See attached chart for full details.
- Custom lumen packages pre-set are optional with programmable drivers only. Contact factory for details.

HOUSING:

- All metal parts are fabricated from 16GA. (.062") cold rolled steel. Galvanized steel ends riveted into place.
- One-piece 16GA. end caps are drawn with a 5/8" flange on three sides to overlap and secure the diffuser.
- LED module boards are securely screwed in place to an internal wire way cover.
- Sufficient electrical knockouts are provided on the housing back.
- Finished with a high quality white powder coating for long lasting durability.

TAMPERPROOF SCREWS:

- Three specially designed screws hold each end cap securely in place. Corresponding screwdriver required and is cataloged.
- Optional standard type screws available when tamper proofing not needed.

DIFFUSER:

- Diffuser is extruded from high transmission unbreakable polycarbonate material and treated with ultra-violet inhibitors.
- Diffuser is securely locked into place.
- An evenly spaced pattern of conical prisms on the bottom panel and inside linear prisms along the sides.

STANDBY LIGHTING:

- Self contained module, 5W, 7W, 10W or 12W as specified. Battery backup upon loss of power. Available 4Ft. modules only.

INSTALLATIONS:

- Suitable for individual surface mounting on ceilings or walls in any direction.
- Sufficient knockouts and holes for direct attachment to a junction box. Four additional 1/4" mounting holes for secure anchoring.
- End knockouts for surface conduit entry upon request

CERTIFICATE OF SAFETY COMPLIANCE AND LISTINGS:

- Luminaire: UL and CUL listed 1598 and bears their label. Suitable for damp locations.

WARRANTY:

- 2-year limited warranty. Complete LED warranty terms available at www.mercltg.com.
- Actual performance may differ as a result of end-user environment and application.

FEATURES:

- Vandal-resistant linear ambient LED luminaire designed to withstand severe cases of vandalism and abuse.
- 16GA. steel housing.
- An unbreakable polycarbonate diffuser surrounds the LED light source.
- Six tamperproof screws keep the housing locked.
- Smart-looking square profile works well for ceiling or wall mounted applications.
- Schools, public housing complexes, parking garages, hospitals, police precincts, recreation facilities, and all other medium to maximum-security locations.
- High diffusion lens allows maximum light transmission while eliminating pixilation and hot spots.
- Nominal 2Ft. or 4Ft. long modules.
- Digital LED technology provides high efficacy and energy efficiency.
- Multiple power and light levels are offered as standard to allow meeting design and energy needs per application. Custom factory set levels available on request.
- Lumen maintenance; Reported L70 (hours) & L80 (hours) > 60,000.
- CRI greater than 80.
- Fixture lumens per watt ratios up to 112.
- American Made.



L65VP SERIES

Example: L65VP-4-2400-35K-HTP-1%-UNI-EM7

L65VP		HTP			UNI		
Series	Nominal Length (FT)	Nominal Lumens	Color Temp	Diffuser	Driver	Voltage	Options
L65VP	2 24" Length	24"	30K	HTP High Transmission Polycarbonate	1% 0-10V 1% Dimming As Specified	UNI	EM5
		2000	35K				EM7
	4 46-7/16" Length	2400	40K	EM10			
		46-7/16"	50K Upon Request	EM12			
		2100	Available 4ft. Modules Only				
		3800					
		4600					
		XXXX Custom Lumen Package. Contact Factory.					

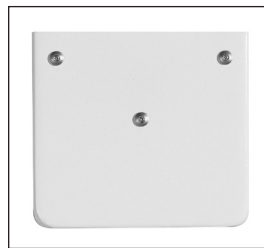
LUMEN PACKAGE

SERIES	NOMINAL LENGTH (FT)	Nominal Lumen Package	Color	Fixture Power (W)	Delivered Lumens	Fixture LPW
L65VP	2	2000	3000K	20W	1975	99
		2000	3500K	20W	2040	102
		2000	4000K	20W	2059	103
		2000	5000K	20W	2059	103
		2400	3000K	24W	2321	97
	4	2400	3500K	24W	2398	100
		2400	4000K	24W	2420	101
		2400	5000K	24W	2420	101

SERIES	NOMINAL LENGTH (FT)	Nominal Lumen Package	Color	Fixture Power (W)	Delivered Lumens	Fixture LPW
L65VP	4	2100	3000K	19W	2050	108
		2100	3500K	19W	2118	111
		2100	4000K	19W	2137	112
		2100	5000K	19W	2137	112
	3	3800	3000K	36W	3687	102
		3800	3500K	36W	3802	106
		3800	4000K	36W	3844	107
		3800	5000K	36W	3844	107
	2	4600	3000K	45W	4428	98
		4600	3500K	45W	4575	102
		4600	4000K	45W	4617	103
		4600	5000K	45W	4617	103

Actual wattage may differ by +/- 5% when operating between 120V-277V +/- 10%.

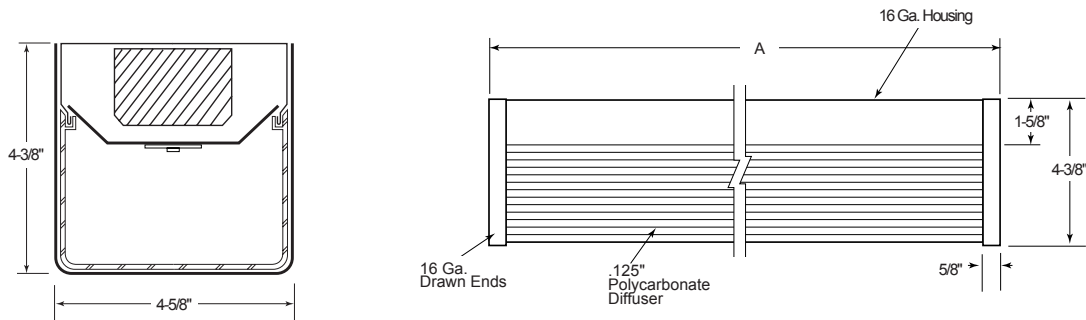
3-Screws Per End



PHOTOMETRICS:

All photometric reports are available at www.mercltg.com.

CROSS SECTION & SIDE VIEW:



	L	Size
A =	24"	2 Ft.
	46-7/16"	4 Ft.

