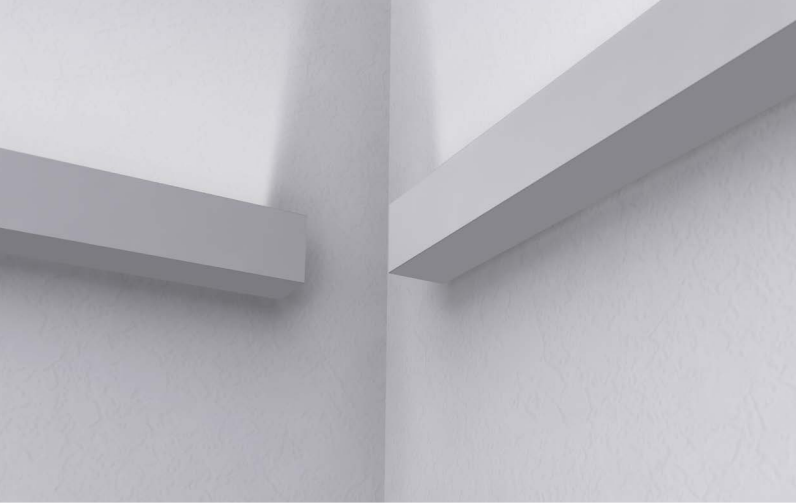


# LIGHTSTREAMS

## MLS3-WMI SERIES

## WALL MOUNT INDIRECT

### Architectural Linear LED Illuminating System | LIGHTSTREAMS 3



#### Features:

- Wall mounted indirect illumination.
- Indirect uplighting for wall grazing and general illumination.
- Extruded aluminum housing for perfectly straight lines of light.
- Narrow 3-inch wide profile.
- Linear lengths; 2-ft. and above in increments of one- inch.
- Custom formulated high diffusion extruded acrylic lens.
- Non-glare matte-white polyester powder coating finish.
- Custom colors available.
- Wall mounting system provides a half-inch standoff.
- Cataloged standard or custom set lumens-per-foot performances.
- 80 CRI standard. 90 CRI available.
- Tunable white feature.
- Continuous dimming capability down to 1% on 0-10V controls.
- Fixture lumens per watt ratios up to 118.
- Lighting controls and sensors.
- Standard and custom corners.
- American Made.



#### Performance

Based on 4Ft. Module, 3500K, 80 CRI, HTA diffuser

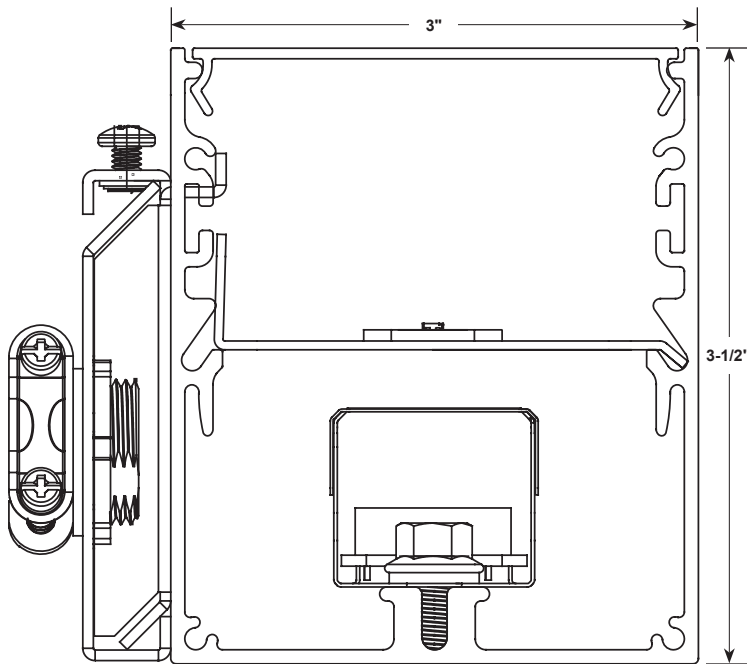
Lumens per Foot (LF)	Delivered Lumens (L)	System Watts (W)	Lumens per Watt (LPW)
400	1600	13.6	118
500	2000	17.1	117
625	2500	21.6	116
825	3300	29.3	113
950	3800	34.5	110
1100	4400	40.8	108

#### Multiplier for other Color Temp (K)

3000K	97%
3500K	100%
4000K	102%
5000K	103%



Actual performance may differ by +/- 5% when operating between 120V-277V +/- 10%. Consult Factory for 90 CRI performances.



Fixture Type:	Job Information:
---------------	------------------

# MLS3-WMI Series | LIGHTSTREAMS 3

## Architectural Linear LED Illuminating System | Wall Mount Indirect

Ex: MLS3-WMI-144-825-35K-HTA-1%-U-EM12-S1

MLS3		WMI		Options						
SERIES	MOUNTING	MODULE OR ROW LENGTH	LUMENS/ FT	COLOR TEMP	DIFFUSER	DRIVER	VOLTAGE	STANDBY MODULES*	LIGHTING CONTROLS	CUSTOM PAINT COLORS
MLS3 LightStreams 3	WMI Wall Mount Indirect	48 48" Length 96 96" Length 144 144" Length  Custom or Row Length. 24" and above in 1" increments. Ex. in inches: 82, 384, etc.	400 500 825 950 1100  Custom Lumen Packages. Lumen Packages with ASO diffuser. Contact Factory.	30K 35K 40K 50K Upon Request TW 27K-65K  927K 930K 935K 940K	HTA High Transmission Acrylic  ASO Acrylic Smooth Opal (Performance is reduced with this diffuser)	1% 0-10V 1% Dimming  SR Sensor Ready (Required for Certain Controls, Contact Factory)  LDE1 Lutron Hi-Lume  As Specified	U Uni 120V-277V  1 120V 7 277V  X As Specified	EM7 EM10 EM12  No Option	S1 Philips EasySense (SNS 210-Blue Tooth) S11 Enlighted Micro (SU5ECL) O8 Sensor Switch (SFR7)  No Option	As Specified

\*Available in modules of 4-ft. and longer.

### Housings

Extruded aluminum profile in a 0.080-inch wall thickness.

Maximum length of each linear component is 12-ft.

.060 aluminum ends are provided where needed at row termini.

A one-piece 14GA galvanized steel joiner/aligner bracket is provided for each joint between housings.

Internal cold-rolled steel components.

Standard or custom mounting points are provided along the housing side.

Housing easily mounts to unique wall hanging system.

A custom formulated non-glare matte-white polyester powder coating provides an extremely durable and long-lasting finish.

Custom color finishes on request.

### Diffusers

Seamless fit diffusers. Flawless and consistent end-to-end fit.

Standard indirect diffuser: extruded from custom formulated high transmission white acrylic material. Allows maximum light transmission while eliminating pixilation and hot spots.

Smooth finish on diffuser compliments the architectural elements.

### LED Modules

High performance linear configured LED module boards.

Each board consists of multiple mid-power, high efficacy LEDs in a precise layout eliminating the need for supplemental heat sinking.

The boards produce an even and diffuse light which maximizes optical efficiency.

Compatible with the dimming performance of the LED driver.

Color temperatures available 80 CRI: 3000K, 3500K and 4000K. Upon request: 5000K.

Color temperatures available 90 CRI: 2700K, 3000K, 3500K and 4000K.

### Tunable White Option

Field tunable range 2700K through 6500K, 80CRI. Consult factory.

### LED Drivers

Factory programmable constant current LED power supply.

Multiple standard drive current outputs (factory set by Mercury) are cataloged with their corresponding lumens-per-foot offering. Upon request, custom drive current outputs and lumens-per-foot options are available.

Note: Certain cataloged lumens-per-foot offerings may be provided with a non-programmable constant current LED power supply at Mercury's discretion. Contact factory if critical.

Universal voltage input, 120V-277V, 50HZ-60HZ.

Specification grade continuous dimming capability down to 1% on 0-10V dimming controls.

Sensor ready (SR) drivers compatible with most lighting controls are optional. Consult factory.

Lutron driver available: LDE1 series.

### Standby Lighting Options

Self-contained module, 7W, 10W or 12W as specified. Battery backup upon loss of power. Available in modules of 4-ft. and longer.

### Integral Lighting Controls

Various lighting controls and sensors are optional. Consult factory.

### Corners

Standard 90-degree corners.

Custom angled corners.

### Installations

Designed to be wall mounted with the half-inch off-set wall mounting system.

Labor saving feature allows installation without disassembling of luminaire.

May be directly mounted to wall.

Lengths of 12-ft. and less to use one housing with two ends pre-installed.

Lengths over 12-ft. will be engineered to job requirements using multiple housings with one end pre-installed at each row end.

Lengths over 12-ft. will include appropriate job required quick-connect plug-thru wire harnesses and housing joiners.

### Certificate of Safety Compliance and Listings

Luminaire: UL and CUL listed 1598 and bears their label. Suitable for damp locations..

### Warranty

5-year limited warranty is standard. Special 10-year warranty available on a job-to-job basis. Complete LED warranty terms available at [www.mercltg.com](http://www.mercltg.com).

Actual performance may differ as a result of end-user environment and application.

Most LED luminaires are suitable to operate in ambient temperatures from -20C (-4F) to 25C (77F).

The following exclusions apply: Luminaires with standby lighting option, integral lighting controls options, or wireless control options. Consult factory.

LM-79 testing was measured under a controlled 25C (77F) ambient operating temperature.



**MLS3-WMI Series | LIGHTSTREAMS 3**  
Architectural Linear LED Illuminating System | Wall Mount Indirect

**Dimensional Data**

