

# LIGHTSTREAMS

## MLS2-WDI SERIES

## WALL MOUNT DIRECT/INDIRECT

### Architectural Linear LED Illuminating System | LIGHTSTREAMS 2



#### Features:

- Wall mounted dual directional illumination.
- Direct downlighting and indirect uplighting for wall grazing and general illumination.
- Extruded aluminum housing for perfectly straight lines of light.
- Narrow profile; 1-7/8-inch width.
- Linear lengths; 2-ft. and above in increments of one- inch.
- Custom formulated high diffusion extruded acrylic lens.
- Non-glare matte-white polyester powder coating finish.
- Custom colors available.
- Wall mounting system provides a half-inch standoff.
- Cataloged standard or custom set lumens-per-foot performances.
- 80 CRI standard. 90 CRI available.
- Tunable white feature.
- Continuous dimming capability down to 1% on 0-10V controls.
- Fixture lumens per watt ratios up to 110.
- Lighting controls and sensors.
- Standard and custom corners.
- American made.

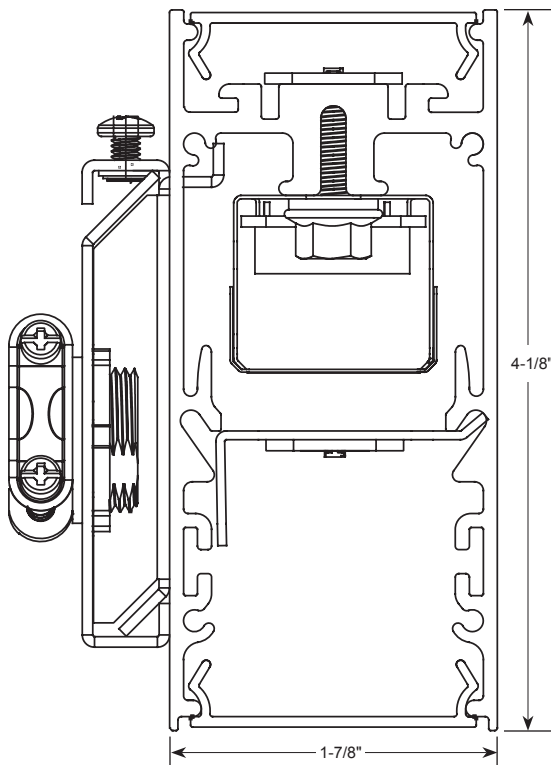
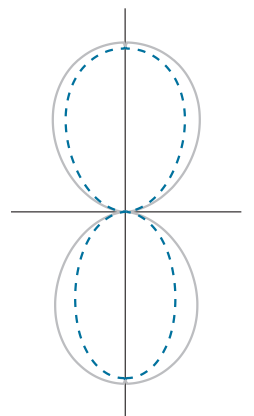


#### Performance

Based on 4Ft. Module, 3500K, 80 CRI, HTA diffuser

Direct Lumens Per Foot	Indirect Lumens Per Foot	Direct/ Indirect %	Delivered Lumens Total (L)	System Watts (W)	Lumens Per Watt (LPW)
400	400	50/50	3200	29.5	108.5
	500	45/55	3600	34.2	105.3
	625	40/60	4100	38.8	105.7
	825	35/65	4900	47.7	102.7
	950	30/70	5400	53.4	101.1
	963	30/70	5452	54.5	100.0
500	400	55/45	3600	34.2	105.3
	500	50/50	4000	36.2	110.5
	625	45/55	4500	43.2	104.2
	825	40/60	5300	52.1	101.7
	950	35/65	5800	57.8	100.3
	963	35/65	5852	58.9	99.4
625	400	60/40	4100	38.8	105.7
	500	55/45	4500	43.2	104.2
	625	50/50	5000	46.3	108.0
	825	45/55	5800	56.7	102.3
	950	40/60	6300	62.4	101.0
	963	40/60	6352	63.5	100.0
825	400	70/30	4900	47.7	102.7
	500	65/35	5300	52.1	101.7
	625	60/40	5800	56.7	102.3
	825	50/50	6600	64.7	102.0
	950	45/55	7100	71.3	99.6
	963	45/55	7152	72.4	98.8
950	400	70/30	5400	53.4	101.1
	500	65/35	5800	57.8	100.3
	625	60/40	6300	62.4	101.0
	825	55/45	7100	71.3	99.6
	950	50/50	7600	76.2	99.7
	963	50/50	7652	78.1	98.0
963 MAX	400	70/30	5452	54.5	100.0
	500	65/35	5852	58.9	99.4
	625	60/40	6352	63.5	100.0
	825	55/45	7152	72.4	98.8
	950	50/50	7652	78.1	98.0
	963	50/50	7704	77.4	99.5

Multiplier for other Color Temp (K)  
 3000K 97%    4000K 102%  
 3500K 100%    5000K 103%



Actual performance may differ by +/- 5% when operating between 120V-277V +/- 10%. Consult Factory for 90 CRI performances.



Fixture Type:

Job Information:

# MLS2-WDI Series | LIGHTSTREAMS 2

Architectural Linear LED Illuminating System | Wall Mount Direct/Indirect

Ex: MLS2-WDI-144-825-950-35K-HTA-HTA-1%-2C-U-EM12-S1

Options

MLS2	WDI														
SERIES	MOUNTING	MODULE OR ROW LENGTH	LUMENS/ FT DIRECT	LUMENS/ FT INDIRECT	COLOR TEMP	DIFFUSER/ DIRECT	DIFFUSER/ INDIRECT	DRIVER	CIRCUITING	VOLTAGE	STANDBY MODULES*	LIGHTING CONTROLS			
MLS2 LightStreams 2	WDI Wall Mount Direct/ Indirect	48 48" Length	400 500	400 500	30K 35K 40K 50K Upon Request	HTA High Transmission Acrylic	HTA High Transmission Acrylic	1% 0-10V 1% Dimming	1C Single Circuit	U Uni 120V-277V	EM7 EM10 EM12	S1 Philips EasySense (SNS 210- Blue Tooth)			
		96 96" Length	825 825	825 825									No Option		
		144 144" Length	950 963	950 963	80 CRI  TW 27K-65K	ASO Acrylic Smooth Opal (Reduced Performance)	ASO Acrylic Smooth Opal (Reduced Performance)	SR Sensor Ready (Required for Certain Controls, Contact Factory)	2C Dual Circuit Direct/ Indirect	1 120V 7 277V	No Option	S11 Enlighted Micro (SU5ECL)			
		Custom or Row Length, 24" and above in 1" Increments. Ex. in inches: 82, 384, etc.	Custom Lumen Packages. Lumen Packages with ASO diffuser. Contact Factory.	Custom Lumen Packages. Lumen Packages with ASO diffuser. Contact Factory.									90 CRI  927K 930K 935K 940K	A05 1/2" Drop	A05 1/2" Pop-Up
						A10 1" Drop	A10 1" Pop-Up						CUSTOM PAINT COLORS		
						A15 1-1/2" Drop	A15 1-1/2" Pop- Up						As Specified		

\*Available in modules of 4-ft. and longer.

## Housings

Extruded aluminum profile in a 0.080-inch wall thickness.

Maximum length of each linear component is 12-ft. .060 aluminum ends are provided where needed at row termini.

A one-piece 14GA galvanized steel joiner/aligner bracket is provided for each joint between housings.

Internal cold-rolled steel components.

Standard or custom mounting points are provided along the housing side.

Housing easily mounts to unique wall hanging system.

A custom formulated non-glare matte-white polyester powder coating provides an extremely durable and long-lasting finish.

Custom color finishes on request.

## Diffusers

Seamless fit diffusers. Flawless and consistent end-to-end fit.

Standard direct and indirect diffusers: extruded from custom formulated high transmission white acrylic material. Allows maximum light transmission while eliminating pixilation and hot spots.

Optional diffusers: extruded from acrylic smooth opal material. Offers a more esthetically white appearance. Note: reduces performance by up to 25%.

Smooth finish on both diffusers compliments the architectural elements.

Additional options: 1/2", 3/4 "and 1-1/2" drop style diffusers may be added to the direct position. May also be added to the indirect position as a pop-up diffuser.

## LED Modules

High performance linear configured LED module boards.

Each board consists of multiple mid-power, high efficacy LEDs in a precise layout eliminating the need for supplemental heat sinking.

The boards produce an even and diffuse light which maximizes optical efficiency.

Compatible with the dimming performance of the LED driver.

Color temperatures available 80 CRI: 3000K, 3500K and 4000K. Upon request: 5000K.

Color temperatures available 90 CRI: 2700K, 3000K, 3500K and 4000K.

## Tunable White Option

Field tunable range 2700K through 6500K, 80CRI. Consult factory.

## LED Drivers

Factory programmable constant current LED power supply.

Multiple standard drive current outputs (factory set by Mercury) are cataloged with their corresponding lumens-per-foot offering. Upon request, custom drive current outputs and lumens-per-foot options are available.

Note: Certain cataloged lumens-per-foot offerings may be provided with a non-programmable constant current LED power supply at Mercury's discretion. Contact factory if critical.

Universal voltage input, 120V-277V, 50HZ-60HZ.

Specification grade continuous dimming capability down to 1% on 0-10V dimming controls.

Sensor ready (SR) drivers compatible with most lighting controls are optional. Consult factory.

Lutron driver available: LDE1 series.

## Standby Lighting Options

Self-contained module, 7W, 10W or 12W as specified. Battery backup upon loss of power. Available in modules of 4-ft. and longer.

## Integral Lighting Controls

Various lighting controls and sensors are optional. Consult factory.

## Corners

Standard 90-degree corners for inside or outside turns. Custom angled corners.

## Installations

Designed to be wall mounted with the half-inch off-set wall mounting system.

Labor saving feature allows installation without disassembling of luminaire.

May be directly mounted to wall.

Lengths of 12-ft. and less to use one housing with two ends pre-installed.

Lengths over 12-ft. will be engineered to job requirements using multiple housings with one end pre-installed at each row end.

Lengths over 12-ft. will include appropriate job required quick-connect plug-thru wire harnesses and housing joiners.

## Certificate of Safety Compliance and Listings

Luminaire: UL and CUL listed 1598 and bears their label. Suitable for damp locations.

## Warranty

5-year limited warranty is standard. Special 10-year warranty available on a job-to-job basis. Complete LED warranty terms available at [www.merclgt.com](http://www.merclgt.com).

Actual performance may differ as a result of end-user environment and application.

Most LED luminaires are suitable to operate in ambient temperatures from -20C (-4F) to 25C (77F).

The following exclusions apply: Luminaires with standby lighting option, integral lighting controls options, or wireless control options. Consult factory. LM-79 testing was measured under a controlled 25C (77F) ambient operating temperature.



## MLS2-WDI Series | LIGHTSTREAMS 2

Architectural Linear LED Illuminating System | Wall Mount Direct/Indirect

### Dimensional Data

