

LIGHTSHAPES

MLS3-MSQ SERIES

SQUARE MODULES SUSPENDED OR SURFACE MOUNT

Architectural Linear LED Illuminating System | LIGHTSHAPES 3

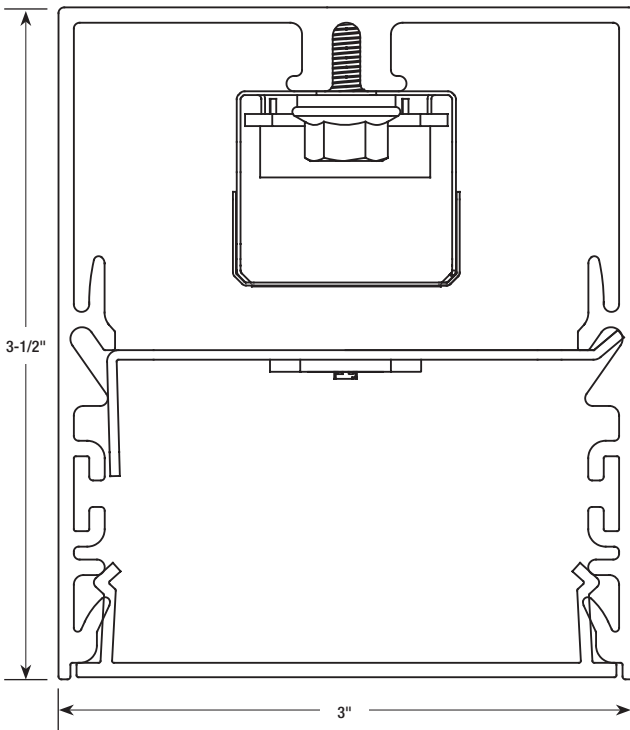


Features

- Fully illuminated square modules.
- Extruded aluminum housings and mitered corners for perfectly constructed squares of light.
- Narrow 3-inch wide profile.
- Standard squares of 25", 31", 36", and 47".
- Custom formulated high diffusion extruded acrylic lenses, mitered at the corners.
- Non-glare matte-white polyester powder coating finish.
- Cable mount from ceiling or direct surface mount.
- Cataloged standard or custom set lumen packages.
- 80 CRI standard. 90 CRI available.
- Dimming down to 1% on 0-10V controls.
- Fixture lumens per watt ratios up to 110.
- Lighting controls and sensors.
- Custom sizes and other shapes available.
- American Made.



Cross Section (actual size)



Performance

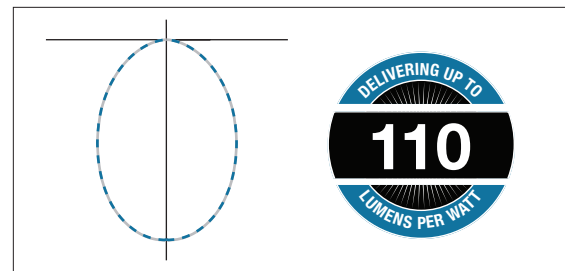
Based on 3500K, 80 CRI, HTA diffuser

Square Size	Nominal Lumen Package	Color	System Watts (W)	Delivered Lumens (L)	Lumens Per Watt (LPW)
25"	2700	35K	26	2701	104
	3000	35K	28	3000	107
	3300	35K	32	3300	103
	3600	35K	34	3601	106
31"	3400	35K	32	3378	106
	3700	35K	35	3752	107
	4100	35K	39	4126	106
	4500	35K	43	4499	105
36"	4000	35K	37	4052	110
	4500	35K	42	4500	107
	4900	35K	46	4952	108
	5400	35K	51	5402	106
47"	5400	35K	52	5402	104
	6000	35K	56	6000	107
	6600	35K	64	6600	103
	7200	35K	68	7202	106

MULTIPLIER For other Color Temp (K)

3000K	97%
3500K	100%
4000K	102%
5000K	103%

Actual performance may differ by +/- 5% when operating between 120V-277V +/- 10%. Consult Factory for 90 CRI performances.



fixture type:

job information:

MLS3-MSQ Series | LIGHTSHAPES 3

Architectural Linear LED Illuminating System | Square Modules – Suspended or Surface Mount

Ex: MLS3-MSQ-25-3300-35K-HTA-1%-U

MLS3										Options			
Series	Mounting	Square Description	Nominal Lumens	Color Temp	Diffuser	Driver	Voltage	Standby Modules	Lighting Controls	Custom Hanging Points	Custom Paint Colors	Misc.	
MLS3 LightShapes 3	MSQ Square Suspended Mount	25 25" X 25" Square	2700 25" 3000 HTA 3300 3600	80 CRI	HTA High Transmission Acrylic	1% 0-10V 1% Dimming	U Uni 120V-277V	Consult Factory	S1 Philips EasySense	As Specified	As Specified	WL UL "Suitable for Wet Locations" labeled.	
		31 31" X 31" Square	3400 31" 3700 HTA 4100 4500										
	MSQ1 Square Surface Mount	36 36" X 36" Square	4000 36" 4500 HTA 4900 5400	90 CRI	ASO Acrylic Smooth Opal (Performance is reduced with this diffuser)	SR Sensor Ready (Required for Certain Controls, Contact Factory)	1 120V 7 277V	X As Specified	S2 Magnum M9 (Dali)	S5 Enlighted (C2-D2)	O8 Sensor Switch (SFR7)	O10 WattStopper (FS355)	No Option
		47 47" X 47" Square	4000 36" 4500 HTA 4900 5400										
			Custom Sizes	5400 47" 6000 HTA 6600 7200									
			Custom Lumen Packages. Lumen Packages with ASO diffuser. Contact Factory.										

Housings

Extruded aluminum profile in a 0.080-inch wall thickness.

Computer-controlled cutting and TIG welding for zero-tolerance mitered corners.

A one-piece 14GA galvanized steel joiner/aligner bracket is also provided for each corner.

Internal cold-rolled steel components.

Standard or custom hanging points are provided.

A custom formulated non-glare matte-white polyester powder coating provides an extremely durable and long-lasting finish.

Custom color finishes on request.

Diffusers

Seamless fit diffusers. Flawless and consistent end-to-end fit.

Standard diffuser: extruded from custom formulated high transmission white acrylic material. Allows maximum light transmission while eliminating pixilation and hot spots.

Optional diffuser: extruded from acrylic smooth opal material. Offers a more esthetically white appearance. Note: reduces performance by up to 25%.

Smooth finish on both diffusers compliments the architectural elements.

LED Modules

High performance linear configured LED module boards.

Each board consists of multiple mid-power, high efficacy LEDs in a precise layout eliminating the need for supplemental heat sinking.

The boards produce an even and diffuse light which maximizes optical efficiency.



Compatible with the dimming performance of the LED driver.

Color temperatures available 80 CRI: 3000K, 3500K and 4000K. Upon request: 5000K.

Color temperatures available 90 CRI: 2700K, 3000K, 3500K and 4000K.

LED Drivers

Factory programmable constant current LED power supply.

Multiple standard drive current outputs (factory set by Mercury) are cataloged with their corresponding lumen package offerings. Upon request, custom drive current outputs and lumen package options are available.

Note: Certain cataloged lumen package offerings may be provided with a non-programmable constant current LED power supply at Mercury's discretion. Contact factory if critical.

Universal voltage input, 120V-277V, 50HZ-60HZ.

Specification grade dimming down to 1% on 0-10V dimming controls.

Sensor ready (SR) drivers compatible with most lighting controls are optional. Consult factory.

Lutron drivers available: LDE1 and LDE5 series.

Standby Lighting Options

Consult factory for full details.

Integral Lighting Controls

Various lighting controls and sensors are optional. Consult factory.

Installations

Designed to be suspended on cables. Specify **MSQ**

For direct surface mounting to most ceiling types, specify **MSQ1** and consult factory.

All square modules to include job required feed wire as specified.

Standard or custom hanging points will be provided per job specifications.

Certificate of Safety Compliance and Listings

Luminaire: UL and CUL listed 1598 and bears their label. Suitable for damp locations.

Optional: Suitable for wet locations marking is available. Some limitations apply. Contact factory for all details.

Warranty

5-year limited warranty is standard. Special 10-year warranty available on a job-to-job basis. Complete LED warranty terms available at www.mercltg.com.

Actual performance may differ as a result of end-user environment and application.

Most LED luminaires are suitable to operate in ambient temperatures from -20C (-4F) to 25C (77F).

The following exclusions apply: Luminaires with optional standby lighting option, integral lighting controls options, or wireless control options. Consult factory.

LM-79 testing was measured under a controlled 25C (77F) ambient operating temperature.

Hanging Accessories

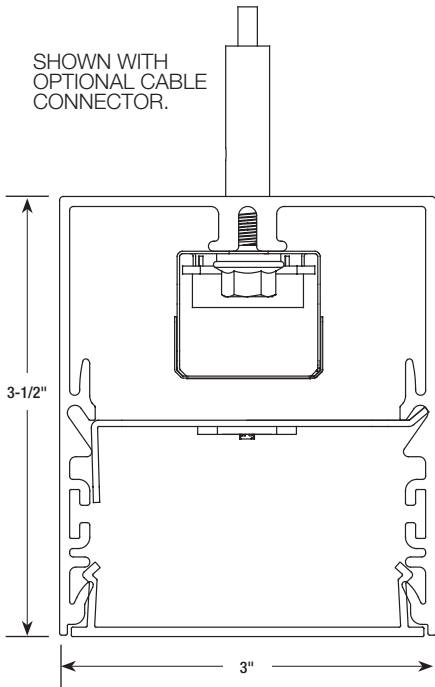
Part #	Description
R5PF-100	Round 5" power feed canopy, Hanging hardware, 100" long 1/16" cable.
R5-100	Round 5" canopy, Hanging hardware, 100" long 1/16" cable.
R2-100	Round 2" canopy, Hanging hardware, 100" long 1/16" cable.
S5PF-100	Square 5" power feed canopy, Hanging hardware, 100" long 1/16" cable.
S5-100	Square 5" canopy, Hanging hardware, 100" long 1/16" cable.
S2-100	Square 2" canopy, Hanging hardware, 100" long 1/16" cable.

Other cable lengths available.

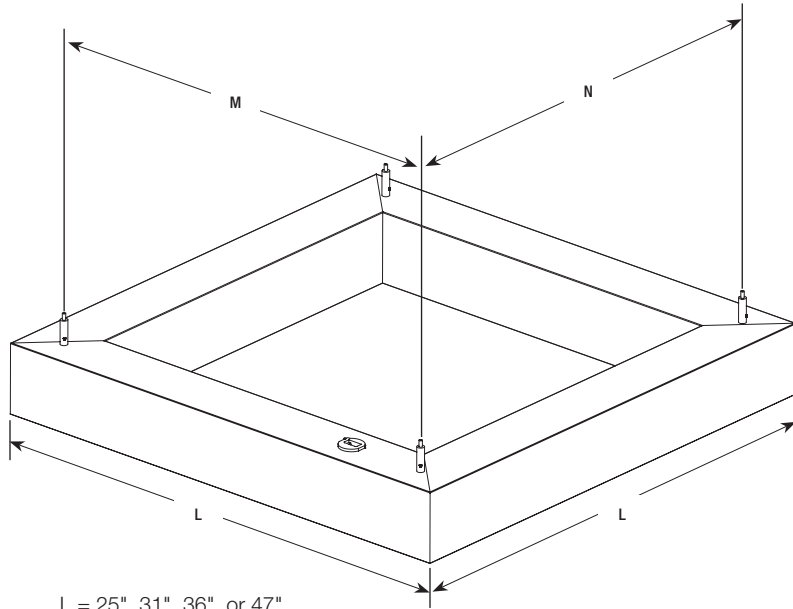
MLS3-MSQ Series | LIGHTSHAPES 3

Architectural Linear LED Illuminating System | Square Modules – Suspended or Surface Mount

Dimensional Data



Mounting Information



L	M	N
25"	21-1/2"	22"
31"	27-1/2"	28"
36"	32-1/2"	33"
47"	43-1/2"	44"

Hanging Accessories

