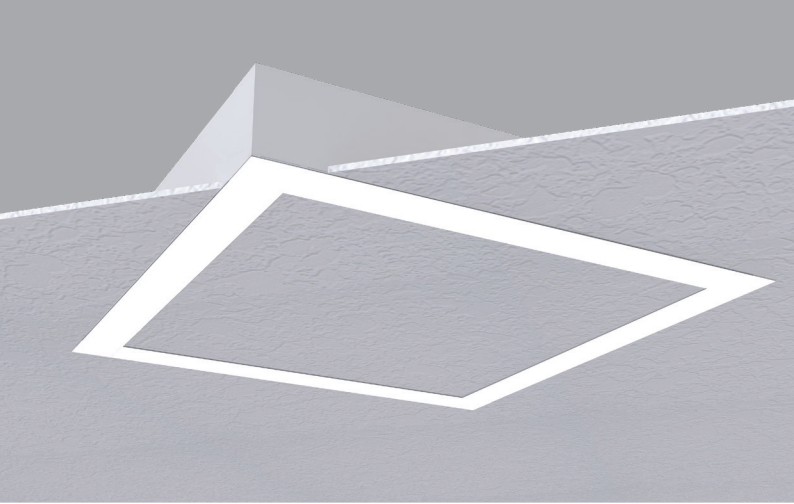


LIGHTSHAPES

MLS2-FSQ SERIES

SQUARE MODULES RECESSED MOUNT FOR DRYWALL CEILINGS

Architectural Linear LED Illuminating System | LIGHTSHAPES 2

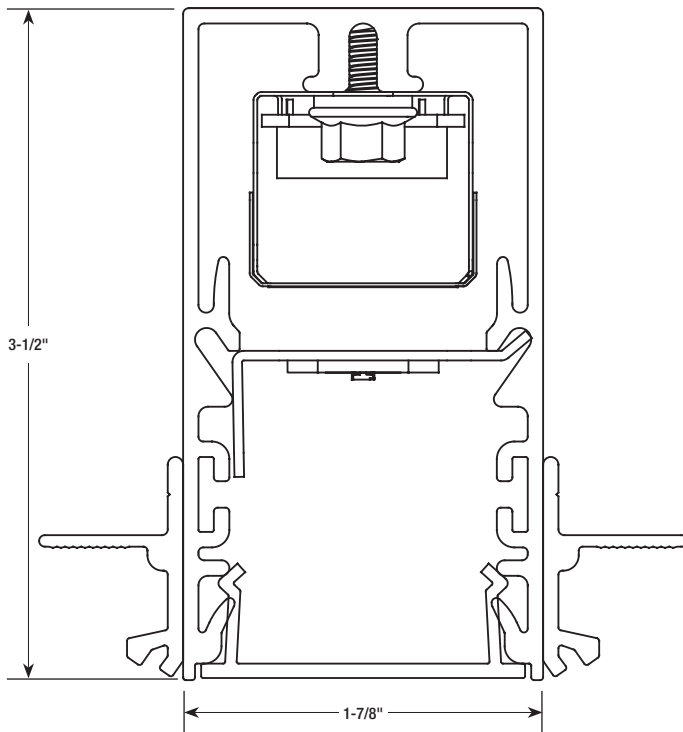


Features

- Fully illuminated square recessed modules.
- Intended for recessing into drywall ceiling types; trimless or overlapping flange trim.
- Extruded aluminum housings and mitered corners for perfectly constructed squares of light.
- Narrow 1-7/8-inch wide profile.
- Standard squares of 24", 30", 35", and 46".
- Custom formulated high diffusion extruded acrylic lenses, mitered at the corners.
- Non-glare matte-white polyester powder coating finish.
- Cataloged standard or custom set lumen packages.
- 80 CRI standard. 90 CRI available.
- Dimming down to 1% on 0-10V controls.
- IC rated.
- Meets the requirements for Chicago Plenum use.
- Fixture lumens per watt ratios up to 91.
- Lighting controls and sensors.
- Custom sizes and other shapes available.
- American Made.



Cross Section (actual size)



Performance

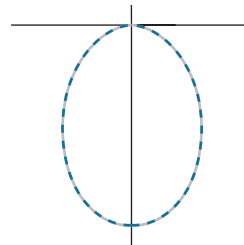
Based on 3500K, 80 CRI, HTA diffuser

Square Size	Nominal Lumen Package	Color	System Watts (W)	Delivered Lumens (L)	Lumens Per Watt (LPW)
24"	2700	35K	31	2700	87
	3000	35K	34	3000	88
	3300	35K	37	3300	89
	3600	35K	41	3600	88
30"	3300	35K	37	3376	91
	3700	35K	42	3749	89
	4100	35K	46	4124	90
	4500	35K	51	4500	88
35"	4000	35K	45	4053	90
	4500	35K	50	4499	90
	4900	35K	56	4951	88
	5400	35K	61	5401	89
46"	5400	35K	62	5400	87
	6000	35K	68	6000	88
	6600	35K	74	6600	89
	7200	35K	82	7200	88

MULTIPLIER For other Color Temp (K)

3000K	97%
3500K	100%
4000K	102%
5000K	103%

Actual performance may differ by +/- 5% when operating between 120V-277V +/- 10%. Consult Factory for 90 CRI performances.



fixture type:

job information:

MLS2-FSQ Series | LIGHTSHAPES 2

Architectural Linear LED Illuminating System | Square Modules – Recessed Mount for Drywall Ceilings

Ex: MLS2-FSQ-24-3600 -35K-HTA-1%-U

MLS2										Options	
Series	Mounting	Square Description	Nominal Lumens	Color Temp	Diffuser	Driver	Voltage	Standby Modules	Lighting Controls	Misc.	
MLS2 LightShapes 2	FSQ Square/Overlapping Flange Trim N5SQ Square/Trimless Plaster-in for 5/8" Drywall N1SQ Square/Trimless Plaster-in for 1/2" Drywall	24 24" X 24" Square	2700	30K	HTA High Transmission Acrylic	1% 0-10V 1% Dimming SR Sensor Ready (Required for Certain Controls, Contact Factory) LDE1 Lutron Hi-Lume LDE5 Lutron 5-Series As Specified	U Uni 120V-277V 1 120V 7 277V X As Specified	Consult Factory	S1 Philips EasySense S2 Magnum M9 (Dali) S5 Enlighted (C2-D2) No Option	WL UL "Suitable for Wet Locations" labeled.	
		30 30" X 30" Square	3000 HTA 3300 3600	35K 40K							
		35 35" X 35" Square	3300 HTA 3700 4100 4500	50K Upon Request 927K 930K 935K 940K							
		46 46" X 46" Square	4000 HTA 4500 4900 5400	90 CRI 5400 HTA 6000 6600 7200							
		Custom Sizes	Custom Lumen Packages. Lumen Packages with ASO diffuser. Contact Factory.								

Housings

Extruded aluminum profile in a 0.080-inch wall thickness.

Computer-controlled cutting and TIG welding for zero-tolerance mitered corners.

A one-piece 14GA galvanized steel joiner/aligner bracket is also provided for each corner.

Internal cold-rolled steel components.

Housing intended for recessing into drywall type ceiling systems.

Trimless housing for plaster-in or overlapping flange trim. See ceiling types section.

A custom formulated non-glare matte-white polyester powder coating provides an extremely durable and long-lasting finish.

Diffusers

Seamless fit diffusers. Flawless and consistent end-to-end fit.

Standard diffuser: extruded from custom formulated high transmission white acrylic material. Allows maximum light transmission while eliminating pixilation and hot spots.

Optional diffuser: extruded from acrylic smooth opal material. Offers a more esthetically white appearance. Note: reduces performance by up to 25%.

Smooth finish on both diffusers compliments the architectural elements.

LED Modules

High performance linear configured LED module boards.

Each board consists of multiple mid-power, high efficacy LEDs in a precise layout eliminating the need for supplemental heat sinking.

The boards produce an even and diffuse light which maximizes optical efficiency.



Compatible with the dimming performance of the LED driver.

Color temperatures available 80 CRI: 3000K, 3500K and 4000K. Upon request: 5000K.

Color temperatures available 90 CRI: 2700K, 3000K, 3500K and 4000K.

LED Drivers

Factory programmable constant current LED power supply.

Multiple standard drive current outputs (factory set by Mercury) are cataloged with their corresponding lumen package offerings. Upon request, custom drive current outputs and lumen package options are available.

Note: Certain cataloged lumens package offerings may be provided with a non-programmable constant current LED power supply at Mercury's discretion. Contact factory if critical.

Universal voltage input, 120V-277V, 50HZ-60HZ.

Specification grade dimming down to 1% on 0-10V dimming controls.

Sensor ready (SR) drivers compatible with most lighting controls are optional. Consult factory.

Lutron drivers available: LDE1 and LDE5 series.

Standby Lighting Options

Consult factory.

Integral Lighting Controls

Various lighting controls and sensors are optional. Consult factory.

Installations

Designed for recessed installation into drywall type ceiling systems.

See ceiling types section for typical installations.

Trimless housing requires plastering-in after installation.

Overlapping trim neatly closes off drywall opening.

Certificate of Safety Compliance and Listings

Luminaire: UL and CUL listed 1598 and bears their label. Suitable for damp locations.

Optional: Suitable for wet locations marking is available. Some limitations apply. Contact factory for all details.

IC rated.

Meets the City of Chicago Environmental Air (CCEA) specifications.

Warranty

5-year limited warranty is standard. Special 10-year warranty available on a job-to-job basis. Complete LED warranty terms available at www.mercltg.com.

Actual performance may differ as a result of end-user environment and application.

Most LED luminaires are suitable to operate in ambient temperatures from -20C (-4F) to 25C (77F).

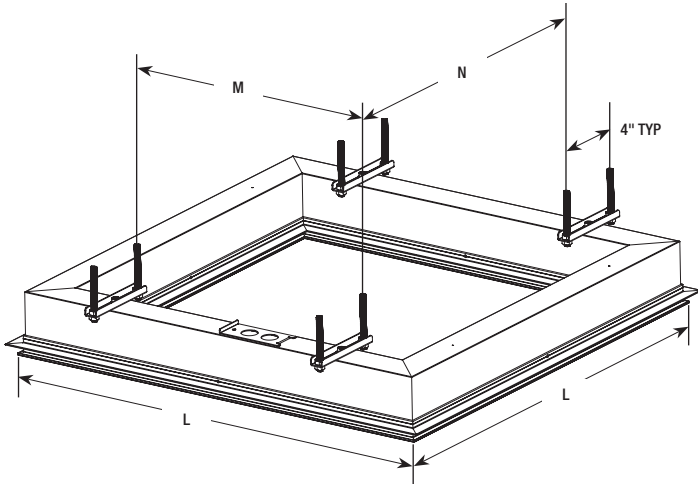
The following exclusions apply: Luminaires with optional standby lighting option, integral lighting controls options, or wireless control options. Consult factory.

LM-79 testing was measured under a controlled 25C (77F) ambient operating temperature.

MLS2-FSQ Series | LIGHTSHAPES 2

Architectural Linear LED Illuminating System | Square Modules – Recessed Mount for Drywall Ceilings

Mounting Information



L	M	N
24"	14"	18-1/4"
30"	30"	24-1/4"
35"	25"	29-1/4"
46"	36"	40-1/4"

