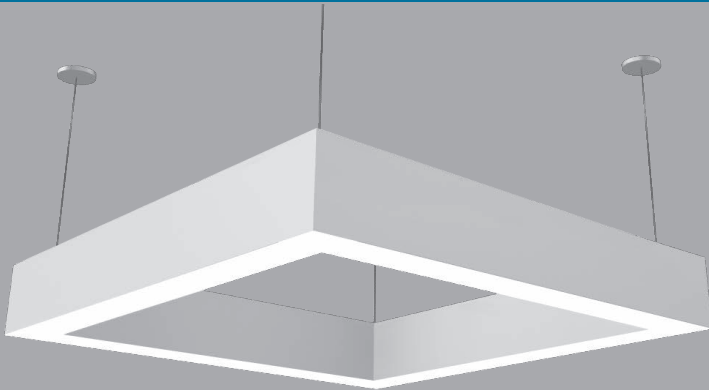


LIGHTSHAPES

MLS2-DISQ SERIES

SQUARE MODULES SUSPENDED DIRECT/INDIRECT

Architectural Linear LED Illuminating System | LIGHTSHAPES 2



New Gen-3 Features:

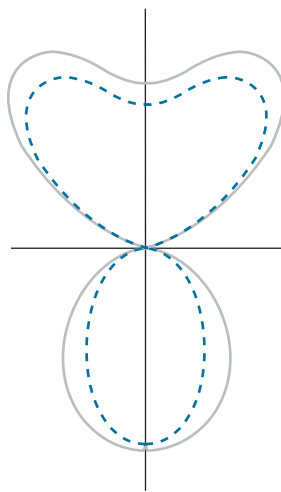
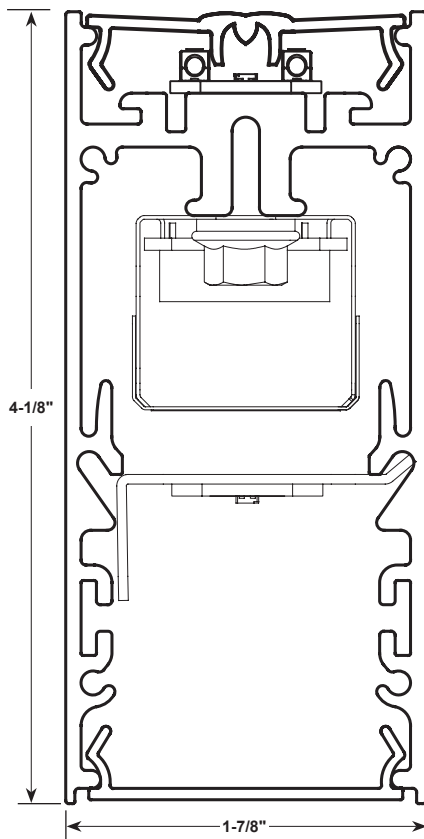
- A new extrusion with a shallower overall height of just 4-1/8".
- A new custom designed batwing-type indirect diffuser. Spreads light from the linear LED boards into two distinct side lobes. When projected onto the ceiling the results are a very consistent and wide spread of indirect illumination.
- New additional drop-down or pop-up diffuser options.

Standard Features:

- Fully illuminated square modules.
- Dual directional illumination. Direct downlighting and indirect uplighting.
- Extruded aluminum housings and mitered corners for perfectly constructed squares of light.
- Narrow profile; 1-7/8-inch width.
- Standard squares of 24", 30", 35" and 46".
- Custom sizes, custom shapes, custom patterns and grids available. Consult factory.
- Proprietary formulated high diffusion extruded acrylic downlighting lens.
- High performance batwing-type uplighting lens.
- Non-glare matte-white polyester powder coating finish.
- Custom colors available.
- Cable mount from ceiling.
- Cataloged standard or custom set lumen packages.
- 80 CRI standard. 90 CRI available.
- Dimming down to 1% on 0-10V controls.
- Fixture lumens per watt ratios up to 139.
- Lighting controls and sensors.
- American Made.



Cross Section (actual size)



Performance

Based on 3500K, 80 CRI, HTA diffuser

Multiplier for other Color Temp (K)

3000K	97%	4000K	102%
3500K	100%	5000K	103%

SQUARE SIZE	Nominal DIRECT Lumen Package	Nominal INDIRECT Lumen Package	Color	System Watts DIRECT (W)	System Watts INDIRECT (W)	Delivered Lumens DIRECT (L)	Delivered Lumens INDIRECT (L)	Lumens Per Watt DIRECT (LPW)	Lumens Per Watt INDIRECT (LPW)
24"	2700	2700	35K	26	20	2722	2703	105	135
	3000	3000	35K	29	22	2976	3030	103	138
	3300	3300	35K	33	24	3330	3303	101	138
	3600	3600	35K	36	27	3622	3622	101	134
30"	3300	3300	35K	32	24	3308	3311	103	138
	3700	3700	35K	36	27	3720	3717	103	138
	4100	4100	35K	41	30	4126	4120	101	137
	4500	4500	35K	45	33	4527	4518	101	137
35"	4000	4000	35K	39	29	4015	4026	103	139
	4500	4500	35K	44	33	4508	4528	102	137
	4900	4900	35K	48	36	4907	4899	102	136
	5400	5400	35K	54	40	5432	5438	101	136
46"	5400	5400	35K	52	40	5413	5401	104	135
	6000	6000	35K	59	44	6011	5992	102	136
	6600	6600	35K	65	48	6601	6601	102	138
	7200	7200	35K	72	54	7214	7202	100	133

Actual performance may differ by +/- 5% when operating between 120V-277V +/- 10%. Consult Factory for 90 CRI performances.



fixture type:		job information:	
---------------	--	------------------	--

MLS2-DISQ Series | LIGHTSHAPES 2

Architectural Linear LED Illuminating System | Square Modules – Suspended Direct/Indirect

Ex: MLS2-DISQ-24-3600-3600-35K-HTA-A15-1%-1C-U

Options

MLS2	DISQ																						
SERIES	MOUNTING	SQUARE DESCRIPTION	LUMENS DIRECT	LUMENS INDIRECT	COLOR TEMP	DIFFUSER/DIRECT	DIFFUSER/INDIRECT	DRIVER	CIRCUITING	VOLTAGE	LIGHTING CONTROLS												
MLS2 Lightshapes 2	DISQ Direct/ Indirect Square Suspended	24 24" X 24" Square	2700 25" 3000 HTA 3300	2700 25" 3000 HTA 3300	80 CRI 30K 35K 40K 50K Upon Request	HTA High Transmission Acrylic	BW Batwing Indirect	1% 0-10V 1% Dimming	1C Single Circuit	U Uni 120V-277V	S1 Philips EasySense												
		30 30" X 30" Square	3300 31" 3700 HTA 4100	3300 31" 3700 HTA 4100																			
		35 35" X 35" Square	4500 36" 4500 HTA 4900	4500 36" 4500 HTA 4900																			
		46 46" X 46" Square	5400 47" 6000 HTA 6600	5400 47" 6000 HTA 6600																			
		Custom Sizes	7200 47" 6000 HTA 6600	7200 47" 6000 HTA 6600																			
			Custom Lumen Packages. Lumen Packages with ASO diffuser. Contact Factory.	Custom Lumen Packages. Lumen Packages with ASO diffuser. Contact Factory.																			

Options Continued

STANDBY MODULES	CUSTOM PAINT COLORS
Consult Factory	As Specified

Housings

Extruded aluminum profile in a 0.080-inch wall thickness.

Computer-controlled cutting and TIG welding for zero-tolerance mitered corners.

A one-piece 14GA galvanized steel joiner/aligner bracket is also provided for each corner.

Internal cold-rolled steel components.

Standard or custom hanging points are provided.

A custom formulated non-glare matte-white polyester powder coating provides an extremely durable and long-lasting finish.

Custom color finishes on request.

Diffusers

Seamless fit diffusers. Flawless and consistent end-to-end fit.

Standard direct diffuser: extruded from custom formulated high transmission white acrylic material. Allows maximum light transmission while eliminating pixilation and hot spots.

Optional direct diffuser: extruded from acrylic smooth opal material. Offers a more esthetically white appearance. Note: reduces performance by up to 25%.

Smooth finish on both diffusers compliments the architectural elements.

Standard indirect diffuser: custom extruded batwing-type that spreads the light in a very consistent and wide beam of illumination.

Additional options: 1/2", 3/4" and 1-1/2" drop style diffusers may be added to the direct position. May also be added to the indirect position as a pop-up diffuser.



LED Modules

High performance linear configured LED module boards.

Each board consists of multiple mid-power, high efficacy LEDs in a precise layout eliminating the need for supplemental heat sinking.

The boards produce an even and diffuse light which maximizes optical efficiency.

Compatible with the dimming performance of the LED driver.

Color temperatures available 80 CRI: 3000K, 3500K and 4000K. Upon request: 5000K.

Color temperatures available 90 CRI: 2700K, 3000K, 3500K and 4000K.

LED Drivers

Factory programmable constant current LED power supply.

Multiple standard drive current outputs (factory set by Mercury) are cataloged with their corresponding lumens package offerings. Upon request, custom drive current outputs and lumens package offerings are available.

Universal voltage input, 120V-277V, 50HZ-60HZ.

Specification grade dimming down to 1% on 0-10V dimming controls.

Sensor ready (SR) drivers compatible with most lighting controls are optional. Consult factory.

Lutron driver available: LDE1 series.

Standby Lighting Options

Consult factory for full details.

Integral Lighting Controls

Various lighting controls and sensors are optional. Consult factory.

Installations

Designed to be suspended on cables.

Easy-connect cable hangers make installations easy.

All modules to include job required feed wire as specified.

Standard or custom hanging points will be provided per job specifications.

Certificate of Safety Compliance and Listings

Luminaire: UL and CUL listed 1598 and bears their label. Suitable for damp locations.

Warranty

5-year limited warranty is standard. Special 10-year warranty available on a job-to-job basis. Complete LED warranty terms available at www.mercltg.com.

Actual performance may differ as a result of end-user environment and application.

Most LED luminaires are suitable to operate in ambient temperatures from -20C (-4F) to 25C (77F).

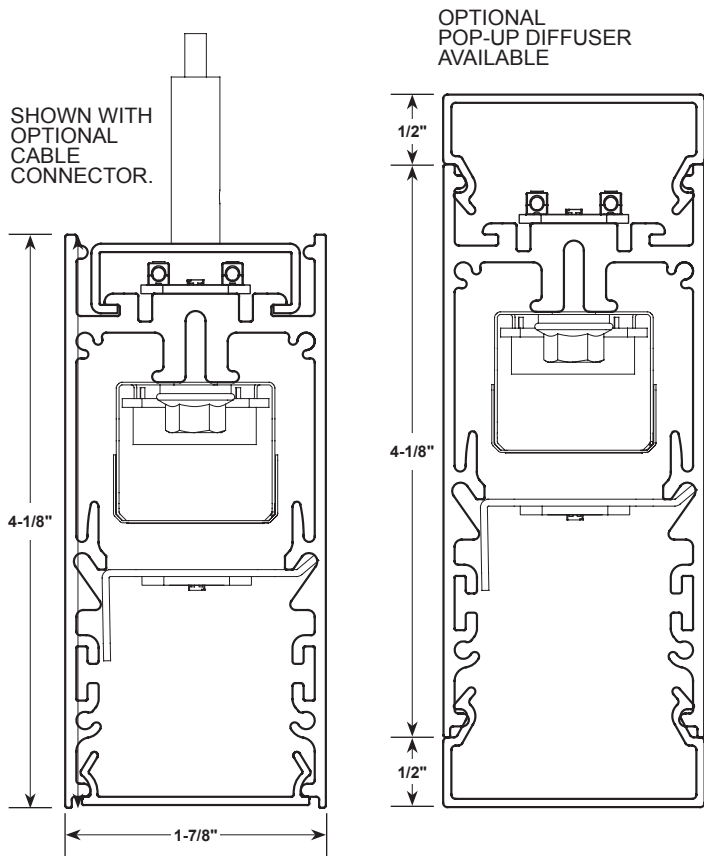
The following exclusions apply: Luminaires with optional standby lighting option, integral lighting controls options, or wireless control options. Consult factory.

LM-79 testing was measured under a controlled 25C (77F) ambient operating temperature.

MLS2-DISQ Series | LIGHTSHAPES 2

Architectural Linear LED Illuminating System | Square Modules – Suspended Direct/Indirect

Dimensional Data



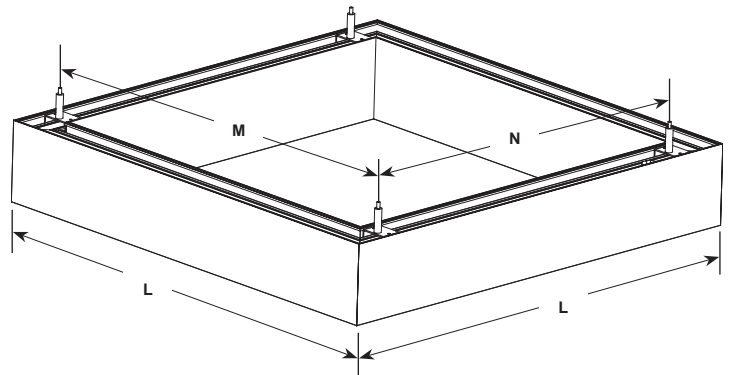
Hanging Accessories

Part #	Description
R5PF-100	Round 5" power feed canopy, Hanging hardware, 100" long 1/16" cable.
R5-100	Round 5" canopy, Hanging hardware, 100" long 1/16" cable.
R2-100	Round 2" canopy, Hanging hardware, 100" long 1/16" cable.
S5PF-100	Square 5" power feed canopy, Hanging hardware, 100" long 1/16" cable.
S5-100	Square 5" canopy, Hanging hardware, 100" long 1/16" cable.
S2-100	Square 2" canopy, Hanging hardware, 100" long 1/16" cable.

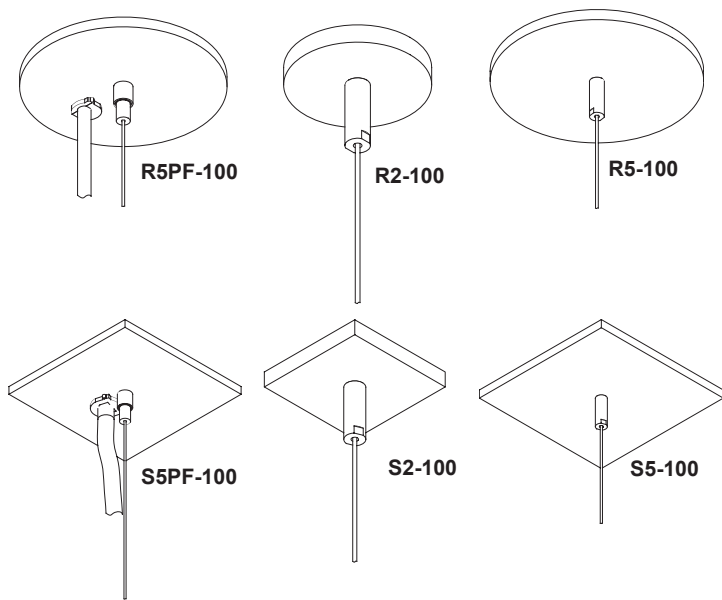
Other cable lengths available.

Mounting Information

Upper diffusers not shown here.



Hanging Accessories



L	M	N
24"	22-1/8"	19-3/4"
30"	28-1/8"	25-3/4"
35"	33-1/8"	30-3/4"
46"	44-1/8"	41-3/4"

