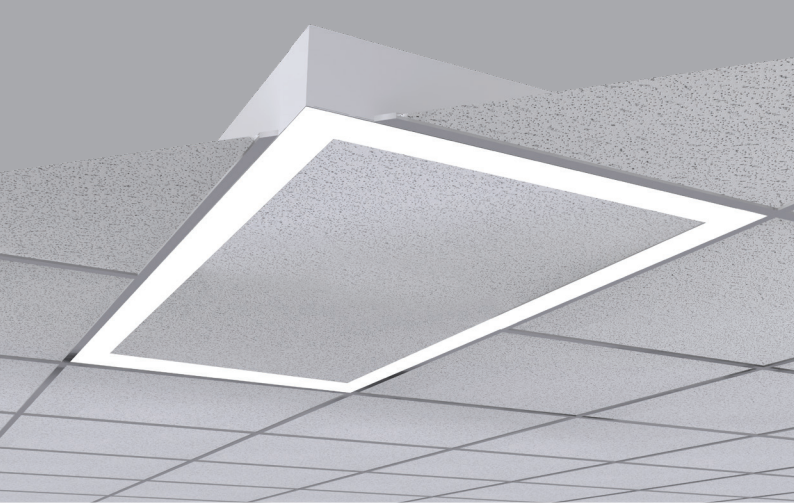


LIGHTSHAPES

MLS2-24G SERIES

2X4 RECTANGULAR MODULES RECESSED MOUNT FOR GRID CEILING

Architectural Linear LED Illuminating System | LIGHTSHAPES 2

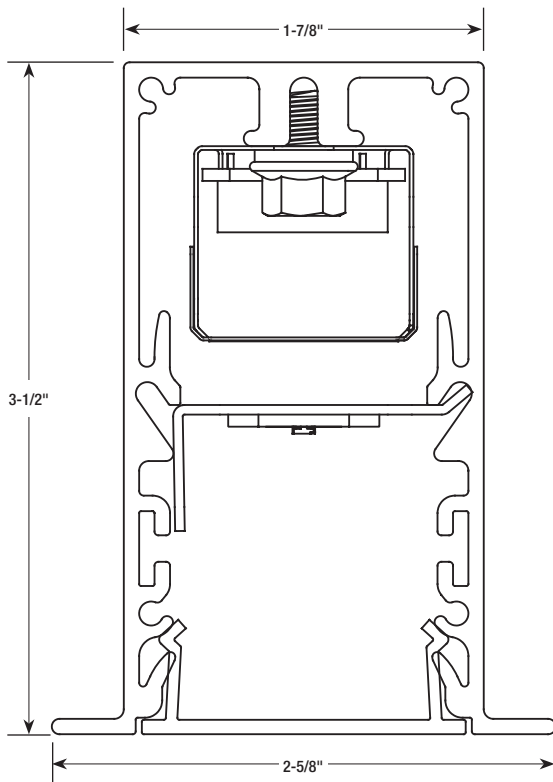


Features

- Fully illuminated rectangular recessed modules.
- Cleanly integrates into a 2X4 grid ceiling, supporting ceiling tile on the luminaire's inside perimeter.
- Extruded aluminum housings and mitered corners for perfectly constructed squares of light.
- Narrow 1-7/8-inch wide profile.
- Custom formulated high diffusion extruded acrylic lenses, mitered at the corners.
- Non-glare matte-white polyester powder coating finish.
- Recessed for various grid ceiling types.
- Cataloged standard or custom set lumen packages.
- 80 CRI standard. 90 CRI available.
- Dimming down to 1% on 0-10V controls.
- IC rated.
- Fixture lumens per watt ratios up to 93.
- Meets the requirements for Chicago Plenum use.
- Lighting controls and sensors.
- American Made.



Cross Section (actual size)



Performance

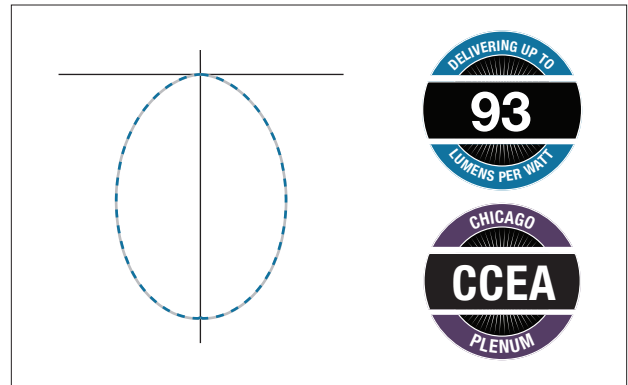
Based on 3500K, 80 CRI, HTA diffuser

Nominal Lumen Package	Color	System Watts (W)	Delivered Lumens (L)	Lumens Per Watt (LPW)
3300	35K	36	3353	93
3600	35K	39	3600	92
4200	35K	47	4216	90
5100	35K	58	5151	89
6000	35K	69	5976	87

MULTIPLIER For other Color Temp (K)

30K	98%
35K	100%
40K	104%
50K	106%

Actual performance may differ by +/- 5% when operating between 120V-277V +/- 10%. Consult Factory for 90 CRI performances.



fixture type:

job information:

MLS2-24G Series | LIGHTSHAPES 2

Architectural Linear LED Illuminating System | 2X4 Rectangular Modules – Recessed Mount for Grid Ceilings

Ex: MLS2-24G-3300-35K-HTA-1%-U-EM7

MLS2		24G		Options						
Series	Module Size/ Ceiling	Nominal Lumens	Color Temp	Diffuser	Driver	Voltage	Standby Modules	Lighting Controls	Misc.	
MLS2 LightShapes 2	24G 2X4 Module/NEMA Type G/Lay-In Grid, 1" or 9/16" Fine Line.	3300 3600 HTA 4200 5100 6000 Custom Lumen Packages. Lumen Packages with ASO diffuser. Contact Factory.	30K 35K 40K 50K Upon Request 927K 90 CRI 930K 935K 940K	HTA High Transmission Acrylic ASO Acrylic Smooth Opal (Performance is reduced with this diffuser)	1% 0-10V 1% Dimming SR Sensor Ready (Required for Certain Controls, Contact Factory) LDE1 Lutron Hi-Lume LDE5 Lutron 5-Series As Specified	U Uni 120V-277V 1 120V 7 277V X As Specified	EM7 EM10 EM12	S1 Philips EasySense S2 Magnum M9 (Dali) S5 Enlighted (C2-D2) No Option	WL UL "Suitable for Wet Locations" labeled.	

Housings

Extruded aluminum profile in a 0.080-inch wall thickness.

Computer-controlled cutting and TIG welding for zero-tolerance mitered corners.

A one-piece 14GA galvanized steel joiner/aligner bracket is also provided for each corner.

Internal cold-rolled steel components.

Housing intended for recessing into grid type ceiling systems.

Easy-use grid pry-outs provided.

A custom formulated non-glare matte-white polyester powder coating provides an extremely durable and long-lasting finish.

Diffusers

Seamless fit diffusers. Flawless and consistent end-to-end fit.

Standard diffuser: extruded from custom formulated high transmission white acrylic material. Allows maximum light transmission while eliminating pixilation and hot spots.

Optional diffuser: extruded from acrylic smooth opal material. Offers a more esthetically white appearance. Note: reduces performance by up to 25%.

Smooth finish on both diffusers compliments the architectural elements.

LED Modules

High performance linear configured LED module boards.

Each board consists of multiple mid-power, high efficacy LEDs in a precise layout eliminating the need for supplemental heat sinking.

The boards produce an even and diffuse light which maximizes optical efficiency.

Compatible with the dimming performance of the LED driver.

Color temperatures available 80 CRI: 3000K, 3500K and 4000K. Upon request: 5000K.

Color temperatures available 90 CRI: 2700K, 3000K, 3500K and 4000K.

LED Drivers

Factory programmable constant current LED power supply.

Multiple standard drive current outputs (factory set by Mercury) are cataloged with their corresponding lumen package offerings. Upon request, custom drive current outputs and lumen package options are available.

Note: Certain cataloged lumen package offerings may be provided with a non-programmable constant current LED power supply at Mercury's discretion. Contact factory if critical.

Universal voltage input, 120V-277V, 50HZ-60HZ.

Specification grade dimming down to 1% on 0-10V dimming controls.

Sensor ready (SR) drivers compatible with most lighting controls are optional. Consult factory.

Lutron drivers available: LDE1 and LDE5 series.

Standby Lighting Options

Self-contained module, 7W, 10W, or 12W as specified.

Battery backup upon loss of power.

Integral Lighting Controls

Various lighting controls and sensors are optional. Consult factory.

Installations

Designed for recessed installation into acoustical grid ceiling systems.

Available for 15/16" grid or 9/16" grid.

Grid pry-outs lock over top of gridwork. Auxiliary suspension required to building structure.

Wiring access plate provided on top.

Certificate of Safety Compliance and Listings

Luminaire: UL and CUL listed 1598 and bears their label. Suitable for damp locations.

Optional: Suitable for wet locations marking is available. Some limitations apply. Contact factory for all details.

IC rated.

Meets the City of Chicago Environmental Air (CCEA) specifications.

Warranty

5-year limited warranty is standard. Special 10-year warranty available on a job-to-job basis. Complete LED warranty terms available at www.mercltg.com.

Actual performance may differ as a result of end-user environment and application.

Most LED luminaires are suitable to operate in ambient temperatures from -20C (-4F) to 25C (77F).

The following exclusions apply: Luminaires with optional standby lighting option, integral lighting controls options, or wireless control options. Consult factory.

LM-79 testing was measured under a controlled 25C (77F) ambient operating temperature.



MLS2-24G Series | LIGHTSHAPES 2

Architectural Linear LED Illuminating System | 2X4 Rectangular Modules – Recessed Mount for Grid Ceilings

Mounting Information/Dimensional Data

