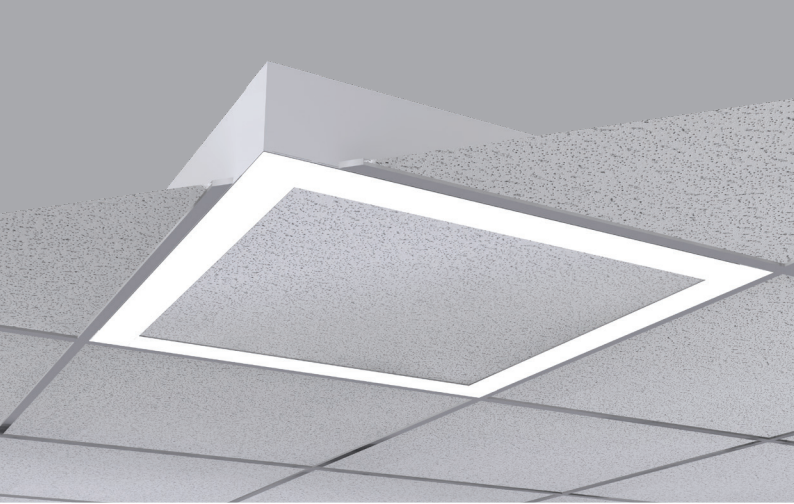


# LIGHTSHAPES

## MLS2-22G SERIES

## 2X2 SQUARE MODULES RECESSED MOUNT FOR GRID CEILINGS

### Architectural Linear LED Illuminating System | LIGHTSHAPES 2

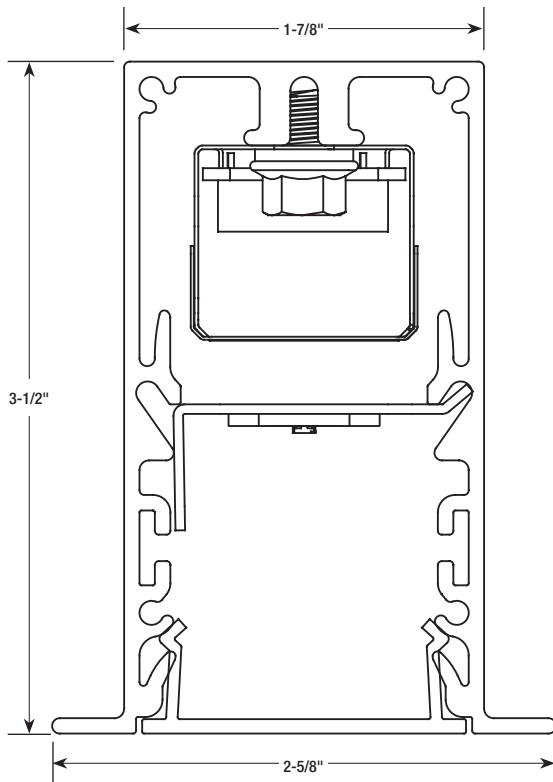


#### Features

- Fully illuminated square recessed modules.
- Cleanly integrates into a 2X2 grid ceiling, supporting ceiling tile on the luminaire's inside perimeter.
- Extruded aluminum housings and mitered corners for perfectly constructed squares of light.
- Narrow 1-7/8-inch wide profile.
- Custom formulated high diffusion extruded acrylic lenses, mitered at the corners.
- Non-glare matte-white polyester powder coating finish.
- Recessed for various grid ceiling types.
- Cataloged standard or custom set lumen packages.
- 80 CRI standard. 90 CRI available.
- Dimming down to 1% on 0-10V controls.
- IC rated.
- Fixture lumens per watt ratios up to 90.
- Meets the requirements for Chicago Plenum use.
- Lighting controls and sensors.
- American Made.



#### Cross Section (actual size)



#### Performance

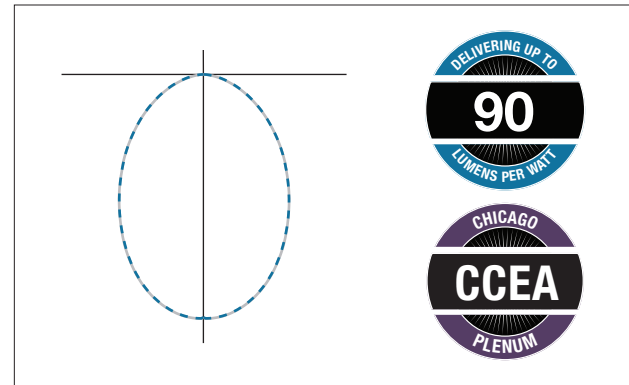
Based on 3500K, 80 CRI, HTA diffuser

Nominal Lumen Package	Color	System Watts (W)	Delivered Lumens (L)	Lumens Per Watt (LPW)
2700	35K	30	2710	90
3000	35K	34	3028	89
3300	35K	38	3312	87
3600	35K	42	3636	87
4100	35K	48	4158	87

MULTIPLIER For other Color Temp (K)

30K	98%
35K	100%
40K	104%
50K	106%

Actual performance may differ by +/- 5% when operating between 120V-277V +/- 10%. Consult Factory for 90 CRI performances.



fixture type:

job information:

# MLS2-22G Series | LIGHTSHAPES 2

Architectural Linear LED Illuminating System | 2X2 Square Modules – Recessed Mount for Grid Ceilings

Ex: MLS2-22G-3300-35K-HTA-1%-U

MLS2		22G		Options					
Series	Module Size/ Ceiling	Nominal Lumens	Color Temp	Diffuser	Driver	Voltage	Standby Modules	Lighting Controls	Misc.
MLS2 LightShapes 2	22G 2X2 Module/NEMA Type G/Lay-In Grid, 1" or 9/16" Fine Line.	2700 3000 HTA 3300 3600 4100  Custom Lumen Packages. Lumen Packages with ASO diffuser. Contact Factory.	30K 35K 40K  50K Upon Request  90 CRI 927K 930K 935K 940K	HTA High Transmission Acrylic  ASO Acrylic Smooth Opal (Performance is reduced with this diffuser)	1% 0-10V 1% Dimming  SR Sensor Ready (Required for Certain Controls, Contact Factory)  LDE1 Lutron Hi-Lume  LDE5 Lutron 5-Series  As Specified	U Uni 120V-277V  1 120V  7 277V  X As Specified	Consult Factory	S1 Philips EasySense  S2 Magnum M9 (Dali)  S5 Enlighted (C2-D2)  No Option	WL UL "Suitable for Wet Locations" labeled.

## Housings

Extruded aluminum profile in a 0.080-inch wall thickness.

Computer-controlled cutting and TIG welding for zero-tolerance mitered corners.

A one-piece 14GA galvanized steel joiner/aligner bracket is also provided for each corner.

Internal cold-rolled steel components.

Housing intended for recessing into grid type ceiling systems.

Easy-use grid pry-outs provided.

A custom formulated non-glare matte-white polyester powder coating provides an extremely durable and long-lasting finish.

## Diffusers

Seamless fit diffusers. Flawless and consistent end-to-end fit.

Standard diffuser: extruded from custom formulated high transmission white acrylic material. Allows maximum light transmission while eliminating pixilation and hot spots.

Optional diffuser: extruded from acrylic smooth opal material. Offers a more esthetically white appearance. Note: reduces performance by up to 25%.

Smooth finish on both diffusers compliments the architectural elements.

## LED Modules

High performance linear configured LED module boards.

Each board consists of multiple mid-power, high efficacy LEDs in a precise layout eliminating the need for supplemental heat sinking.

The boards produce an even and diffuse light which maximizes optical efficiency.

Compatible with the dimming performance of the LED driver.

Color temperatures available 80 CRI: 3000K, 3500K and 4000K. Upon request: 5000K.

Color temperatures available 90 CRI: 2700K, 3000K, 3500K and 4000K.

## LED Drivers

Factory programmable constant current LED power supply.

Multiple standard drive current outputs (factory set by Mercury) are cataloged with their corresponding lumen package offerings. Upon request, custom drive current outputs and lumen package options are available.

Note: Certain cataloged lumen package offerings may be provided with a non-programmable constant current LED power supply at Mercury's discretion. Contact factory if critical.

Universal voltage input, 120V-277V, 50HZ-60HZ.

Specification grade dimming down to 1% on 0-10V dimming controls.

Sensor ready (SR) drivers compatible with most lighting controls are optional. Consult factory.

Lutron drivers available: LDE1 and LDE5 series.

## Standby Lighting Options

Consult factory.

## Integral Lighting Controls

Various lighting controls and sensors are optional. Consult factory.

## Installations

Designed for recessed installation into acoustical grid ceiling systems.

Available for 15/16" grid or 9/16" grid.

Grid pry-outs lock over top of gridwork. Auxiliary suspension required to building structure.

Wiring access plate provided on top.

## Certificate of Safety Compliance and Listings

Luminaire: UL and CUL listed 1598 and bears their label. Suitable for damp locations.

Optional: Suitable for wet locations marking is available. Some limitations apply. Contact factory for all details.

IC rated.

Meets the City of Chicago Environmental Air (CCEA) specifications.

## Warranty

5-year limited warranty is standard. Special 10-year warranty available on a job-to-job basis. Complete LED warranty terms available at [www.mercltg.com](http://www.mercltg.com).

Actual performance may differ as a result of end-user environment and application.

Most LED luminaires are suitable to operate in ambient temperatures from -20C (-4F) to 25C (77F).

The following exclusions apply: Luminaires with optional standby lighting option, integral lighting controls options, or wireless control options. Consult factory.

LM-79 testing was measured under a controlled 25C (77F) ambient operating temperature.



# MLS2-22G Series | LIGHTSHAPES 2

Architectural Linear LED Illuminating System | 2X2 Square Modules – Recessed Mount for Grid Ceilings

## Mounting Information/Dimensional Data

