



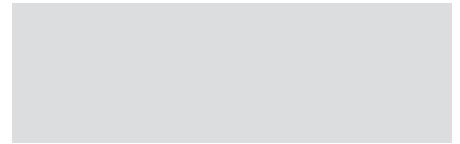
LSA SERIES

Diffuser Enclosed Linear LED Luminaire

Fixture Type:



Job Information:



FEATURES:

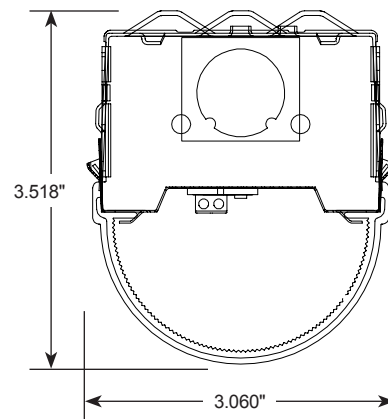
- Shallow form linear ambient LED luminaire.
- Module lengths of 24", 46" and 92".
- Small-scale rounded profile acrylic diffuser evenly surrounds the LED light source.
- One-piece diffuser runs the entire luminaire length. No joiners used.
- Custom formulated high diffusion frosted acrylic material allows for maximum light transmission while eliminating pixilation and hot spots.
- Compact design complies with all ADA requirements for public areas.
- Digital LED technology provides high efficacy and energy efficiency.
- Lumen maintenance; Reported L70 (hours) & L80 (hours) > 60,000.
- CRI greater than 80.
- Fixture lumens per watt ratios up to 130.
- Optional wire guard for diffuser protection.
- American Made.



NEW FEATURES:

- Power over Ethernet (PoE) enabled as an Igor Ecosystem Partner.
- Tunable white feature for standard system or PoE system.

CROSS SECTION:



LSA SERIES

EX: LSA-4-5700-35K-HTA-1%-UNI

LSA			HTA			UNI			OPTIONS	
SERIES	NOMINAL LENGTH (FT)	NOMINAL LUMENS	COLOR TEMP	DIFFUSER	DRIVER	VOLTAGE	STANDBY MODULES	INTEGRAL LIGHTING CONTROLS		
LSA Diffuser Enclosed Linear LED Luminaire	2 24" Length	24"L 2300 2800	30K 35K 40K 50K	HTA High Transmission Acrylic	1% 0-10V 1% Dimming	UNI	EM7 EM10 EM10 BSL310 (Philips) EM12	O1 Leviton OSFHU mounts externally on the luminaire end.		
	4 46" Length	46"L 3300 4000 5200 5700	TW 27K-65K							
	8 92" Length	92"L 6000 8000 11,400	As Specified							
		XXXX Custom Lumen Package. Contact Factory.	Igor Node As Specified.							
							Available on 4ft. and 8Ft. Modules Only.			

LED MODULES:

- High performance linear configured LED module boards.
- Each board consists of multiple mid-power, high efficacy LEDs in a precise layout eliminating the need for supplemental heat sinking.
- The boards produce an even and diffuse light which maximizes optical efficiency.
- Compatible with the dimming performance of the LED driver.
- Color temperatures available: 3000K, 3500K, 4000K and 5000K.

LED DRIVERS:

- Factory programmable constant current LED power supply.
- Multiple standard drive current outputs (factory set by Mercury) are cataloged with their corresponding lumen package offerings. Upon request, custom drive current outputs and lumen packages are available.
- Note: Certain cataloged lumen packages may be provided with a non-programmable constant current LED power supply at Mercury's discretion. Contact factory if critical.
- Universal voltage input, 120V-277V, 50HZ-60HZ.
- Specification grade continuous dimming capability down to 1% on 0-10V dimming controls.

TUNABLE WHITE OPTION:

- Field tunable range 2700K through 6500K.
- 80CRI.

POE NODES BY IGOR:

- All IGOR nodes sized to fit as an integral component.
- Up to 75W maximum allows for one CAT5E wire per 8-ft. luminaire.
- Factory programmable for custom drive currents offering desired lumen-per foot performances.
- Dimmable down to 1%.
- Nodes compatible with external sensors.

LED LUMEN PACKAGES:

- Cataloged standard lumen packages. See attached chart for full details.
- Custom lumen packages pre-set are optional with programmable drivers only. Contact factory for details.

HOUSING:

- Fabricated from code grade cold rolled steel with a white polyester finish for long lasting durability.
- Sufficient electrical knockouts are provided on the housing back and ends.

DIFFUSER:

- Small-scale rounded profile design.
- Extruded from frosted acrylic material.
- Linear ribbing for high LED performance.
- One-piece diffuser runs the entire luminaire length. No joiners used.

STANDBY LIGHTING OPTION:

- Self-contained module, 7W, 10W or 12W as specified. Battery backup upon loss of power. Available 4Ft. and 8Ft. modules only.
- IGOR emergency nodes available.

OPTIONAL INTEGRAL LIGHTING CONTROLS:

- Self-contained motion sensors mount directly to luminaire.
- See ordering matrix for available sensors.

INSTALLATIONS:

- May be installed in any direction, individually or in continuous run applications.
- May be surface mounted or suspended.
- End knockouts for surface conduit entry.

CERTIFICATE OF SAFETY COMPLIANCE AND LISTINGS:

- Luminaire: UL and CUL listed 1598 and bears their label. Suitable for damp locations.

WARRANTY:

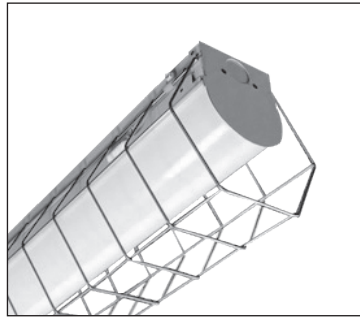
- 5-year limited warranty. Complete LED warranty terms available at www.mercltg.com.
- Actual performance may differ as a result of end-user environment and application.



LSA SERIES



Detail



Wire Guard

HANGING ACCESSORIES/LUMINAIRE ACCESSORIES

PART #	DESCRIPTION	PART #	DESCRIPTION
R5PF-100	Round 5" power feed canopy, Hanging hardware, 100" long 1/16" cable.	VH-XX	"V" Hanger w/XX= 48"L or 72"L Chain & "S" Hook
R5-100	Round 5" canopy, Hanging hardware, 100" long 1/16" cable.	CPYS-1	S-1 Single Stem 5" Dia. Canopy
R2-100	Round 2" canopy, Hanging hardware, 100" long 1/16" cable.	STMXX	XX= 12"L, 24"L, 48"L Stem/ 3/8" IPS-5/8" OD
S5PF-100	Square 5" power feed canopy, Hanging hardware, 100" long 1/16" cable.	WG-LSA-4	46" Wire Guard
S5-100	Square 5" canopy, Hanging hardware, 100" long 1/16" cable.		Other cable lengths available.
S2-100	Square 2" power feed canopy, Hanging hardware, 100" long 1/16" cable.		

PHOTOMETRICS

All photometric reports are available at mercltg.com.

LUMEN PACKAGE

Series	Nominal Length (FT)	Nominal Lumen Package	Color	Fixture Power (W)	Delivered Lumens	Fixture LPW	Standby EM
LSA	2						
		2300	3000K	20	2223	111	-
		2300	3500K	20	2247	112	-
		2300	4000K	20	2341	117	-
		2300	5000K	20	2365	118	-
		2800	3000K	25	2724	109	-
		2800	3500K	25	2753	110	-
		2800	4000K	25	2869	115	-
		2800	5000K	25	2898	116	-

Series	Nominal Length (FT)	Nominal Lumen Package	Color	Fixture Power (W)	Delivered Lumens	Fixture LPW	Standby EM
LSA	4						
		3300	3000K	26	3170	122	✓
		3300	3500K	26	3203	123	✓
		3300	4000K	26	3338	128	✓
		3300	5000K	26	3372	130	✓
		4000	3000K	33	3853	117	✓
		4000	3500K	33	3894	118	✓
		4000	4000K	33	4058	123	✓
		4000	5000K	33	4099	124	✓
		5200	3000K	45	4977	111	✓
		5200	3500K	45	5030	112	✓
		5200	4000K	45	5241	116	✓
		5200	5000K	45	5294	118	✓
		5700	3000K	50	5449	109	✓
		5700	3500K	50	5507	110	✓
		5700	4000K	50	5739	115	✓
		5700	5000K	50	5797	116	✓

Series	Nominal Length (FT)	Nominal Lumen Package	Color	Fixture Power (W)	Delivered Lumens	Fixture LPW	Standby EM
LSA	8						
		6000	3000K	47	5720	122	✓
		6000	3500K	47	5781	123	✓
		6000	4000K	47	6024	128	✓
		6000	5000K	47	6085	129	✓
		8000	3000K	66	7657	116	✓
		8000	3500K	66	7738	117	✓
		8000	4000K	66	8064	122	✓
		8000	5000K	66	8145	123	✓
		11400	3000K	99	10,898	110	✓
		11400	3500K	99	11,014	111	✓
		11400	4000K	99	11,477	116	✓
		11400	5000K	99	11,593	117	✓

Actual wattage may differ by +/- 5% when operating between 120V-277V +/- 10%.

