

Features:

- Network Powered Lighting via smartengine by wtec.
- Tunable White feature via smartengine’s human centric smart lighting.
- Shallow form linear ambient LED luminaire.
- Larger-scale rounded profile acrylic diffuser evenly surrounds the LED light source enabling a very wide and near-perfect light distribution.
- Compact design complies with all ADA requirements for public areas.
- Custom formulated high diffusion acrylic material allows for maximum light transmission while eliminating pixilation and hot spots.
- Optional integral side reflectors add both function and architectural contour.
- Nominal 4Ft., or 8Ft. long modules.
- Digital LED technology provides high efficacy and energy efficiency.
- Multiple power and light levels are offered as standard to allow meeting design and energy needs per application. Custom factory set levels available on request.
- Lumen maintenance; Reported L70 (hours) & L80 (hours) > 60,000.
- CRI greater than 80.
- Fixture lumens per watt ratios up to 149.
- American Made.



Fixture Type:

Job Information:





Optional

LW14					HTA		
SERIES	NOMINAL LENGTH (FT)	DRIVE CURRENT	LUMEN OUTPUT	NUMBER OF CHANNELS	COLOR TEMP	DIFFUSER	SIDE REFLECTORS
LW14 Architectural Linear Ambient LED Luminaire	4 45" Length	350	2230L / 17W	1 CH	30K 35K 40K	HTA High Transmission Acrylic	SR Symmetric Function Set of 2 Side Reflectors
		500	3150L / 23W	1 CH			
		45"L 700	4330L / 33W	45"L 1 CH			
	6300L / 46W		2 CH				
	8660L / 66W		2 CH				
	96"L 500	3210L / 22W	1 CH	50K Upon Request			
		700	4460L / 31W		96"L 1 CH		
		1000	6300L / 46W		2 CH		
	1400	8660L / 66W	2 CH	TW 27K-65K			
	XXXX Custom Lumen Package. Contact Factory.	XXXX Custom Lumen Package. Contact Factory.	XXXX Custom Lumen Package. Contact Factory.		XXXX Custom Lumen Package. Contact Factory.		
						XXXX Custom Lumen Package. Contact Factory.	XXXX Custom Lumen Package. Contact Factory.
				XXXX Custom Lumen Package. Contact Factory.			

LED Modules

- High performance linear configured LED module boards.
- Each board consists of multiple mid-power, high efficacy LEDs in a precise layout eliminating the need for supplemental heat sinking.
- The boards produce an even and diffuse light which maximizes optical efficiency.
- Color temperatures available: 3000K, 3500K and 4000K.
- Upon request: 5000K.

smartengine

- Network Powered Lighting delivers 18-48V and 150-700mA to power control light fixtures from a central smartengine device.
- No driver, node or active component at the fixture level.
- Factory or field programmable for custom drive currents offering desired lumen-per-foot performance.
- Integrated smartsensor or an RJ45 whip for external smartsensor.
- Smartsensor provides temperature, motion, light level, energy consumption and optimal BLE.
- Each channel will require a home run back to the smartengine.

Emergency Lighting- Optional

- smartengine is UL924 Listed.

Tunable White Option

- Field tunable range 2700K through 6500K.
- 80 CRI.

LED Lumen Package

- Cataloged standard lumen packages. See attached chart for full details.
- Custom lumen packages pre-set are optional with programmable drivers only. Contact factory for details.

Housing

- Fabricated from heavy gauge code grade cold rolled steel with a white polyester powder coating finish for long lasting durability.
- Housing ends are welded into place.
- Sufficient electrical knockouts are provided on the housing back and ends.

Reflector Options

- Side reflectors are factory installed or can be field installed to the housing.
- May be used individually for one-side asymmetric function or in pairs for dual-side symmetric function.
- Aperture option; a series of architectural apertures allows a segment of up lighting.

Diffuser

- Larger-scale rounded profile design.
- Extruded from custom formulated high transmission acrylic material.
- Linear ribbing for high LED performance.

Installations

- May be installed in any direction, individually or in continuous run applications.
- May be surface mounted or suspended.
- End knockouts for surface conduit entry.

Certificate of Safety Compliance and Listings

- Luminaire: UL and CUL listed 1598 and bears their label. Suitable for damp locations.

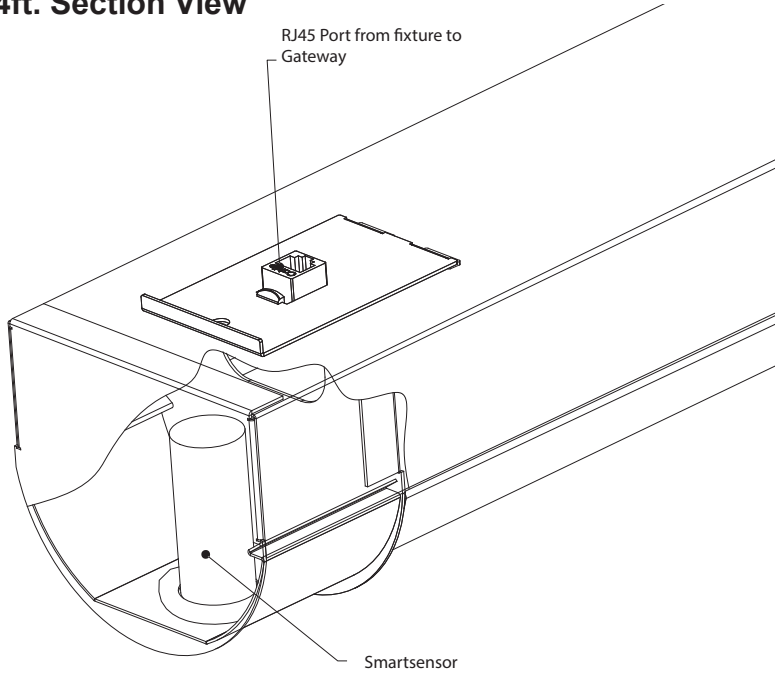
Warranty

- 5-year limited warranty is standard. Special 10-year warranty available on a job-to-job basis. Complete LED warranty terms available at www.mercltg.com.
- Actual performance may differ as a result of end-user environment and application.
- Most LED luminaires are suitable to operate in ambient temperatures from -20C (-4F) to 25C (77F).
- The following exclusions apply: Luminaires with standby lighting options or wireless control options. Consult Factory.
- LM-79 testing was measured under a controlled 25C (77F) ambient operating temperature.





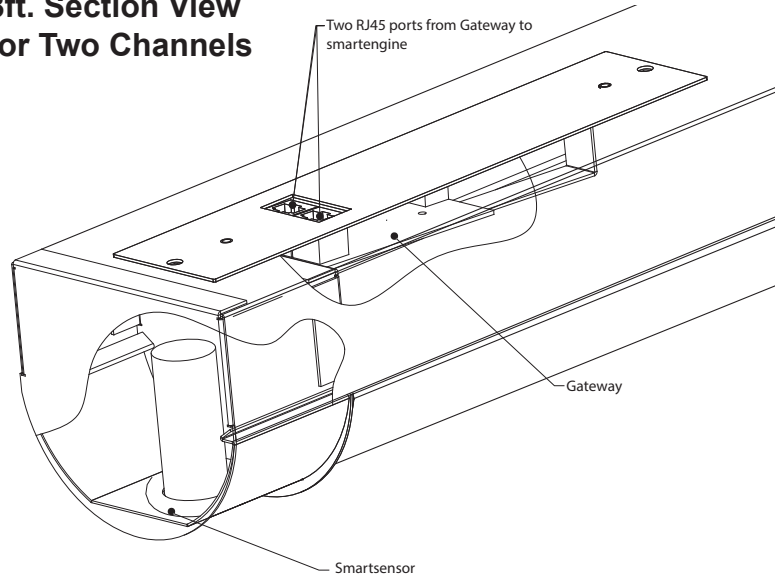
4ft. Section View



Lumen Package

SERIES	NOMINAL LENGTH (FT)	NOMINAL LUMEN PACKAGE	COLOR	FIXTURE POWER (W)	DELIVERED LUMENS	FIXTURE LPW
LW14	4	2230	3000	17	2165	129
		2230	3500	17	2232	133
		2230	4000	17	2277	136
		2230	5000	17	2299	137
	3150	3000	23	3053	134	
		3500	23	3147	139	
		4000	23	3210	141	
		5000	23	3241	143	
	4330	3000	33	4198	130	
		3500	33	4328	134	
		4000	33	4415	137	
		5000	33	4458	138	
6300	3000	46	6105	134		
	3500	46	6294	139		
	4000	46	6420	141		
	5000	46	6483	143		
8660	3000	66	8396	130		
	3500	66	8656	134		
	4000	66	8829	137		
	5000	66	8916	138		

8ft. Section View for Two Channels



SERIES	NOMINAL LENGTH (FT)	NOMINAL LUMEN PACKAGE	COLOR	FIXTURE POWER (W)	DELIVERED LUMENS	FIXTURE LPW
LW14	8	3210	3000	22	3114	142
		3210	3500	22	3210	146
		3210	4000	22	3274	149
		3210	5000	22	3306	150
	4460	3000	31	4430	140	
		3500	31	4464	144	
		4000	31	4553	147	
		5000	31	4598	148	
	6300	3000	46	6105	134	
		3500	46	6294	139	
		4000	46	6420	141	
		5000	46	6483	143	
8660	3000	66	8396	130		
	3500	66	8656	134		
	4000	66	8829	137		
	5000	66	8916	138		

Actual wattage may differ by +/- 5% when operating between 120V-277 +/- 10%.

Hanging Accessories

Part #	Description	Part #	Description
R5PF-100	Round 5" power feed canopy, Hanging hardware, 100" long 1/16" cable.	VH-XX	"V" Hanger w/XX=48"L or 72"L Chain & "S" Hook
R5-100	Round 5" canopy, Hanging hardware, 100" long 1/16" cable.	CPYS-1	S-1 Single Stem 5" Dia. Canopy
R2-100	Round 2" canopy, Hanging hardware, 100" long 1/16" cable.	STMXX	XX=12"L, 48"L Stem/ 3/8" IPS-5/8" OD
S5PF-100	Square 5" power feed canopy, Hanging hardware, 100" long 1/16" cable.	Other cable lengths available.	
S5-100	Square 5" canopy, Hanging hardware, 100" long 1/16" cable.		
S2-100	Square 2" canopy, Hanging hardware, 100" long 1/16" cable.		

Photometrics

All photometric reports are available at mercltg.com.

