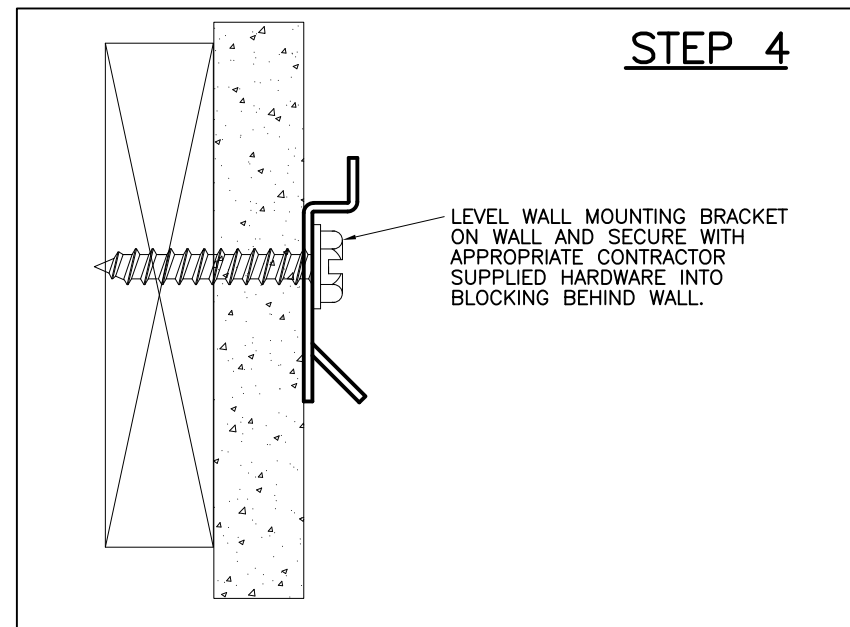
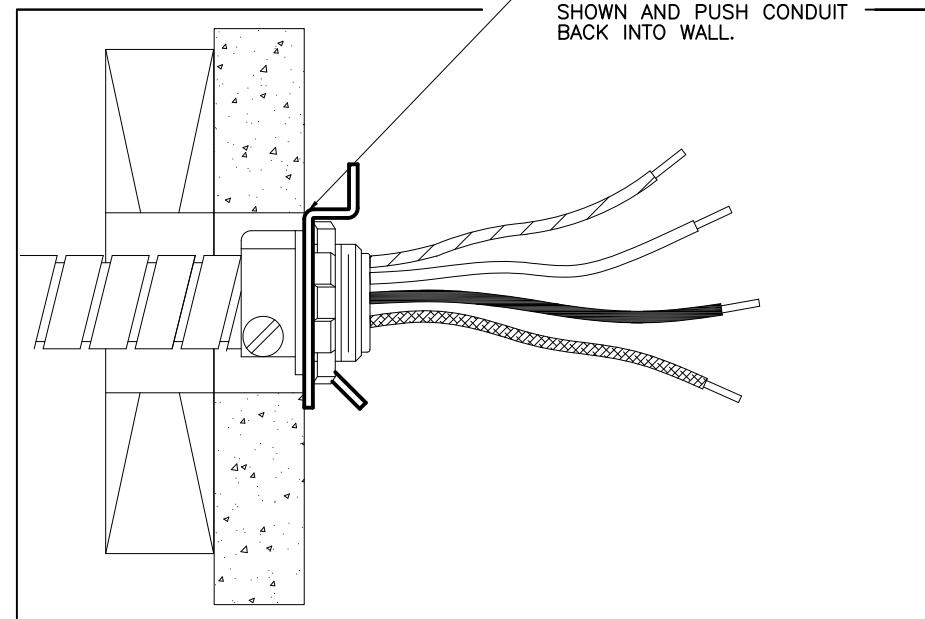
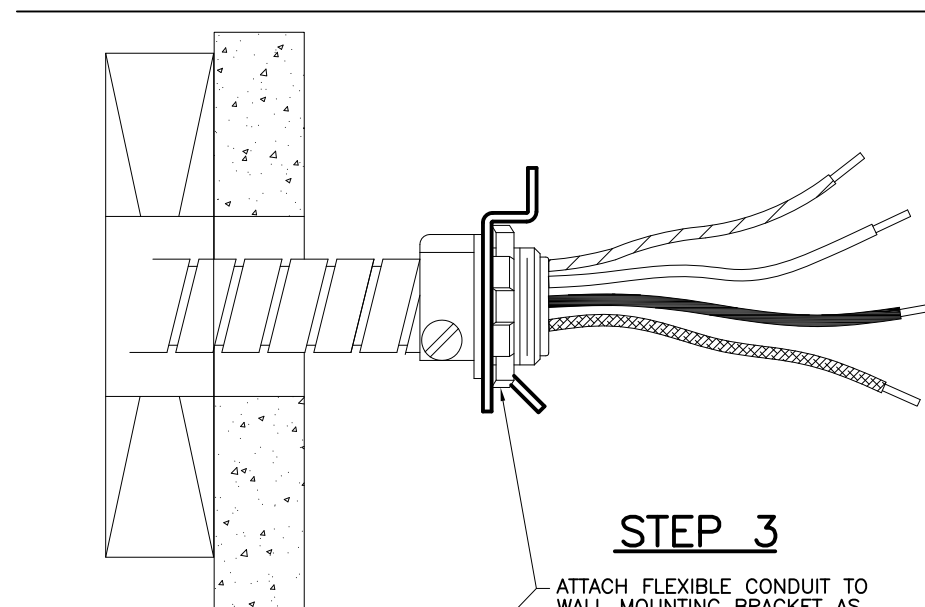
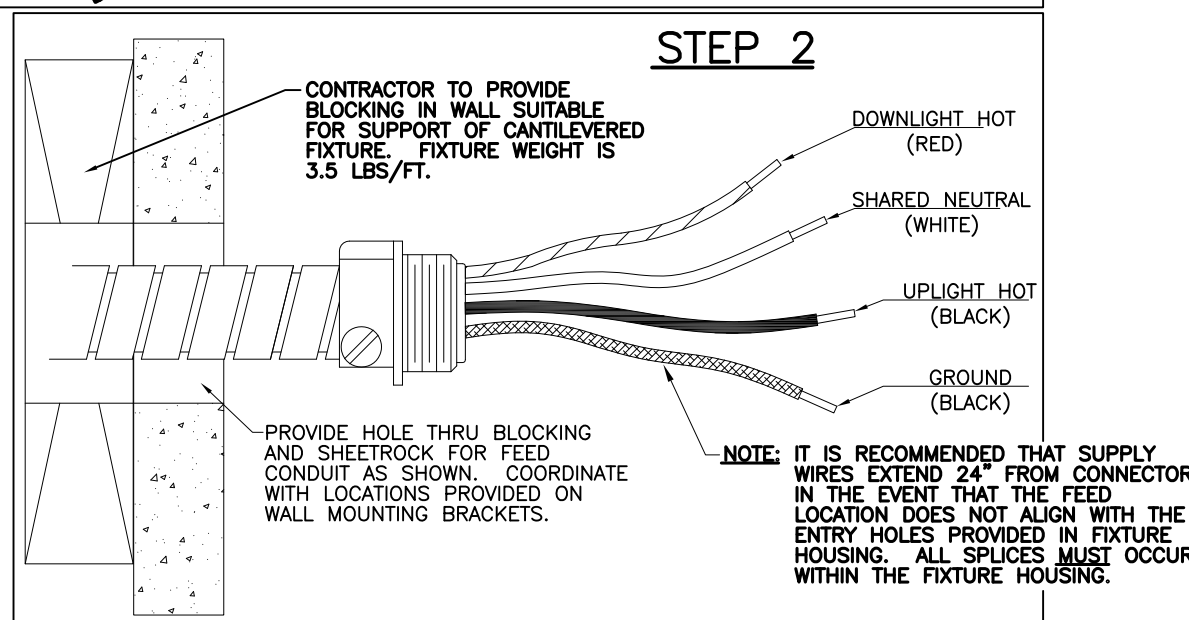
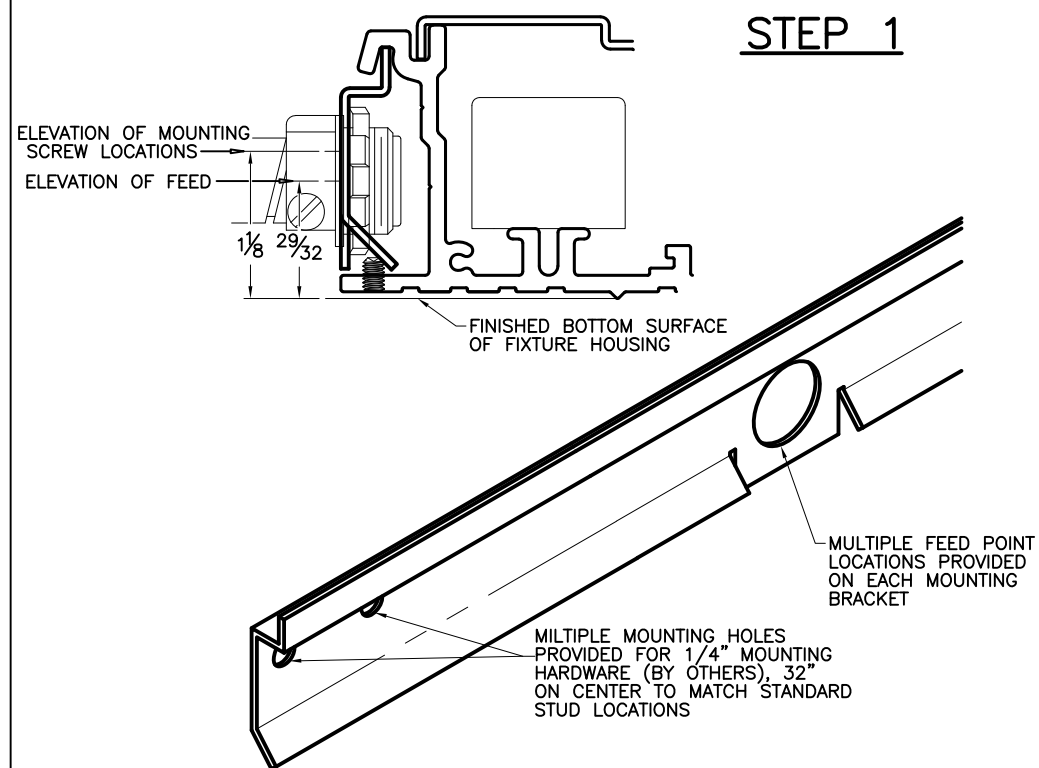


USING THE DIMENSIONS IN THE SKETCH BELOW, DETERMINE THE CORRECT ELEVATION FOR THE FEED AND MOUNTING HARDWARE ON THE WALL.



Project: **INSTALLATION INSTRUCTIONS**
DIR/ IND LIGHTCOVE SERIES

Distributor:	Type:	
By: DJL	Date: 8/2/2018	Scale: 3/4 FULL
Dwg. no.: 180411	Rev.	Size: B
SHEET 1 OF 3		

CATALOG NO: **LCKD**

SPECIFICATIONS

LIGHTING -
DIRECT / INDIRECT

MOUNTING -
SURFACE WALL MOUNT

SIZE -
NOMINAL 7 5/8" W x 2" H x 48" OR 96" LENGTHS.
CUSTOM LENGTHS AND CONTINUOUS RUNS AVAILABLE.

LED BOARDS -
UPLIGHT-3000K, 3500K OR 4000K COLOR TEMPERATURE LED BOARDS,80 CRI (STD.) OR 90 CRI. OUTPUT RANGES BETWEEN 400 AND 900 LUMENS PER FOOT AS REQUIRED.

DOWNLIGHT-3000K,3500K OR 4000K COLOR TEMPERATURE CONSTANT VOLTAGE (24V) LED TAPE, 3WATTS/FT, 280LM/FT(3500K).

DRIVER-
UPLIGHT-ULT CONSTANT CURRENT DRIVER, 0-10V DIMMABLE TO 1%, 120V/277V INPUT, DRIVE CURRENT AS REQUIRED TO ACHIEVE SPECIFIED LUMEN OUTPUT

DOWNLIGHT-ERP 24V CONSTANT VOLTAGE POWER SUPPLY, 120-277V INPUT. OPTIONAL 0-10V DIMMING MODULE AVAILABLE.

REFLECTOR-
DIE FORMED ALUMINUM

LENS-
1/16" THICK CLEAR ACRYLIC DUST COVER
EXTRUDED OPAL ACRYLIC LENS

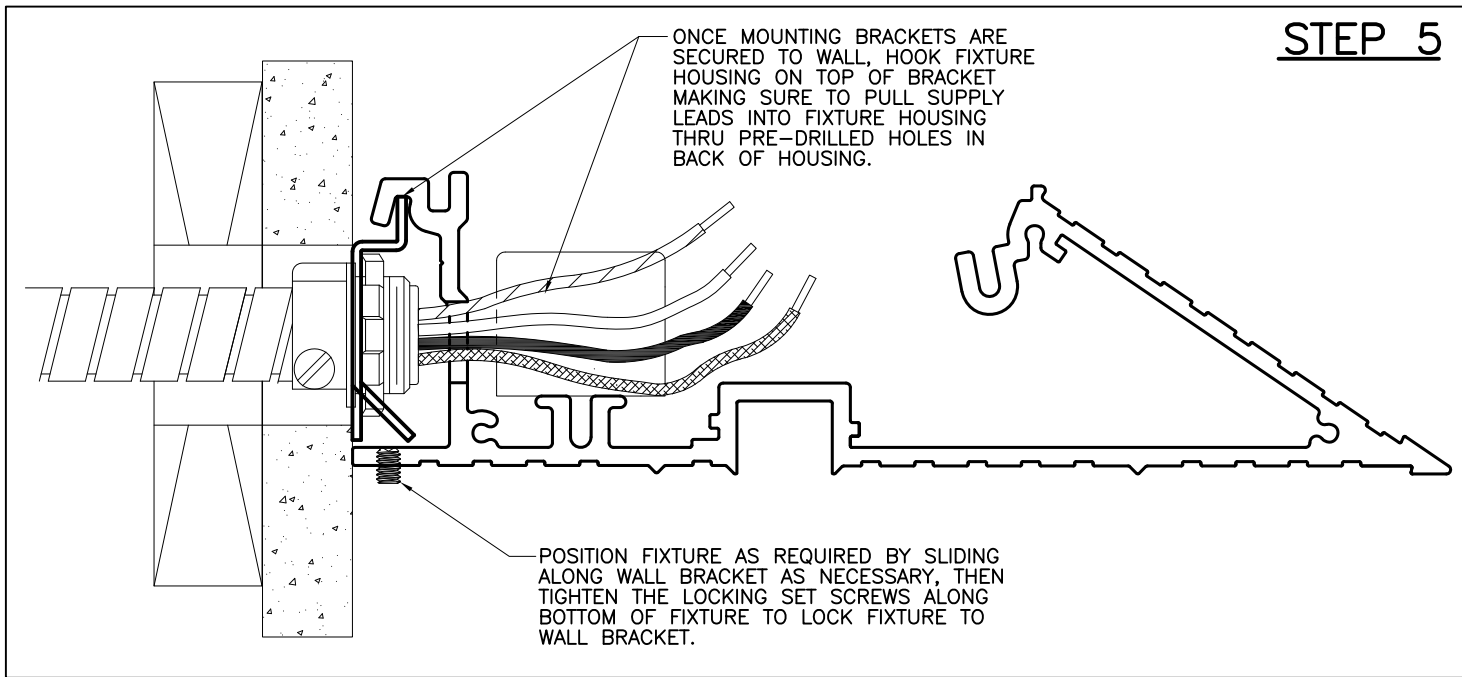
MATERIAL-
HOUSING -EXTRUDED ALUMINUM, .125" WALL

FINISH-
MILL ALUMINUM READY FOR APPLICATION OF DRYWALL COMPOUND AND FIELD PAINTING ON JOBSITE

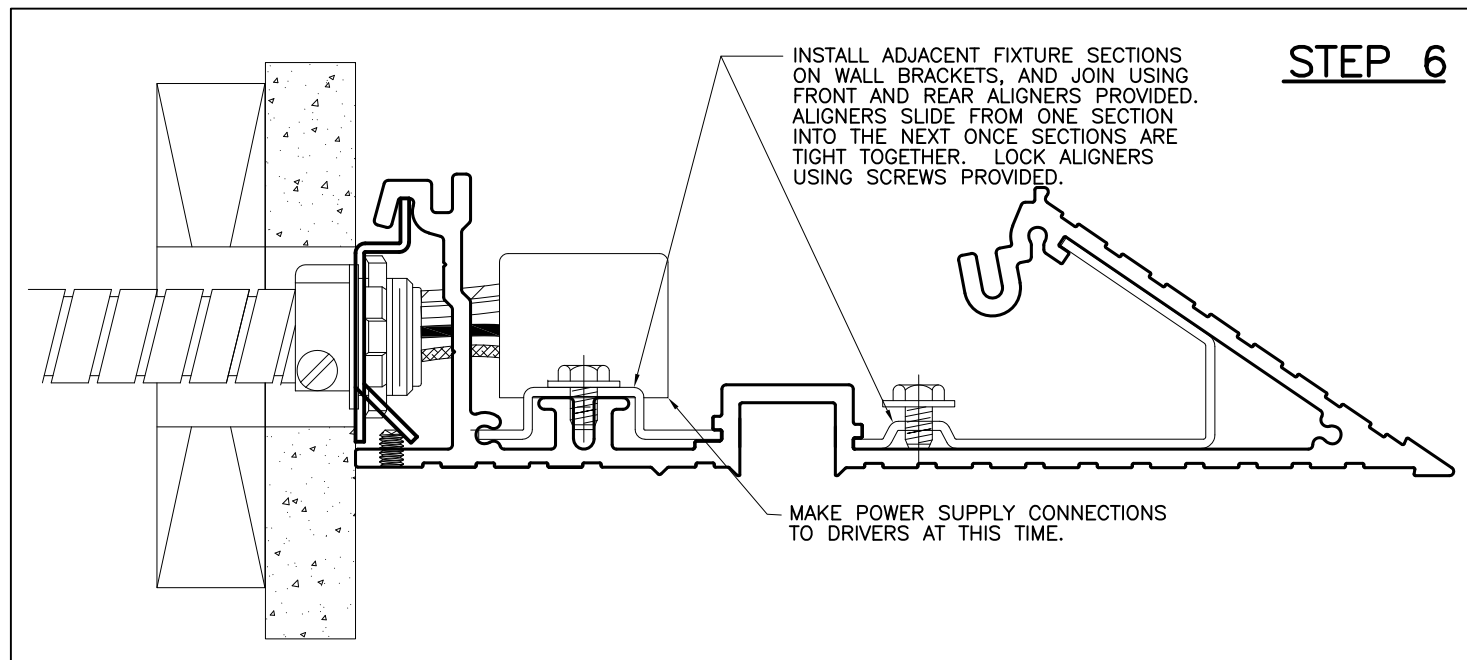
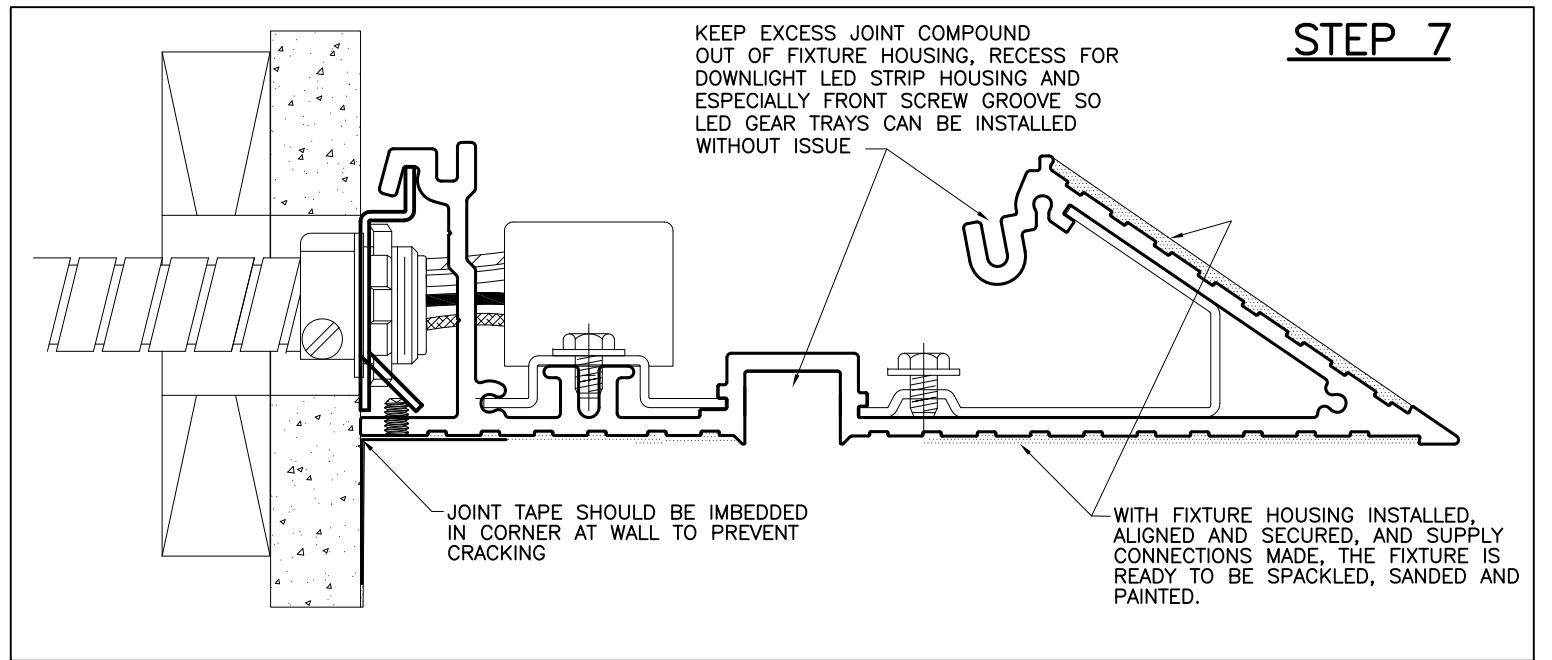
CERTIFICATION-
UL LISTED AND UNION MADE IN THE U.S.A.

This document contains confidential and proprietary information and cannot not be reproduced or divulged, in whole or part, without authorization in writing by Mercury Architectural Lighting.

Rev.	Description	Date	By



Project: INSTALLATION INSTRUCTIONS DIR /IND LIGHTCOVE SERIES				MERCURY ARCHITECTURAL LIGHTING	
Distributor:		Type:		20 Audrey Place Fairfield, NJ 07004 U.S.A.	
By: DJL	Date: 8/3/18	Scale: 3/4 FULL		CATALOG NO:	
Dwg. no.: 180411	Rev.	Size: B	CATALOGNO		
SHEET 2 OF 3					



STEP 8—ONCE HOUSING IS SECURED, SPACKLED, SANDED AND PAINTED AS DIRECTED BY ARCHITECT, PROCEED TO STEP 9

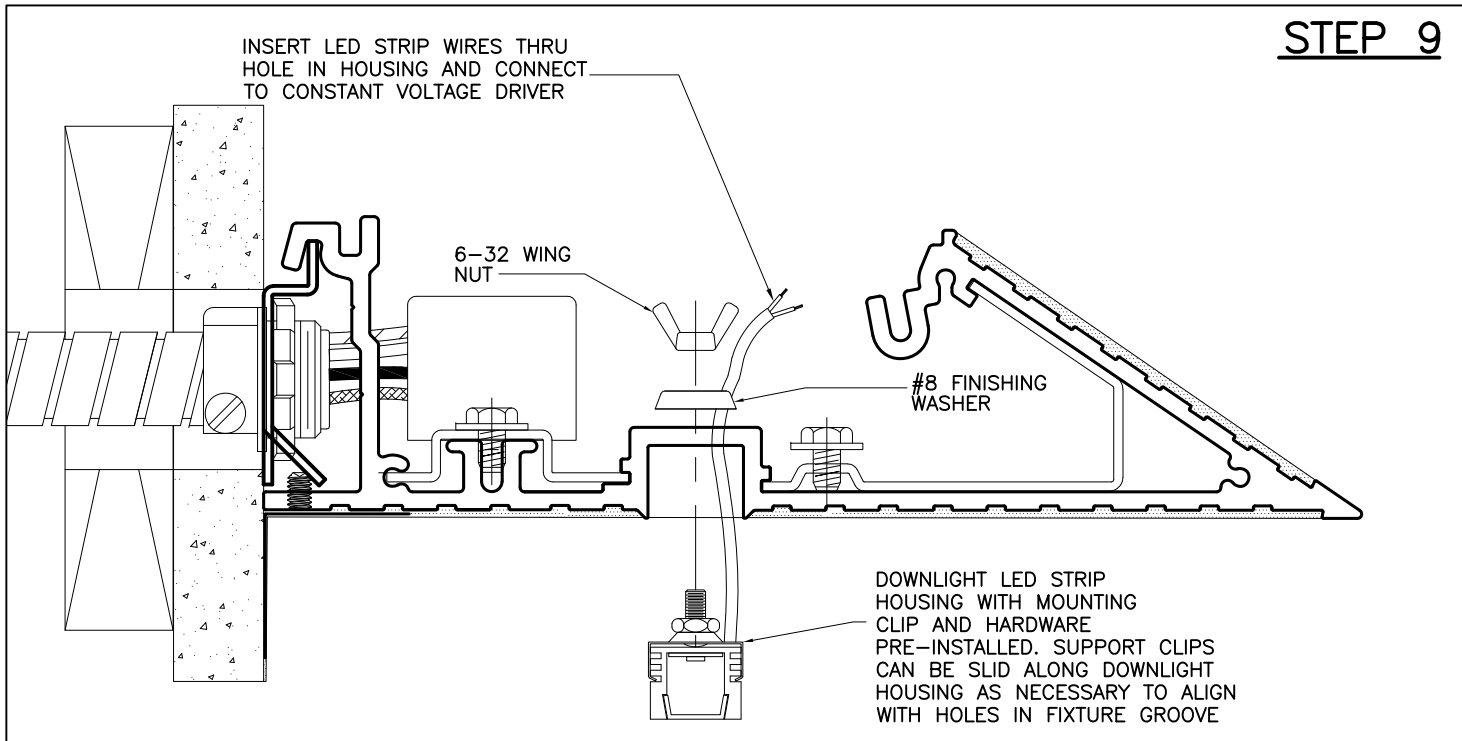
Project:
INSTALLATION INSTRUCTIONS
 DIR /IND LIGHTCOVE SERIES



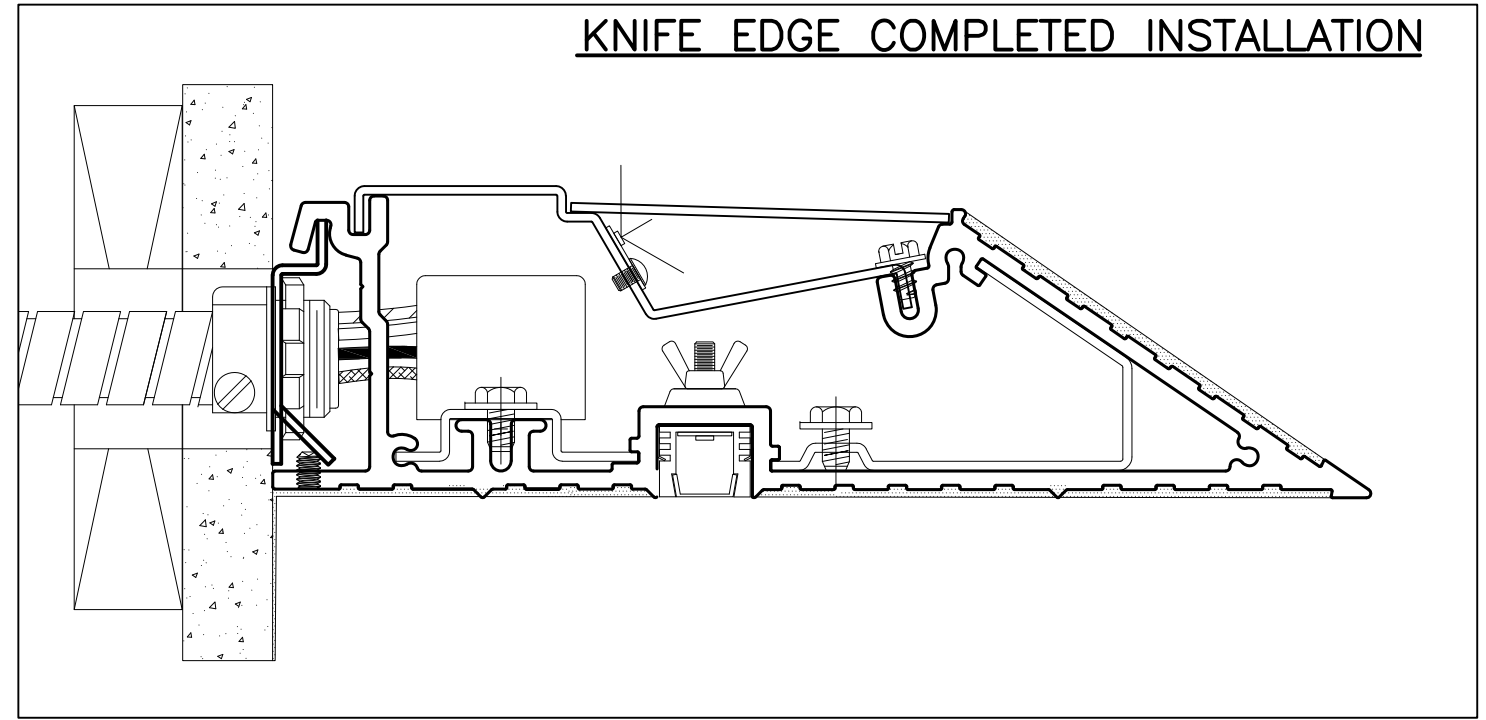
Distributor:		Type:	
By: DJL	Date: 8/3/18	Scale: 3/4 FULL	
Dwg. no.: 180411		Rev.	Size: B
SHEET 3 OF 3			

20 Audrey Place Fairfield, NJ 07004 U.S.A.
 CATALOG NO:
 CATALOGNO

STEP 9



KNIFE EDGE COMPLETED INSTALLATION



STEP 10

