



LS SERIES

Linear LED Strip Luminaire

Fixture Type:

Job Information:

SPECIFICATIONS:

LED MODULES:

- High performance linear configured LED module boards.
- Each board consists of multiple mid-power, high efficacy LEDs in a precise layout eliminating the need for supplemental heat sinking.
- The boards produce an even and diffuse light which maximizes optical efficiency.
- Compatible with the dimming performance of the LED driver.
- Color temperatures available: 3000K, 3500K, 4000K and 5000K.

LED DRIVERS:

- Factory programmable constant current LED power supply.
- Multiple standard drive current outputs (factory set by Mercury) are cataloged with their corresponding lumen package offerings. Upon request, custom drive current outputs and lumen packages are available.
- Note: Certain cataloged lumen packages may be provided with a non-programmable constant current LED power supply at Mercury's discretion. Contact factory if critical.
- Universal voltage input, 120V-277V, 50HZ-60HZ.
- Specification grade dimming down to 1% on 0-10V dimming controls.

LED LUMEN PACKAGES:

- Cataloged standard lumen packages. See attached chart for full details.
- Custom lumen packages pre-set are optional with programmable drivers only. Contact factory for details.
- **For cove and other confined space installations lower lumen packages are recommended. Maximum lumen packages; 2400/2Ft., 4800/4Ft., 9600/8Ft.**

HOUSING:

- Fabricated from code grade cold rolled steel with a white polyester finish for long lasting durability.
- Sufficient electrical knockouts are provided on the housing back and ends.

STANDBY LIGHTING OPTION:

- Self-contained module, 7W, 10W or 12W as specified. Battery backup upon loss of power. Available 4Ft. and 8Ft. modules only.

INSTALLATIONS:

- May be installed in any direction, individually or in continuous run applications.
- May be surface mounted or suspended.
- End knockouts for surface conduit entry.

CERTIFICATE OF SAFETY COMPLIANCE AND LISTINGS:

- Luminaire: UL and CUL listed 1598 and bears their label. Suitable for damp locations.

WARRANTY:

- 5-year limited warranty. Complete LED warranty terms available at www.mercltg.com.
- Actual performance may differ as a result of end-user environment and application.

FEATURES:

- Small profile linear LED light source in an open strip.
- Fits easily into small confined spaces for direct or indirect cove and valence lighting. Displays and cabinets are evenly illuminated with linear design.
- Nominal 2Ft., 4Ft., and 8Ft. modules are perfect for row applications producing uninterrupted continuous light.
- Digital LED technology provides high efficacy and energy efficiency.
- CRI greater than 80.
- Lumen maintenance; Reported L70 (hours) & L80 (hours) >60,000.
- Fixture lumens per watt ratios up to 148.
- American made.



LS SERIES

Example: LS-4-4000-35K-1%-UNI

LS		UNI				
SERIES	NOMINAL LENGTH (FT)	NOMINAL LUMENS	COLOR TEMP	DRIVER	VOLTAGE	STANDBY LIGHTING OPTIONS*
LS	2 24" L Length	24" L 2300	30K	1% 0-10V 1% Dimming As Specified	UNI	EM7 EM10 EM10 BSL310 (Philips) EM12
	4 46" L Length	3200	35K			
	8 92" L Length	46" L 3300	40K			
		4000	50K Upon Request			
		6400				
		92" L 6000				
		8000				
		12,800				
		XXXX Custom Lumen Package. Contact Factory.				
			MAXIMUM LUMEN PACKAGES FOR COVE AND TIGHT INSTALLATIONS: 2400/2Ft., 4800/4Ft., 9600/8Ft.			

* Available on 4ft. and 8ft. Modules Only.

LUMEN PACKAGE

Series	Nominal Length FT	Nominal Lumen Package	Color	Fixture Power (W)	Delivered Lumens	Fixture LPW	Standby EM	
LS	2FT							
			2300	3000K	17	2260	133	-
			2300	3500K	17	2284	134	-
			2300	4000K	17	2381	140	-
			2300	5000K	17	2405	141	-
			3200	3000K	25	3077	123	-
			3200	3500K	25	3110	124	-
			3200	4000K	25	3241	130	-
			3200	5000K	25	3273	131	-

Series	Nominal Length FT	Nominal Lumen Package	Color	Fixture Power (W)	Delivered Lumens	Fixture LPW	Standby EM	
LS	4FT							
			3300	3000K	23	3201	139	✓
			3300	3500K	23	3235	141	✓
			3300	4000K	23	3371	147	✓
			3300	5000K	23	3405	148	✓
			4000	3000K	29	3839	132	✓
			4000	3500K	29	3880	134	✓
			4000	4000K	29	4044	139	✓
			4000	5000K	29	4084	141	✓
			6400	3000K	50	6154	123	✓

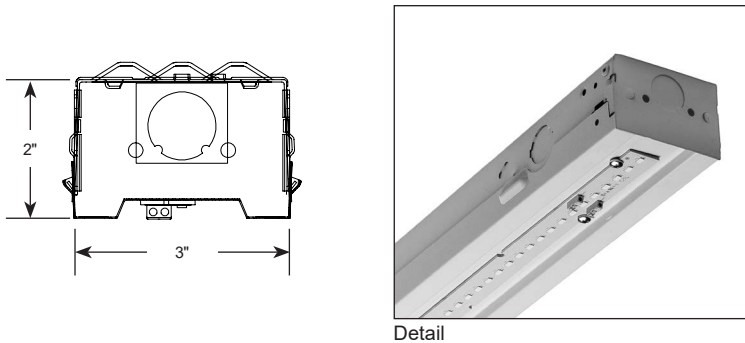
Series	Nominal Length FT	Nominal Lumen Package	Color	Fixture Power (W)	Delivered Lumens	Fixture LPW	Standby EM	
LS	8FT							
			6000	3000K	42	5753	137	✓
			6000	3500K	42	5814	138	✓
			6000	4000K	42	6059	144	✓
			6000	5000K	42	6120	146	✓
			8000	3000K	57	7679	135	✓
			8000	3500K	57	7761	136	✓
			8000	4000K	57	8087	142	✓
			8000	5000K	57	8169	143	✓
			12,800	3000K	100	12,308	123	✓
			12,800	3500K	100	12,438	124	✓
			12,800	4000K	100	12,962	130	✓
			12,800	5000K	100	13,094	131	✓

Actual wattage may differ by +/- 5% when operating between 120V-277V +/- 10%.

PHOTOMETRICS:

All photometric reports are available at www.mercltg.com.

CROSS SECTIONS:



HANGING ACCESSORIES

PART #	DESCRIPTION
R5PF-100	Round 5" power feed canopy, Hanging hardware, 100" long 1/16" cable.
R5-100	Round 5" canopy, Hanging hardware, 100" long 1/16" cable.
R2-100	Round 2" canopy, Hanging hardware, 100" long 1/16" cable.
S5PF-100	Square 5" power feed canopy, Hanging hardware, 100" long 1/16" cable.
S5-100	Square 5" canopy, Hanging hardware, 100" long 1/16" cable.
S2-100	Square 5" power feed canopy, Hanging hardware, 100" long 1/16" cable.

PART #	DESCRIPTION
VH-XX	"V" Hanger w/XX= 48"L or 72"L Chain & "S" Hook
CPYS-1	S-1 Single Stem 5" Dia. Canopy
STMXX	XX= 12"L, 24"L, 48"L Stem/ 3/8" IPS-5/8" OD

Other cable lengths available.

