



LR34 SERIES

Recessed Flanged Drywall 2X2 LED Lens Luminaire

Fixture Type:

Job Information:

SPECIFICATIONS:

LED MODULES:

- High performance linear configured LED module boards.
- Each board consists of multiple mid-power, high efficacy LEDs in a precise layout eliminating the need for supplemental heat sinking.
- The boards produce an even and diffuse light which maximizes optical efficiency.
- Compatible with the dimming performance of the LED driver.
- Color temperatures available: 3000K, 3500K and 4000K.
- Upon request: 5000K.

LED DRIVERS:

- Factory programmable constant current LED power supply.
- Multiple standard drive current outputs (factory set by Mercury) are cataloged with their corresponding lumen package offerings. Upon request, custom drive current outputs and lumen packages are available.
- Note: Certain cataloged lumen packages may be provided with a non-programmable constant current LED power supply at Mercury's discretion. Contact factory if critical.
- Universal voltage input, 120V-277V, 50HZ-60HZ.
- Specification grade dimming down to 1% on 0-10V dimming controls.

LED LUMEN PACKAGES:

- Cataloged standard lumen packages. See attached chart for full details.
- Custom lumen packages pre-set are optional with programmable drivers only. Contact factory for details.

HOUSING:

- All metal parts are fabricated in a computer-controlled operation from heavy gauge code grade cold rolled steel.
- Rivets hold all parts together for strength and unity.
- Integral four-sided overlapping flange.
- Heavy gauge flush steel frame has mitered-look corners. Hinges down or may be completely removed. Two positive action cam latches hold the frame closed.
- A custom formulated non-glare white powder coating is applied to the housing after fabrication providing a reflectivity of at least 90%.

DIFFUSERS:

- High performance prismatic pattern in standard thickness or optional .125" thickness.
- Extruded from 100% acrylic clear material (9A).
- Optional: extruded from 100% acrylic frosted material (9AF).
- Other options upon request.

STANDBY LIGHTING OPTION:

- Self contained module, 5W, 7W, 10W or 12W as specified. Battery backup upon loss of power.
- May not be available with some higher lumen packages. See Lumen package matrix.

INSTALLATIONS:

- Designed for installation into drywall ceilings with an overlapping flange trim design. Press-fit end flanges are removable.
- Swing-out type leveling brackets have vertical adjustability from inside the housing. Tightening down brings the housing up tight against the ceiling.
- Four auxiliary suspension points are also provided for securing to building structure.
- Sufficient knockouts are provided on the back and ends for all electrical connections.
- A quick wiring access plate is located on back of the housing.
- Factory installed power whips as specified.
- Double and triple gasketed options available for dust and moisture control.

CERTIFICATE OF SAFETY

COMPLIANCE AND LISTINGS:

- Luminaire: UL and CUL listed 1598 and bears their label. Suitable for damp locations.
- IC rated. (Some higher lumen packages may not qualify. See Lumen Package matrix).

WARRANTY:

- 5-year limited warranty is standard. Special 10-year warranty available on a job-to-job basis. Complete LED warranty terms available at www.mercltg.com.
- Actual performance may differ as a result of end-user environment and application.
- Most LED luminaires are suitable to operate in ambient temperatures from -20C (-4F) to 25C (77F).
- The following exclusions apply: Luminaires with optional standby lighting option, integral lighting controls options, or wireless control options. Consult factory.
- LM-79 testing was measured under a controlled 25C (77F) ambient operating temperature.

FEATURES:

- Shallow recessed 2X2 ambient LED luminaire.
- Installs in drywall ceilings with a heavy gauge four-sided overlapping flange.
- Hinged door frame encases an acrylic prismatic clear diffuser.
- Diffuses the LED light source in a very wide and efficient distribution delivering a balanced amount of horizontal and vertical illumination.
- Digital LED technology provides high efficacy and energy efficiency.
- Multiple power and light levels are offered as standard to allow meeting design and energy needs per application. Custom factory set levels available on request.
- Lumen maintenance; Reported L70 (hours) & L80 (hours) > 60,000.
- CRI greater than 80.
- Fixture lumens per watt ratios up to 122.



LR34 SERIES

Example: LR34-22F-4800-35K-9A-1%-UNI-EM7

SERIES	MODULE SIZE/CEILING	NOMINAL LUMENS	COLOR TEMP	DIFFUSER	DRIVER	VOLTAGE	STANDBY LIGHTING OPTIONS	OPTIONS
LR34	22F 2X2 Module/ Nema Type F/ Flanged Recessed, Overlapping Flange Trim	2100 2600 4800 6800 8400 XXXX Custom Lumen Package. Contact Factory.	30K 35K 40K 50K Upon Request	9A Acrylic Prismatic Clear 9A.125 Acrylic Prismatic Clear .125" 9AF Acrylic Prismatic Frosted	1% 0-10V 1% Dimming As Specified	UNI	EM5 EM7 EM10 EM12 See Availability Matrix	DG Double Gasketing TG Triple Gasketing

LUMEN PACKAGE

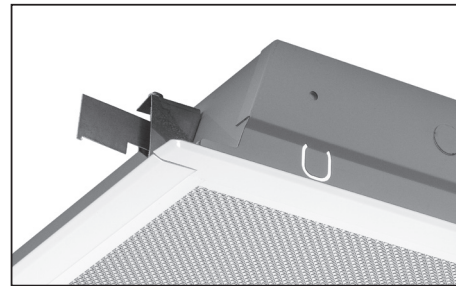
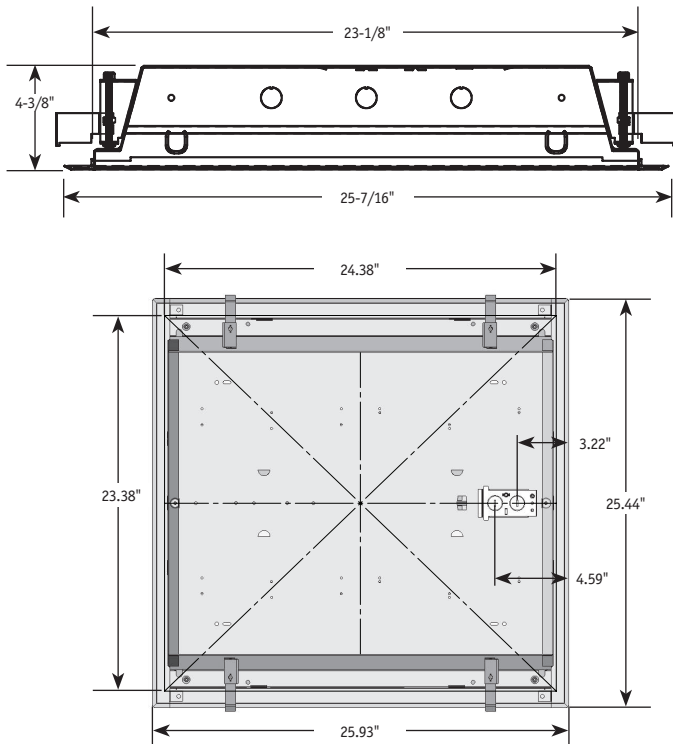
SERIES	MODULE SIZE	Nominal Lumen Package	Color	Fixture Power (W)	Diffuser	Delivered Lumens	Fixture LPW	IC Rated	Standby Lighting Option
LR34	2X2								
		2100	3000K	19	9A	2057	111	✓	✓
		2100	3500K	19	9A	2089	112	✓	✓
		2100	4000K	19	9A	2154	116	✓	✓
		2100	5000K	19	9A	2219	119	✓	✓
		2600	3000K	24	9A	2522	106	✓	✓
		2600	3500K	24	9A	2562	107	✓	✓
		2600	4000K	24	9A	2641	111	✓	✓
		2600	5000K	24	9A	2720	114	✓	✓
		4800	3000K	40	9A	4600	115	✓	✓
		4800	3500K	40	9A	4649	116	✓	✓
		4800	4000K	40	9A	4845	121	✓	✓
		4800	5000K	40	9A	4894	122	✓	✓
		6800	3000K	64	9A	6568	102	✓	✓
		6800	3500K	64	9A	6671	104	✓	✓
		6800	4000K	64	9A	6878	107	✓	✓
		6800	5000K	64	9A	7084	110	✓	✓
		8400	3000K	80	9A	8060	101	-	-
		8400	3500K	80	9A	8186	102	-	-
		8400	4000K	80	9A	8439	105	-	-
		8400	5000K	80	9A	8692	109	-	-

Actual wattage may differ by +/- 5% when operating between 120V-277V +/- 10%.

PHOTOMETRICS:

All photometric reports are available at www.mercltg.com.

CROSS SECTIONS:



Detail

