

# LIGHTPERIMETER

## MLP3-WG SERIES

## RECESSED PERIMETER WALL GRAZING SYSTEM 1", 2" OR 3" DEEP REGRESSION

Architectural Linear LED Illuminating System | LIGHTPERIMETER



### Standard Features

- Recessed perimeter linear LED wall grazing system.
- Engineered and designed to provide to the wall a very uniform graze of light from top to bottom.
- Highlights and enhances wall textures for character and interest.
- Adds to the overall general room illumination.
- Enhances and defines the perimeter of the ceiling while making a space feel bigger and brighter.
- Mounts against the wall and provides a defined floating edge to the ceiling.
- Housing regresses up into the ceiling; 1-, 2-, or 3-inches.
- Extruded aluminum housing for perfectly straight lines of light.
- Approximate 3-1/2" opening from ceiling to wall.
- Linear lengths; 2-ft. and above in increments of one-inch.
- Tunable white feature optional.
- Proprietary wall grazing lens is extruded from custom blended acrylic.
- Non-glare matte-white polyester powder coating finish.
- Cataloged standard or custom set lumens-per-foot performances.
- 80 CRI standard. 90 CRI available.
- Continuous dimming capability down to 1% on 0-10V controls.
- IC rated.
- CCEA option available.
- Fixture lumens per watt ratios up to 136.
- Standard and custom corners
- American Made.



### Performance

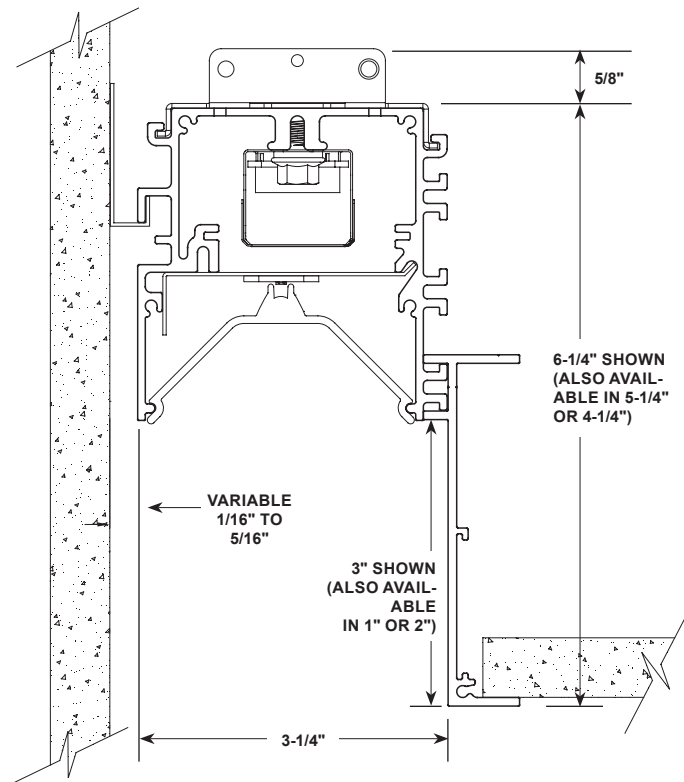
Based on 4Ft. Module, 3500K, 80 CRI, 3" Deep Regression-Signify LV6 LED Boards

Lumens per Foot	Total Lumens (4Ft)	Color	System Watts (W)	Lumens per Watt (LPW)
400	1600	35K	11.8	136
500	2000	35K	14.8	135
625	2500	35K	18.7	134
850	3400	35K	25.7	132
1000	4000	35K	30.9	129
1240	4960	35K	39.2	127

**Multiplier for other Color Temp (K)**

3000K	97%
3500K	100%
4000K	102%
5000K	103%

Actual performance may differ by +/- 5% when operating between 120V-277V +/- 10%. Consult Factory for 90 CRI performances.



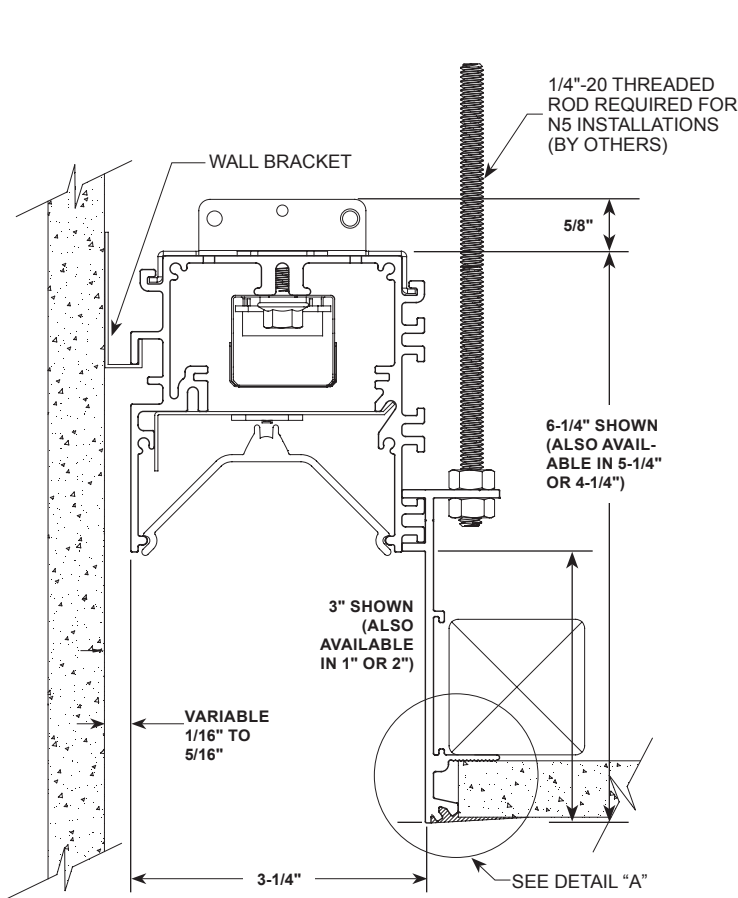

fixture type:		job information:	
---------------	--	------------------	--



# MLP3-WG Series | LIGHTPERIMETER

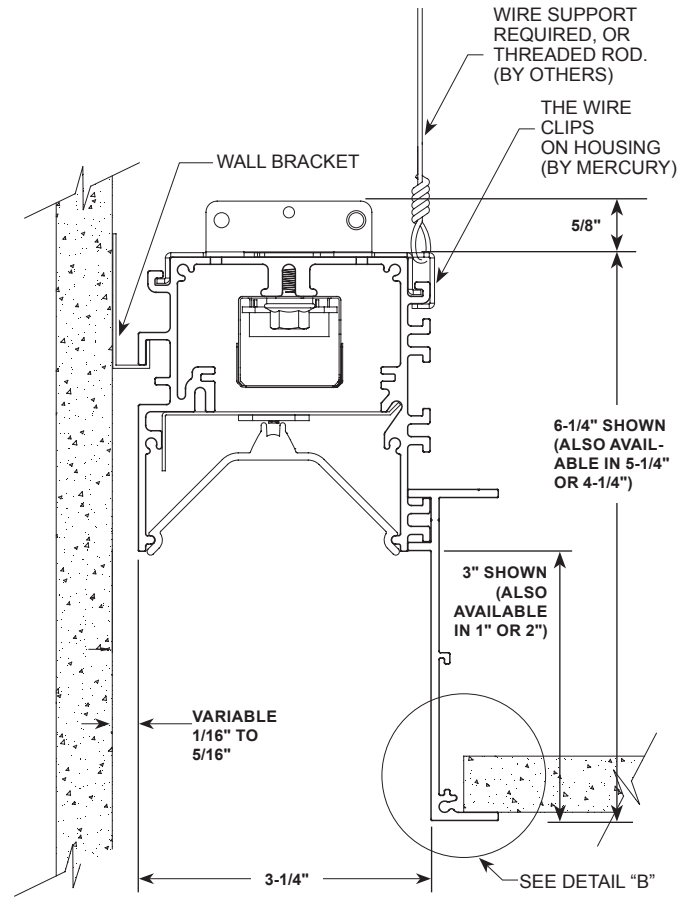
Architectural Linear LED Illuminating System | Recessed Perimeter Wall Grazing System | 1", 2" or 3" Deep Regression

## Ceiling Types and Dimensions



### N5

Trimless Plaster-In for 5/8" Drywall  
(REQUIRES PLASTERING-IN AFTER INSTALLATION BY OTHERS)



### G Grid 9/16" or 15/16"

OR  
F Overlapping Flange Trim

**NOTE:** Fixture must be installed prior to ceiling in all drywall applications (N5 and F).

