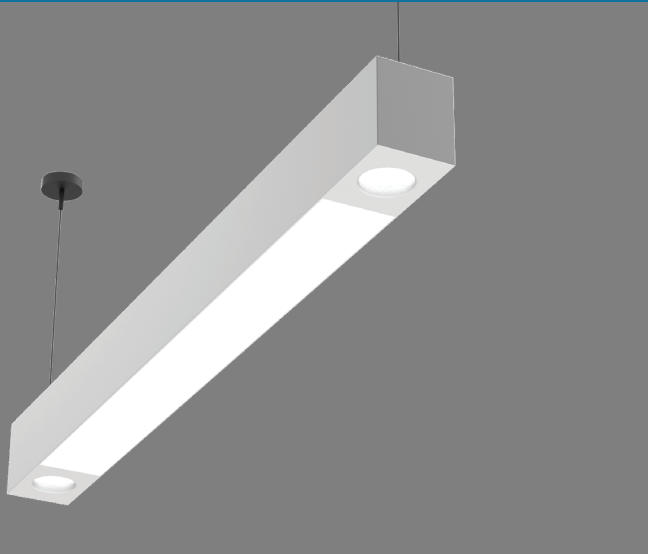


LIGHTPOINTS

MLS3-DL-M SERIES

DYNAMIC DOWNLIGHT MODULES DL ACCENT LIGHTING COMBINED WITH LINEAR LED SYSTEM SUSPENDED OR SURFACE MOUNT

Architectural Linear LED Illuminating System | LIGHTPOINTS 3



Linear Features:

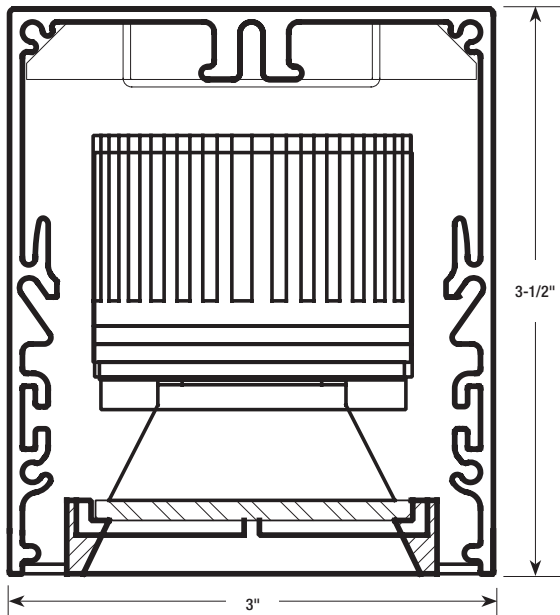
- Extruded aluminum housings produce perfectly straight lines of light.
- Narrow 3" profile.
- Linear lengths; 4Ft., 8Ft. or 12Ft. Custom lengths and runs consult factory.
- Custom formulated high diffusion extruded acrylic lens.
- Non-glare matte-white polyester powder coating finish.
- Cable or stem mount from ceiling, or direct surface mount.
- Cataloged standard or custom set lumens-per-foot performances.
- 80 CRI standard. 90 CRI available.
- Fixture lumens per watt ratios up to 118.
- Lighting controls and sensors.
- American Made.

Downlight Features:

- Dynamic Xicato LED downlights add ambient and accent lighting as an integral part of the MLS3 linear LED illuminating system.
- Proprietary die-cast aluminum trim with 3/8" splayed regression.
- Trim available in white or black.
- Combines to create a unique multi-function system.
- Each downlight modules (DL) delivers up to 1000 lumens.
- Typically positioned on or near 4Ft. on centers.
- Custom positioning on request.
- Color temperatures available: 3000K or 3500K. Others upon request.
- CRI 90.
- Angle beam: 33 degree standard. Upon request 48 and 62 degrees.



Cross Section



fixture type:

job information:

MLS3-DL-M Series | LIGHTPOINTS 3

Dynamic Downlight Modules DL | Accent Lighting Combined with Linear LED System | Suspended or Surface Mount

Ex: MLS3-DL-M-48-825-935K-HTA-1%-U-5-30-33-B

Linear Features							Downlight Modules				
Series	Mounting	Module Length	Lumens/Ft	Color Temp	Diffuser	Driver	Voltage	Downlight Modules Lumens	Color Temp (K)	Beam Angle	Trim Finish
MLS3-DL LightPoints 3 Dynamic Downlight	M Suspended Cable Mount	48 48" Length	400 500 625 825 900 1000	80 CRI 30K 35K 40K 50K Upon Request	HTA High Transmission Acrylic	1% 0-10V 1% Dimming	U Uni 120V-277V	As Specified Up to 1000	90 CRI 30 35	33 Standard	B Black
	M1 Surface Mount	96 96" Length	825 900 1000								
	M2 Suspended Stem Mount	144 144" Length	Custom Lumen Packages. Packages with ASO diffuser. Contact Factory.	90 CRI 927K 930K 935K 940K		As Specified	X As Specified				

Housings

Extruded aluminum profile in a 0.080-inch wall thickness.

Maximum length is 12Ft.

.060 aluminum ends are provided.

Internal cold-rolled steel components.

Standard or custom hanging points are provided.

A custom formulated non-glare matte-white polyester powder coating provides an extremely durable and long-lasting finish.

Custom color finishes on request.

Diffusers

Seamless fit diffusers. Flawless and consistent end-to-end fit.

Standard diffuser: extruded from custom formulated high transmission white acrylic material. Allows maximum light transmission while eliminating pixilation and hot spots.

Optional diffuser: extruded from acrylic smooth opal material. Offers a more esthetically white appearance. Note: reduces performance by up to 25%.

Smooth finish on both diffusers compliments the architectural elements.

LED Modules

High performance linear configured LED module boards.

Each board consists of multiple mid-power, high efficacy LEDs in a precise layout eliminating the need for supplemental heat sinking.

The boards produce an even and diffuse light which maximizes optical efficiency.

Compatible with the dimming performance of the LED driver.

Color temperatures available 80CRI: 3000K, 3500K and 4000K. Upon request: 5000K.

Color temperatures available 90CRI: 2700K, 3000K, 3500K and 4000K.

LED Drivers

Factory programmable constant current LED power supply.

Multiple standard drive current outputs (factory set by Mercury) are cataloged with their corresponding lumens-per-foot offering. Upon request, custom drive current outputs and lumens-per-foot options are available.

Note: Certain cataloged lumens-per-foot offerings may be provided with a non-programmable constant current LED power supply at Mercury's discretion. Contact factory if critical.

Universal voltage input, 120V-277V, 50HZ-60HZ.

Specification grade dimming down to 1% on 0-10V dimming controls.

Lutron drivers available: LDE1 and LDE5 series.

Downlight Modules

Xicato Designer Series XTM.

Complete assembly includes heat sink adapter and reflector.

Proprietary die-cast aluminum trim with 3/8" splayed regression.

Trim available in white or black.

Each downlight modules (DL) deliver up to 1000 lumens.

Typically positioned on or near 4Ft. on centers.

Custom positioning on request.

Color temperatures available: 3000K or 3500K.

Others upon request.

CRI 90.

Angle beam: 33 degree standard.

Upon request 48 and 62 degrees.

Downlight Drivers

Each downlight has its own constant current driver mounted inside the luminaire as an integral component.

Universal voltage input, 120V-277V, 50HZ-60HZ.

Specification grade dimming down to 1% on 0-10V dimming controls.

Standby Lighting Options

Consult factory for all standby options.

Integral Lighting Controls

Various lighting controls and sensors are optional. Consult factory.

Continuous Runs, Corners and Patterns

Please consult factory with any special requirements.

Installations

Designed to be suspended on cables. Specify **M**.

For direct surface mount to most ceiling types, specify **M1** and consult factory.

For stem mounting specify **M2** and consult factory.

All individual luminaires to include job required feed wire as specified.

Standard or custom hanging points will be provided per job specifications.

Certificate of Safety Compliance and Listings

Luminaire: UL and CUL listed 1598 and bears their label. Suitable for damp locations.

Warranty

5-year limited warranty is standard. Special 10-year warranty available on a job-to-job basis. Complete LED warranty terms available at www.mercltg.com.

Actual performance may differ as a result of end-user environment and application.

Most LED luminaires are suitable to operate in ambient temperatures from -20C (-4F) to 25C (77F).

The following exclusions apply: Luminaires with standby lighting option, integral lighting controls options, or wireless control options.

Consult factory.

LM-79 testing was measured under a controlled 25C (77F) ambient operating temperature.

Hanging Accessories

Part #	Description
R5PF-100	Round 5" power feed canopy, Hanging hardware, 100" long 1/16" cable.
R5-100	Round 5" canopy, Hanging hardware, 100" long 1/16" cable.
R2-100	Round 2" canopy, Hanging hardware, 100" long 1/16" cable.
S5PF-100	Square 5" power feed canopy, Hanging hardware, 100" long 1/16" cable.
S5-100	Square 5" canopy, Hanging hardware, 100" long 1/16" cable.
S2-100	Square 2" canopy, Hanging hardware, 100" long 1/16" cable.
RP5-24	Round 5" canopy, Hanging hardware, 24" long 1/2" dia. stem.
SP5-24	Square 5" canopy, Hanging hardware, 24" long 1/2" dia. stem.

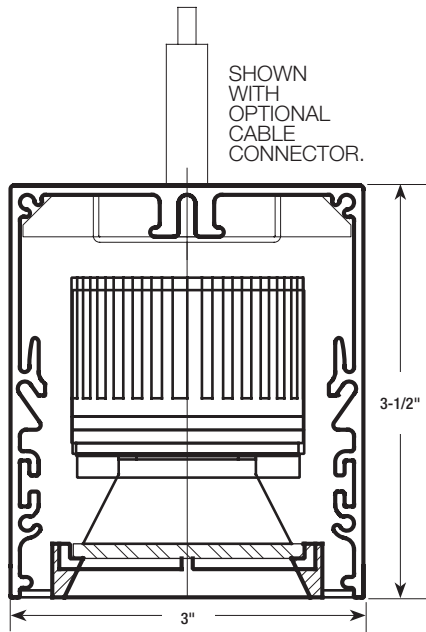
Other cable and stem lengths available. Consult factory.



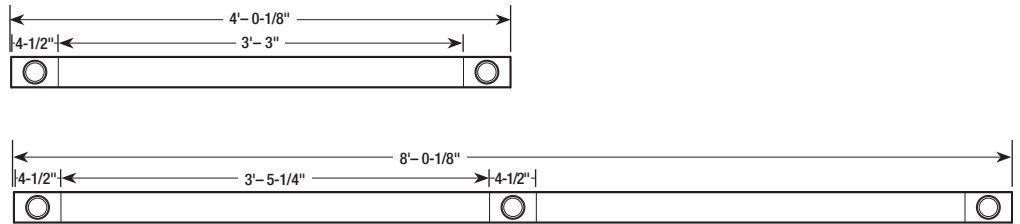
MLS3-DL-M Series | LIGHTPOINTS 3

Dynamic Downlight Modules DL | Accent Lighting Combined with Linear LED System | Suspended or Surface Mount

Dimensional Data



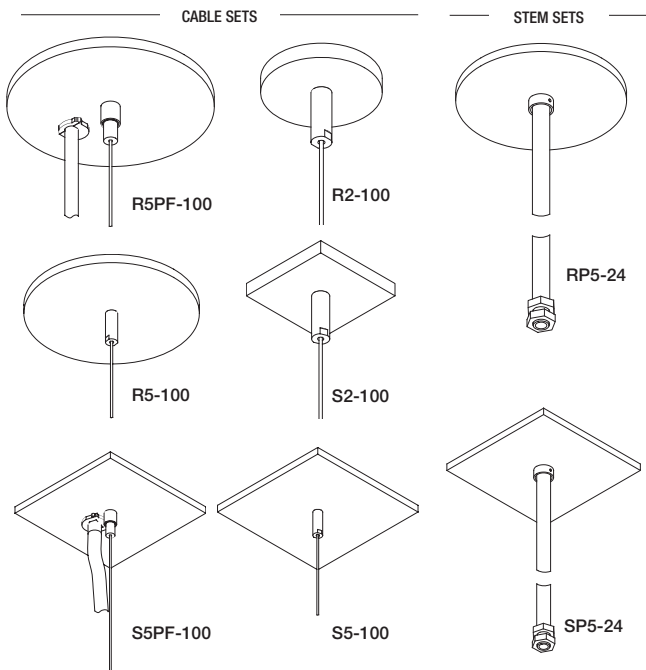
Downlight Layout



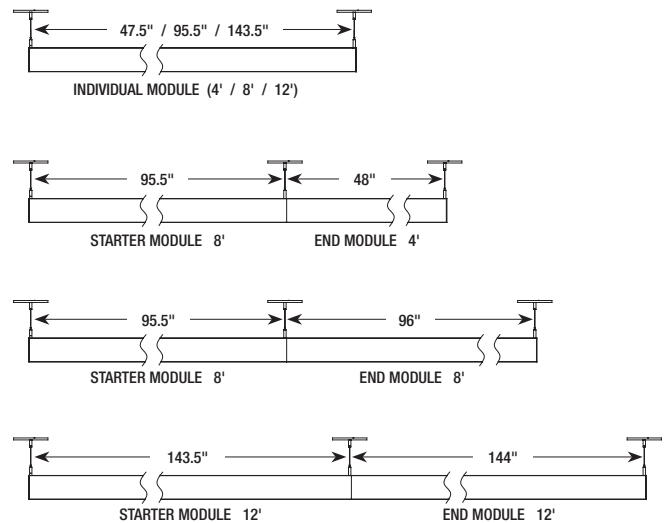
TYPICAL 4FT. AND 8FT. INDIVIDUAL UNITS

FOR OTHER SIZES AND RUN/PATTERN LAYOUTS
CONSULT FACTORY

Hanging Accessories



Mounting Information



Consult factory for additional row length information

