

LIGHTWASH

MLW2-N5/F SERIES

RECESSED DRYWALL

Architectural Linear LED Wall Washing System | LIGHTWASH

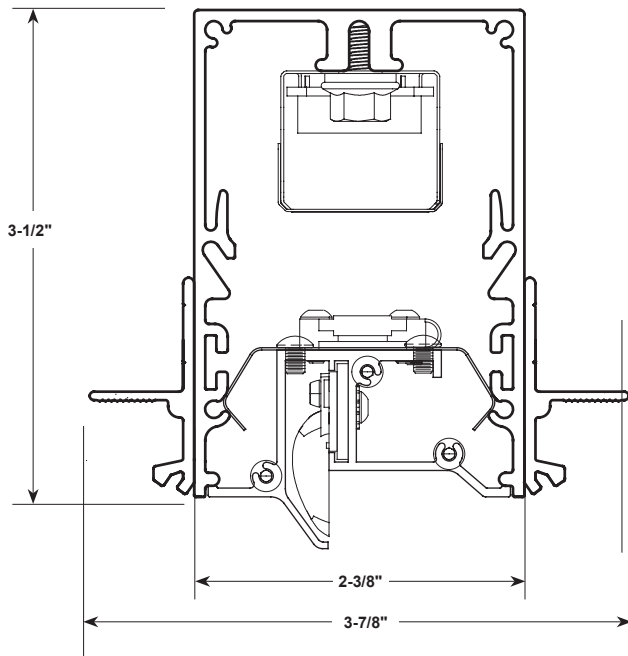


Features:

- Newly engineered proprietary wall washing system creates a glowing transition between wall and ceiling.
- Asymmetric light distribution and high-performance optics allow a smooth gradation of light from the top down to the bottom of the wall.
- Walls are free of striations and shadows moving horizontally across the wall.
- Extruded aluminum housings produce perfectly straight lines of light.
- Narrow profile; 2-3/8-inch width.
- Standard linear module lengths; 4-ft. and 8-ft.
- Use multiple modules for continuous rows.
- Special lengths consult factory.
- Recessed for drywall ceiling types: trimless or overlapping flange trim.
- Cataloged standard or custom set lumens-per-foot performances.
- 90 CRI.
- Continuous dimming capability down to 1% on 0-10V controls.
- IC rated.
- American Made.



Cross Section



Performance

Lumens per Foot (LF)	System Watts (W)
350	9.66
400	10.94
450	12.32
500	13.68

Actual performance may differ by +/- 5% when operating between 120V-277V +/- 10%.



Fixture Type:

Job Information:



MLW2-N5/F Series | LIGHTWASH

Architectural Linear LED Wall Washing System | Recessed Drywall

Ex: MLW2-N5-96-450-930K-1%-U

MLW2							Option
SERIES	MOUNTING	MODULE LENGTH	LUMENS/ FT	COLOR TEMP	DRIVER	VOLTAGE	LIGHTING CONTROLS
MLW2 LightWash	F Overlapping Flange Trim N5 Trimless Plaster-In for 5/8" Drywall N1 Trimless Plaster-In for 1/2" Drywall	48 48" Length	350	90 CRI 930K 935K	1% 0-10V 1% Dimming As Specified	U Uni 120V-277V 1 120V 7 277V X As Specified	Consult Factory
		96 96" Length	400 450 500				
		Custom Lengths or Rows Consult Factory.	Custom Lumen Package. Contact Factory				

Housings

Extruded aluminum profile in a 0.080-inch wall thickness.

Maximum length of each linear component is 8-ft.

.060 aluminum ends are standard.

Engineered internal reflector system provides optimal asymmetric light distribution for wall washing.

Housing is intended to be recessed in a drywall ceiling near the wall intended to be washed in light. Distance from wall to be pre-calculated based on wall washing effect desired.

A custom formulated non-glare matte-white polyester powder coating provides an extremely durable and long-lasting finish.

LED Modules

High performance linear configured LED module boards.

Each board consists of multiple mid-power, high efficacy LEDs in a precise layout eliminating the need for supplemental heat sinking.

Individual LED reflectors produce an even and diffuse light which maximizes optical efficiency.

Compatible with the dimming performance of the LED driver.

Color temperatures available 90 CRI: 3000K and 3500K.

LED Drivers

Factory programmable constant current LED power supply.

Multiple standard drive current outputs (factory set by Mercury) are cataloged with their corresponding lumens-per-foot offering. Upon request, custom drive current outputs and lumens-per-foot options are available.

Universal voltage input, 120V-277V, 50HZ-60HZ.

Specification grade continuous dimming capability down to 1% on 0-10V dimming controls.

Installations

Designed for recessed installation into drywall type ceilings.

See ceiling types section for typical installations.

Trimless housing requires plastering-in after installation.

Overlapping trim flange neatly closes off drywall opening.

For all recessed grid applications see appropriate specification sheets for those ceiling types.

All multiple module runs to include job required plug-thru wire harnesses as specified.

Wiring access plate provided on top. End plates have 7/8" KO.

Certificate of Safety Compliance and Listings

Luminaire: UL and CUL listed 1598 and bears their label. Suitable for damp locations.

IC rated.

Warranty

5-year limited warranty is standard. Special 10-year warranty available on a job-to-job basis. Complete LED warranty terms available at www.mercltg.com.

Actual performance may differ as a result of end-user environment and application.

Most LED luminaires are suitable to operate in ambient temperatures from -20C (-4F) to 25C (77F).

The following exclusions apply: Luminaires with optional standby lighting option, integral lighting controls options, or wireless control options. Consult factory.

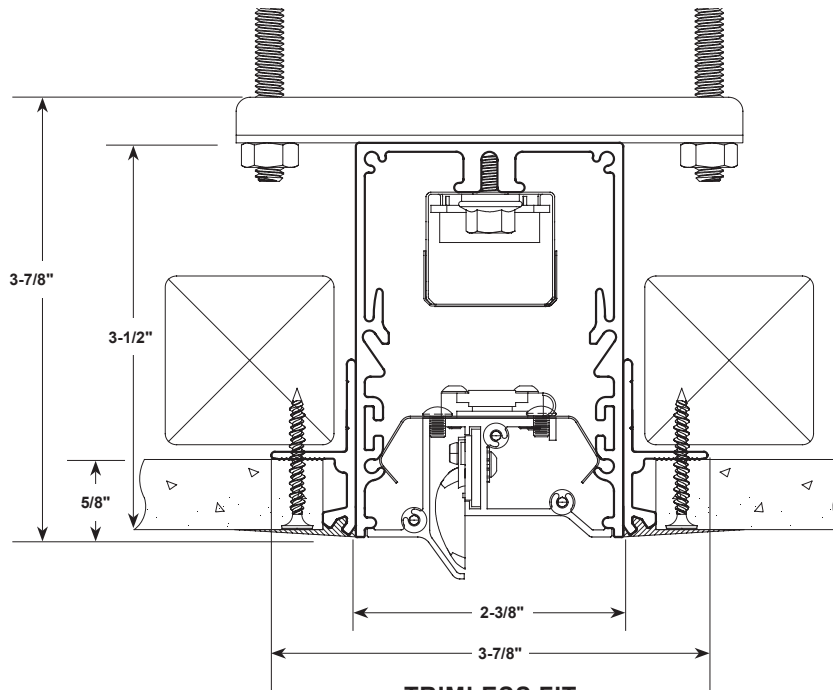
LM-79 testing was measured under a controlled 25C (77F) ambient operating temperature.



MLW2-N5/F Series | LIGHTWASH

Architectural Linear LED Wall Washing System | Recessed Drywall

Dimensional Data



**TRIMLESS FIT
FOR 5/8" DRYWALL**
(REQUIRES PLASTERING-IN
AFTER INSTALLATION BY OTHERS)

