

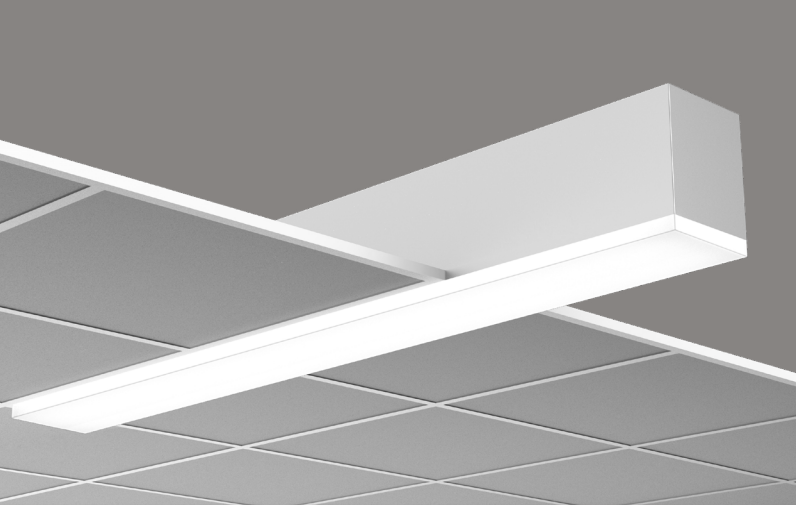
LIGHTSTREAMS

MLD3-G SERIES ⚡ LIGHTNING PROGRAM

UPDATED ON 12-05-24

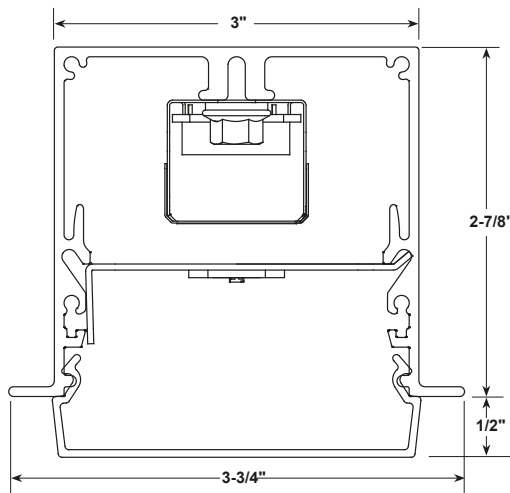
**DROP OR FLAT LENS
RECESSED MOUNT FOR GRID CEILINGS**

Architectural Linear LED Illuminating System | LIGHTSTREAMS 3



Features

- Extruded aluminum housing for perfectly straight lines of light.
- Narrow 3-inch wide profile.
- Linear lengths; 2-ft. and above in increments of one- inch.
- Custom formulated high diffusion extruded acrylic lens.
- Featured lens is a 1/2-inch drop style.
- Optional: 1-inch or 1-1/2-inch drop lens.
- Optional: flat style lens.
- Non-glare matte-white polyester powder coating finish.
- Recessed for various grid ceiling types.
- Cataloged standard or custom set lumens-per-foot performances.
- 80 CRI standard. 90 CRI available.
- IC rated.
- CCEA option available.
- Fixture lumens per watt ratios up to 123.
- Tunable white feature optional.
- Standard and custom corners
- American Made.
- Lightning Program eligible (ships in 15 days or less): See ordering data for options. ⚡



Performance

Based on 4Ft. Module, 3500K, 80 CRI-Signify LV6 LED Boards

LUMENS PER/FT	TOTAL LUMENS	WATTS	LPW
A05 LENS			
400	1600	13.9	115
500	2000	17.4	115
625	2500	22.0	114
985	3940	36.3	109
A10 LENS			
400	1600	13.9	115
500	2000	17.4	115
625	2500	22.0	114
985	3940	36.3	109
A15 LENS			
400	1600	13.0	123
500	2000	16.2	123
625	2500	20.5	122
1050	4200	37.9	111

Multiplier for other Color Temp (K)

3000K	97%
3500K	100%
4000K	102%
5000K	103%



Actual performance may differ by +/- 5% when operating between 120V-277V +/- 10%. Consult Factory for 90 CRI performances.

Based on 4Ft. Module, 3500K, 80 CRI, Special Asymmetric Lens

Lumens per Foot	Total Lumens (4Ft)	System Watts (W)	Lumens per Watt (LPW)
400	1600	11.0	145
500	2000	13.8	145
625	2500	17.5	143
825	3300	23.7	139
1305	5220	39.3	133

Multiplier for other Color Temp (K)

3000K	97%
3500K	100%
4000K	102%
5000K	103%



Actual performance may differ by +/- 5% when operating between 120V-277V +/- 10%. Consult Factory for 90 CRI performances.

Based on 4Ft. Module, 3500K, 80 CRI, Special Batwing Lens

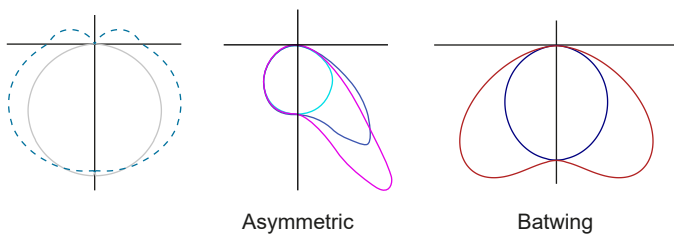
Lumens per Foot	Total Lumens (4Ft)	System Watts (W)	Lumens per Watt (LPW)
400	1600	11.6	138
500	2000	14.7	136
625	2500	18.7	134
825	3300	24.3	136
1275	5100	39.4	129

Multiplier for other Color Temp (K)

3000K	97%
3500K	100%
4000K	102%
5000K	103%



Actual performance may differ by +/- 5% when operating between 120V-277V +/- 10%. Consult Factory for 90 CRI performances.



Fixture Type:	Job Information:
---------------	------------------



MLD3-G Series | LIGHTSTREAMS 3

Architectural Linear LED Illuminating System | Drop or Flat Lens | Recessed Mount For Grid Ceilings

Ex: MLD3-G-144-985-35K-A05-1%-U-EM12

Options

Series	Mounting	Module or Row Length	Lumens/ Ft	Color Temp	Diffuser	Driver	Voltage	Standby Modules*	Misc.
MLD3 LightStreams 3	G Grid 9/16" or 15/16"	48 48" Length	400 A05 LENS 500 625 985	30K 35K 40K 50K Upon Request	A05 1/2" Drop	1% 0-10% Dimming	U Uni 120V-277V	EM7 EM10 EM12	WL UL "Suitable for Wet Locations" labeled.
		96 96" Length	400 A10 LENS 500 625 985						
LP-MLD3 Lightning Program	S Screw Slot or Interlude Grid 9/16"	144 144" Length	400 A15 LENS 500 625 1050	90 CRI	A15 1-1/2" Drop	SR Sensor Ready (Required for Certain Controls, Contact Factory)	7 277V	X As Specified	
		Custom or Row Length. 24" and above in 1" Increments. Ex. in inches: 82, 384, etc.	400 ASYM LENS 625 825 1305						
		400 BATWING LENS 500 625 825 1275	BATWING Batwing Distribution						
		Custom Lumen Package. Contact Factory							



All options highlighted in BLUE are eligible for Lightning Program (same quality product, shipped in 15 days or less)

*Available in modules of 4-ft. and longer. Maximum 900 Lumens per foot packages.

Housings

Extruded aluminum profile in a 0.080-inch wall thickness.

Maximum length of each linear component is 12-ft.

.060 aluminum ends are provided where needed at row termini.

A one-piece 14GA galvanized steel joiner/aligner bracket is provided for each joint between housings.

Internal cold-rolled steel components.

Housing intended for recessing into grid type ceiling systems.

Easy-use grid pry outs provided.

A custom formulated non-glare matte-white polyester powder coating provides an extremely durable and long-lasting finish.

Diffusers

Seamless fit diffusers. Flawless and consistent end-to-end fit.

Extruded from custom formulated acrylic smooth opal material.

Allows maximum light transmission while eliminating pixilation and hot spots.

Standard diffuser is 1/2-inch drop style.

Optional diffusers; 1-inch or 1-1/2-inch drop style or flat style.

Smooth finish compliments the architectural elements.

LED Modules

High performance linear configured LED module boards.

Each board consists of multiple mid-power, high efficacy LEDs in a precise layout eliminating the need for supplemental heat sinking.

The boards produce an even and diffuse light which maximizes optical efficiency.

Compatible with the dimming performance of the LED driver.

Color temperatures available 80 CRI: 3000K, 3500K and 4000K. Upon request: 5000K.

Color temperatures available 90 CRI: 2700K, 3000K, 3500K and 4000K.



Tunable White Option

Field tunable range 2700K through 6500K. 80CRI.

LED Drivers

Factory programmable constant current LED power supply.

Multiple standard drive current outputs (factory set by Mercury) are cataloged with their corresponding lumens-per-foot offering. Upon request, custom drive current outputs and lumens-per-foot options are available.

Note: Certain cataloged lumens-per-foot offerings may be provided with a non-programmable constant current LED power supply at Mercury's discretion. Contact factory if critical.

Universal voltage input, 120V-277V, 50HZ-60HZ.

Continuous dimming capability down to 1%-standard.

0.1% available upon request.

Dim to Dark option available upon request.

Sensor ready (SR) drivers compatible with most lighting controls are optional. Consult factory.

Lutron driver available: LDE1 series.

Standby Lighting Options

Self-contained module, 7W, 10W or 12W as specified. Battery backup upon loss of power. Available in modules of 4-Ft. and longer. (Limited to 900 Lumens per foot packages).

Installations

Designed for recessed installation into acoustical grid ceiling systems.

See ceiling types section. Availability for various types; 15/16" grid, 9/16" grid, 9/16" screw-slot, 9/16" interlude.

For drywall applications see appropriate specification sheets for those ceiling types.

Grid pry outs lock over top of gridwork. Auxiliary suspension required to building structure.

Lengths of 12-ft. and less to use one housing with two ends pre-installed.

Lengths over 12-ft. will be engineered to job requirements using multiple housings with one end pre-installed at each row end.

Lengths over 12-ft. will include appropriate job required quick-connect plug-thru wire harnesses and housing joiners.

Wiring access plate provided on top. End plates have 7/8" KO.

Certificate of Safety Compliance and Listings

Luminaire: UL and CUL listed 1598 and bears their label. Suitable for damp locations.

IC rated.

Optional: Suitable for wet locations marking is available. Some limitations apply. Contact factory for all details.

CCEA option meets the City of Chicago Environmental Air specifications.

Lightning Program

Same quality product, shipped in 15 days or less (if drawings are required, 15 days or less starts after drawings are released).

Entire order must qualify for Lightning Program in order to meet freight charges. Please contact our sales team if unsure your order will qualify.

Options highlighted in Blue, 500 linear feet or less, are eligible for quick ship Lightning Program.

Relates to straight runs ONLY.

Other variations not highlighted in blue may be available under Lightning Program. Please consult factory.

Specify LP-MLD3 when placing order if you would like to use Lightning Program.

Warranty

5-year limited warranty is standard. Special 10-year warranty available on a job-to-job basis. Complete LED warranty terms available at www.merclt.com.

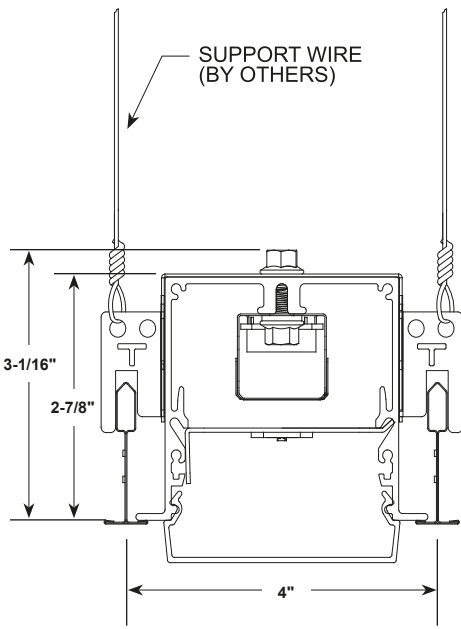
Actual performance may differ as a result of end-user environment and application.

Most LED luminaires are suitable to operate in ambient temperatures from -20C (-4F) to 25C (77F).

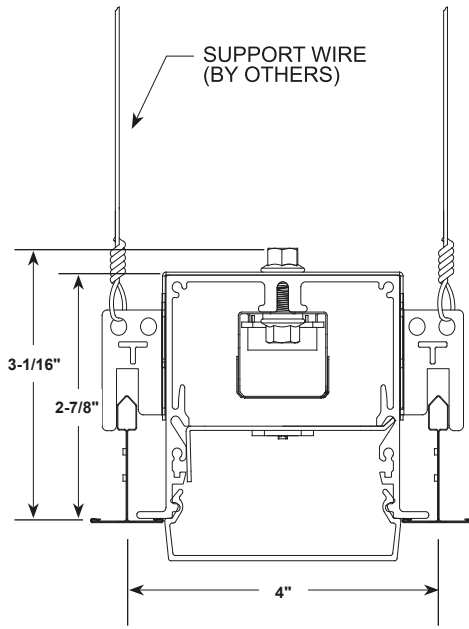
The following exclusions apply: Luminaires with standby lighting option, integral lighting controls options, or wireless control options. Consult factory.

LM-79 testing was measured under a controlled 25C (77F) ambient operating temperature.

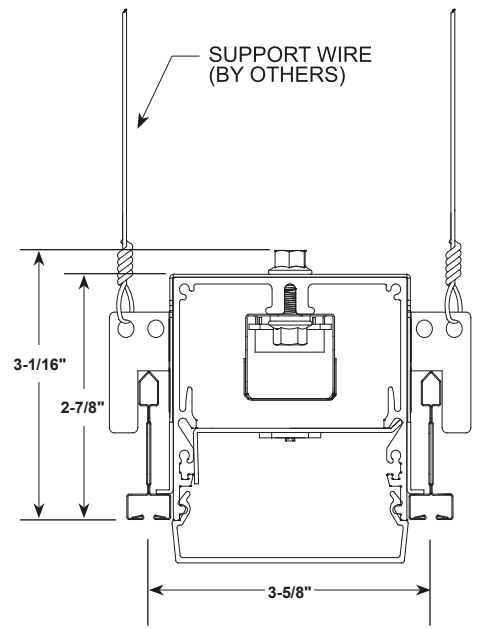
Grid Ceiling Types and Dimensions



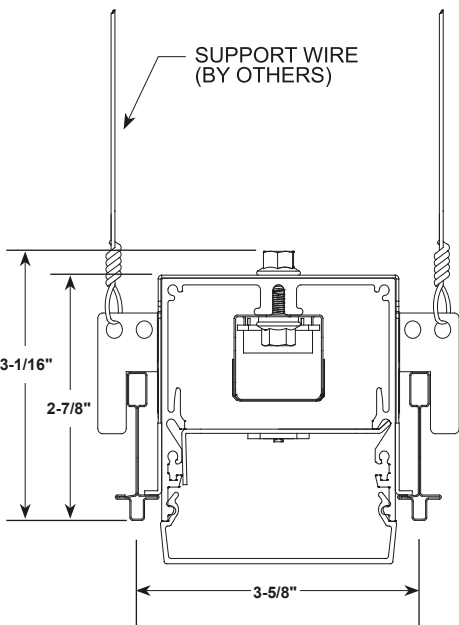
9/16 GRID



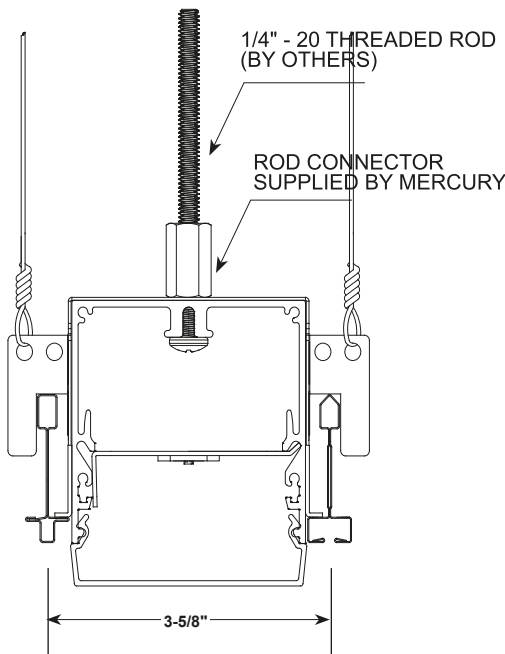
15/16 GRID



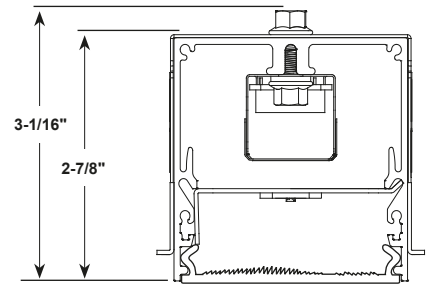
9/16 SCREW SLOT



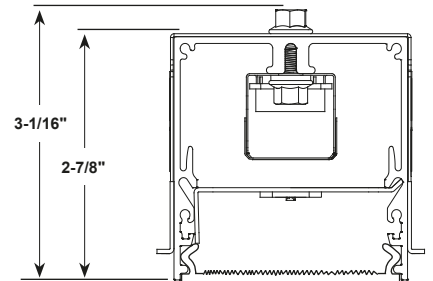
9/16 INTERLUDE



OPTIONAL SCREW MOUNTING METHOD



ASYMMETRIC DIFFUSER



BATWING DIFFUSER

