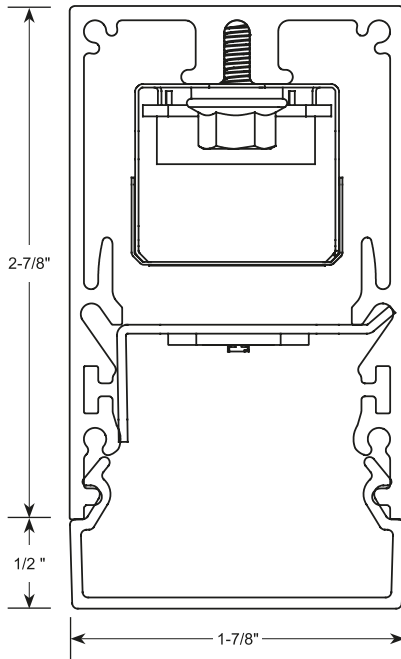


Architectural Linear LED Illuminating System | LIGHTSTREAMS 2



### Features

- Extruded aluminum housing for perfectly straight lines of light.
- Narrow profile; 1-7/8-inch width.
- Linear lengths; 2-ft. and above in increments of one-inch.
- Custom formulated high diffusion extruded acrylic lens.
- Featured lens is a 1/2-inch drop style.
- Optional: 1-inch or 1-1/2-inch drop lens.
- Optional: flat style lens.
- Non-glare matte-white polyester powder coating finish.
- Cable or stem mount from ceiling, or direct surface mount.
- 80 CRI standard. 90 CRI available.
- Cataloged standard or custom set lumens-per-foot performances.
- Continuous dimming capability down to 1% on 0-10V controls.
- Fixture lumens per watt ratios up to 117.
- Tunable white feature optional.
- Standard and custom corners
- American Made.
- Lightning Program eligible (ships in 15 days or less): See ordering data for options. ⚡



### Performance

Based on 4Ft. Module, 3500K, 80 CRI-Signify LV6 LED Boards

Lumens per Foot	Delivered Lumens (L)	System Watts (W)	Lumens per Watt (LPW)
<b>A05 LENS</b>			
400	1600	15.0	107
500	2000	18.7	107
625	2500	23.5	106
825	3300	31.5	105
950	3800	36.6	104
<b>A10 LENS</b>			
400	1600	14.3	112
500	2000	17.9	112
625	2500	22.5	111
825	3300	29.9	110
1000	4000	36.8	109
<b>A15 LENS</b>			
400	1600	13.7	117
500	2000	17.1	117
625	2500	21.5	116
825	3300	28.5	116
1025	4100	35.8	115

Multiplier for other Color Temp (K)  
 3000K 97%  
 3500K 100%  
 4000K 102%  
 5000K 103%



Actual performance may differ by +/- 5% when operating between 120V-277V +/- 10%. Consult Factory for 90 CRI performances.

Based on 4Ft. Module, 3500K, 80 CRI, Special Asymmetric Lens

Lumens per Foot	Total Lumens (4Ft)	System Watts (W)	Lumens per Watt (LPW)
400	1600	14.0	114
500	2000	17.2	116
625	2500	21.3	117
825	2889	26.4	125
1180	4720	41.6	113

Multiplier for other Color Temp (K)  
 3000K 97%  
 3500K 100%  
 4000K 102%  
 5000K 103%



Actual performance may differ by +/- 5% when operating between 120V-277V +/- 10%. Consult Factory for 90 CRI performances.

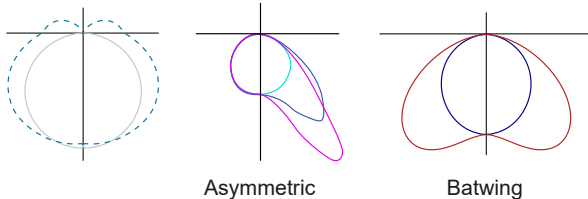
Based on 4Ft. Module, 3500K, 80 CRI, Special Batwing Lens

Lumens per Foot	Delivered Lumens (L)	System Watts (W)	Lumens per Watt (LPW)
400	1600	13.5	119
500	2000	16.9	118
625	2500	21.4	117
825	3300	28.8	115
1090	4360	39.4	111

Multiplier for other Color Temp (K)  
 3000K 97%  
 3500K 100%  
 4000K 102%  
 5000K 103%



Actual performance may differ by +/- 5% when operating between 120V-277V +/- 10%. Consult Factory for 90 CRI performances.



Fixture Type:  Job Information:




# MLD2-M Series | LIGHTSTREAMS 2

Architectural Linear LED Illuminating System | Drop or Flat Lens Suspended or Surface Mount

Ex: MLD2-M-144-825-35K-A10-1%-U-EM12

Options

Series	Mounting	Module or Row Length	Lumens/Ft	Color Temp	Diffuser	Driver	Voltage	Standby Modules*	Custom Hanging Points	Misc.			
MLD2 LightStreams 2  LP-MLD2 Lighting Program	<b>M</b> Suspended Cable Mount	<b>48</b> 48" Length	<b>400</b> <b>500</b> <b>625</b> <b>825</b> <b>950</b>	30K 35K 40K 50K Upon Request	<b>A05</b> LENS	1% 0-10% Dimming	U Uni 120V-277V	EM7 EM10 EM12	As Specified	WL UL "Suitable for Wet Locations" labeled..			
		96 96" Length	80 CRI								1 1/2" Drop 1" Drop 1-1/2" Drop	1 120V 7 277V	No Option
		144 144" Length	90 CRI										
	Custom or Row Length, 24" and above in 1" Increments. Ex. in inches: 82, 384, etc.	<b>A10</b> LENS	400 500 625 825 1000	TW 27K-65K	SR Sensor Ready (Required for Certain Controls, Contact Factory)	eL eldoLED Solo 0.1%	LDE1 Lutron Hi-Lume						
		<b>A15</b> LENS	400 500 625 825 1025	927K 930K 935K 940K				ASYM Asymmetric					
		<b>ASYM</b> LENS	400 500 625 825 1180	BATWING LENS					BW Batwing Distribution				
	<b>BATWING</b> LENS	400 500 625 825 1090	As Specified										
	Custom Lumen Package, Contact Factory												

 All options highlighted in BLUE are eligible for **Lightning Program** (same quality product, shipped in 15 days or less)  
\*Available in modules of 4-ft. and longer.

## Housings

Extruded aluminum profile in a 0.080-inch wall thickness. Maximum length of each linear component is 12-ft. .060 aluminum ends are provided where needed at row termini. A one-piece 14GA galvanized steel joiner/aligner bracket is provided for each joint between housings. Internal cold-rolled steel components. Standard or custom hanging points are provided. A custom formulated non-glare matte-white polyester powder coating provides an extremely durable and long lasting finish. Custom color finishes on request.

## Diffusers

Seamless fit diffusers. Flawless and consistent end-to-end fit. Extruded from custom formulated acrylic smooth opal material. Allows maximum light transmission while eliminating pixilation and hot spots. Standard diffuser is 1/2-inch drop style. Optional diffusers; 1-inch or 1-1/2-inch drop style or flat style. Smooth finish compliments the architectural elements.

## LED Modules

High performance linear configured LED module boards. Each board consists of multiple mid-power, high efficacy LEDs in a precise layout eliminating the need for supplemental heat sinking. The boards produce an even and diffuse light which maximizes optical efficiency. Compatible with the dimming performance of the LED driver. Color temperatures available 80 CRI: 3000K, 3500K and 4000K. Upon request: 5000K.



Mercury Lighting Products Co, Inc. | 20 Audrey Place STE 2 | Fairfield, NJ 07004-3416 | Tel: 800.637.2584 | Fax: 973.244.9522 | mercltg.com

Specifications subject to change, consult factory when critical.

Color temperatures available 90 CRI: 2700K, 3000K, 3500K and 4000K.

## Tunable White Option

Field tunable range 2700K through 6500K. 80CRI.

## LED Drivers

Factory programmable constant current LED power supply.

Multiple standard drive current outputs (factory set by Mercury) are cataloged with their corresponding lumens-per-foot offering. Upon request, custom drive current outputs and lumens-per-foot options are available.

Note: Certain cataloged lumens-per-foot offerings may be provided with a non-programmable constant current LED power supply at Mercury's discretion. Contact factory if critical.

Universal voltage input, 120V-277V, 50HZ-60HZ.

Continuous dimming capability down to 1%-standard. 0.1% available upon request.

Dim to Dark option available upon request.

Sensor ready (SR) drivers compatible with most lighting controls are optional. Consult factory.

Lutron driver available: LDE1 series.

## Standby Lighting Options

Self contained module, 7W, 10W or 12W as specified. Battery backup upon loss of power. Available in modules of 4-ft. and longer.

## Corners

Standard 90 degree corners.

Custom angled corners.

## Installations

Designed to be suspended on cables. Specify **M**

For direct surface mounting to most ceiling types, specify **M1** and consult factory.

For stem mounting specify **M2** and consult factory.

Lengths over 12-ft. will be engineered to job requirements using multiple housings with one end pre-installed at each row end.

Lengths over 12-ft. will include appropriate job required quick-connect plug-thru wire harnesses and housing joiners.

All individual modules or multiple module runs to include job required feed wire as specified.

Standard or custom hanging points will be provided per job specifications.

Standard or custom hanging points will be provided per job specifications.

## Certificate of Safety Compliance and Listings

Luminaire: UL and CUL listed 1598 and bears their label. Suitable for damp locations.

Optional: Suitable for wet locations marking is available. Some limitations apply. Contact factory for all details.

## Lightning Program

Same quality product, shipped in 15 days or less (if drawings are required, 15 days or less starts after drawings are released).

Entire order must qualify for **Lightning Program** in order to meet freight charges. Please contact our sales team if unsure your order will qualify.

Options highlighted in Blue, 500 linear feet or less, are eligible for quick ship **Lightning Program**.

Relates to straight runs ONLY.

Other variations not highlighted in blue may be available under **Lightning Program**. Please consult factory.

Specify **LP-MLD2** when placing order if you would like to use **Lightning Program**.

## Warranty

5-year limited warranty is standard. Special 10-year warranty available on a job-to-job basis. Complete LED warranty terms available at [www.mercltg.com](http://www.mercltg.com).

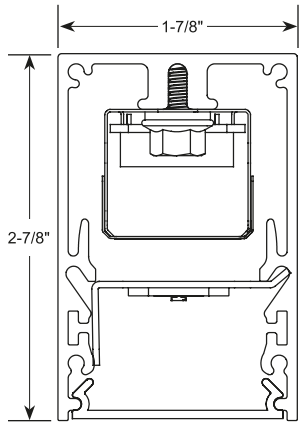
Actual performance may differ as a result of end-user environment and application.

Most LED luminaires are suitable to operate in ambient temperatures from -20C (-4F) to 25C (77F).

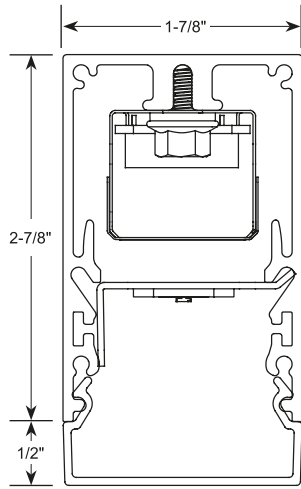
The following exclusions apply: Luminaires with standby lighting option, integral lighting controls options, or wireless control options. Consult factory.

LM-79 testing was measured under a controlled 25C (77F) ambient operating temperature.

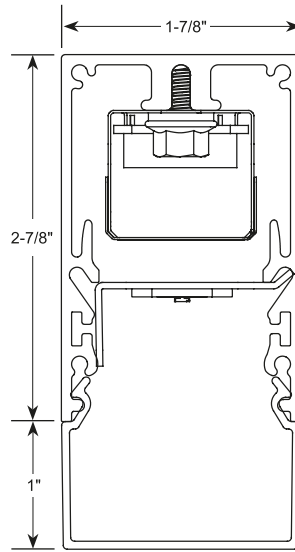
**Dimensional Data**



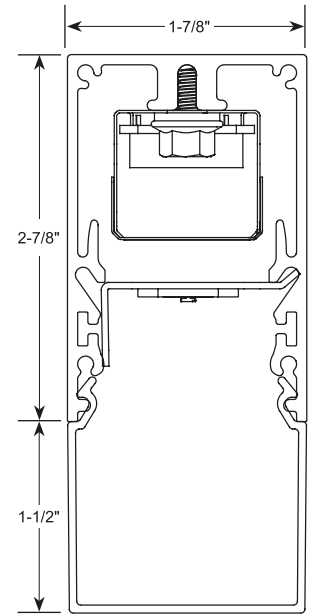
**FLAT DIFFUSER**



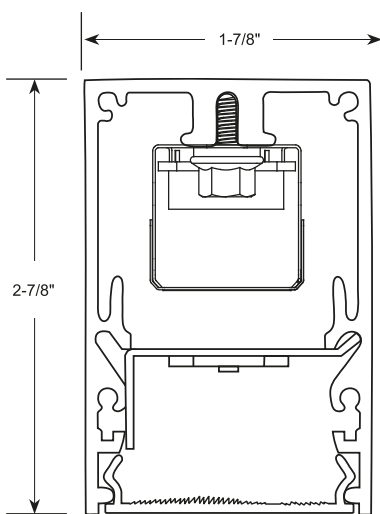
**1/2" DROP**



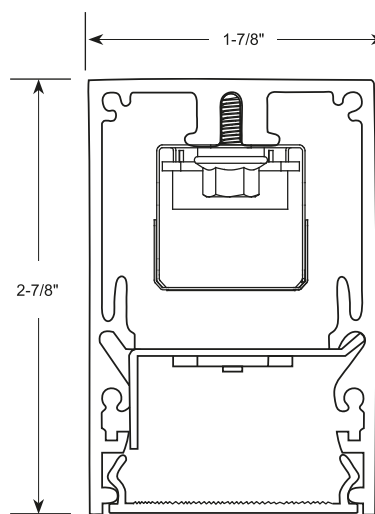
**1" DROP**



**1-1/2" DROP**

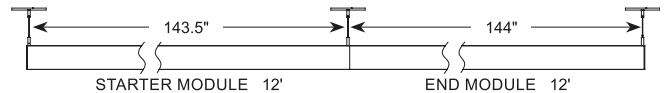
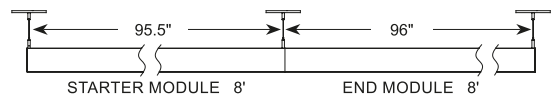
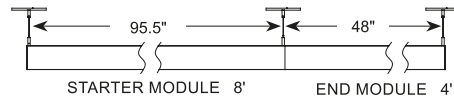
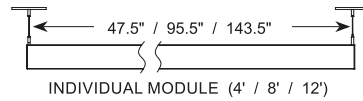


**ASYMMETRIC  
DIFFUSER**



**BATWING  
DIFFUSER**

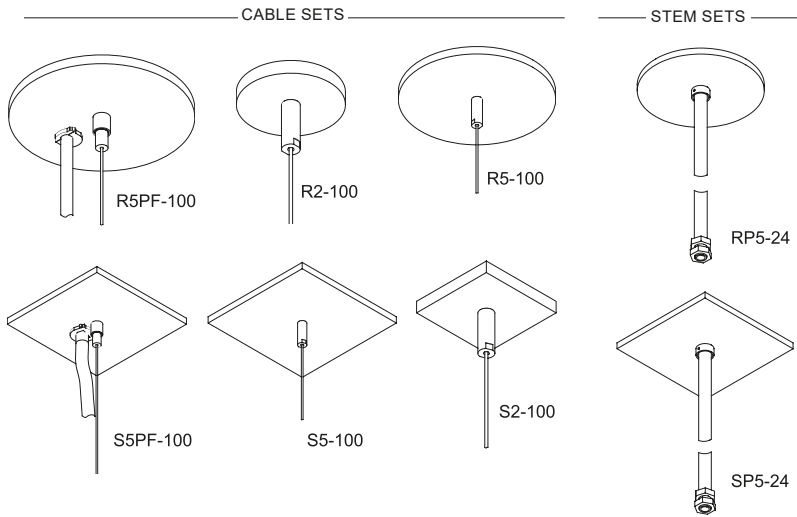
**Mounting Information**



Consult factory for additional row length information



## Hanging Accessories



Part #	Description
R5PF-100	Round 5" power feed canopy, Hanging hardware, 100" long 1/16" cable.
R5-100	Round 5" canopy, Hanging hardware, 100" long 1/16" cable.
R2-100	Round 2" canopy, Hanging hardware, 100" long 1/16" cable.
S5PF-100	Square 5" power feed canopy, Hanging hardware, 100" long 1/16" cable.
S5-100	Square 5" canopy, Hanging hardware, 100" long 1/16" cable.
S2-100	Square 2" canopy, Hanging hardware, 100" long 1/16" cable.
RP5-24	Round 5" canopy, Hanging hardware, 24" long 1/2" dia. stem.
SP5-24	Square 5" canopy, Hanging hardware, 24" long 1/2" dia. stem.

Other cable and stem lengths available. Consult factory.