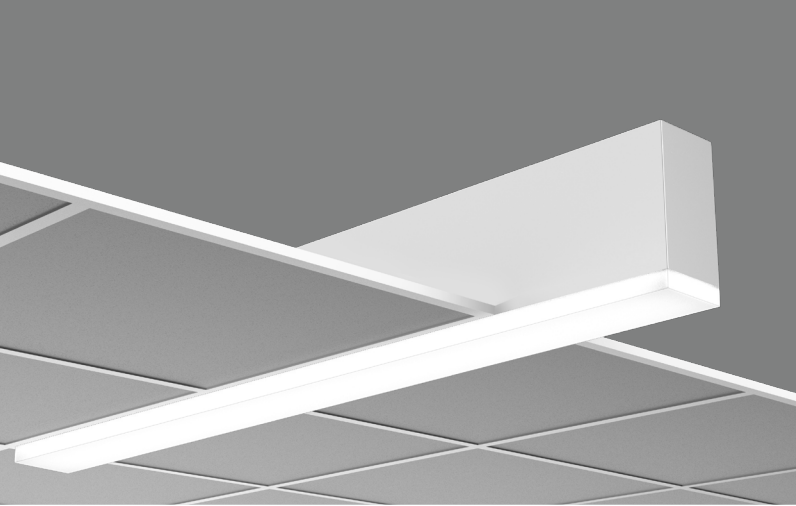


# LIGHTSTREAMS

MLD2-G SERIES ⚡ LIGHTNING PROGRAM

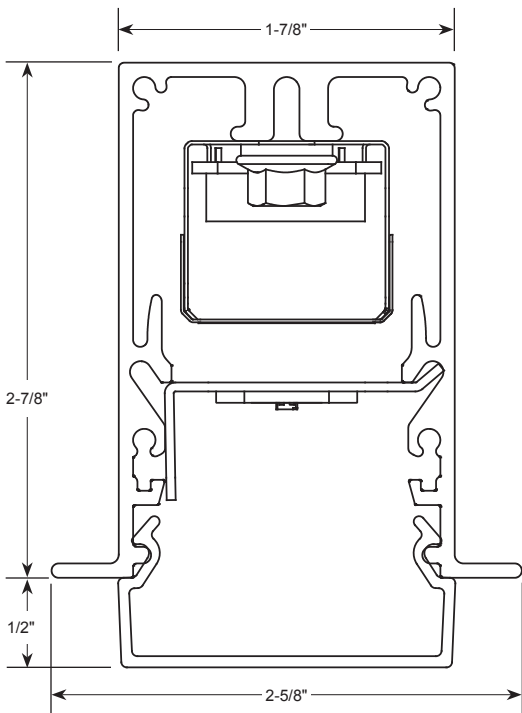
**DROP OR FLAT LENS  
RECESSED MOUNT FOR GRID CEILINGS**

Architectural Linear LED Illuminating System | LIGHTSTREAMS 2



## Features

- Extruded aluminum housing for perfectly straight lines of light.
- Narrow profile; 1-7/8-inch width.
- Linear lengths; 2-ft. and above in increments of one-inch.
- Custom formulated high diffusion extruded acrylic lens.
- Featured lens is a 1/2-inch drop style.
- Optional: 1-inch or 1-1/2-inch drop lens.
- Optional: flat style lens.
- Non-glare matte-white polyester powder coating finish.
- Recessed for various grid ceiling types.
- 80 CRI standard. 90 CRI available.
- Cataloged standard or custom set lumens-per-foot performances.
- Continuous dimming capability down to 1% on 0-10V controls.
- IC rated.
- CCEA option available.
- Fixture lumens per watt ratios up to 117.
- Tunable White feature optional.
- Standard and custom corners
- American Made.
- Lightning Program eligible (ships in 15 days or less): See ordering data for options. ⚡



## Performance

Based on 4Ft. Module, 3500K, 80 CRI- Signify LV6 LED Boards

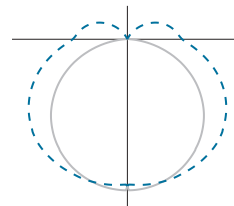
Lumens per Foot	Delivered Lumens (L)	System Watts (W)	Lumens per Watt (LPW)
<b>A05 LENS</b>			
400	1600	15.0	107
500	2000	18.7	107
625	2500	23.5	106
825	3300	31.5	105
950	3800	36.6	104
<b>A10 LENS</b>			
400	1600	14.3	112
500	2000	17.9	112
625	2500	22.5	111
825	3300	29.9	110
1000	4000	36.8	109
<b>A15 LENS</b>			
400	1600	13.7	117
500	2000	17.1	117
625	2500	21.5	116
825	3300	28.5	116
1025	4100	35.8	115

Multiplier for other Color Temp (K)

3000K	97%
3500K	100%
4000K	102%
5000K	103%



Actual performance may differ by +/- 5% when operating between 120V-277V +/- 10%. Consult Factory for 90 CRI performances.



Fixture Type:

Job Information:

# MLD2-G Series | LIGHTSTREAMS 2

Architectural Linear LED Illuminating System | Drop or Flat Lens | Recessed Mount For Grid Ceilings

Ex: MLD2-G-144-825-35K-A10-1%-U-EM12

Options

Series	Mounting	Module or Row Length	Lumens/ Ft	Color Temp	Diffuser	Driver	Voltage	Standby Modules*	Misc.
<b>MLD2</b> LightStreams 2	<b>G</b> Grid 9/16" or 15/16"	<b>48</b> 48" Length	<b>A05 LENS</b> <b>400</b> <b>500</b> <b>625</b> <b>825</b> <b>950</b>	<b>30K</b> <b>35K</b> <b>40K</b>	<b>A05</b> 1/2" Drop	<b>1%</b> 0-10% Dimming	<b>U</b> Uni 120V-277V	<b>EM7</b> <b>EM10</b> <b>EM12</b>	<b>WL</b> UL "Suitable for Wet Locations" labeled.
<b>LP-MLD2</b> Lightning Program	<b>S</b> Screw Slot or Interlude Grid 9/16"	<b>96</b> 96" Length <b>144</b> 144" Length	<b>825</b> <b>950</b> <b>A10 LENS</b> <b>400</b> <b>500</b> <b>625</b> <b>825</b> <b>1000</b> <b>A15 LENS</b> <b>400</b> <b>500</b> <b>625</b> <b>825</b> <b>1025</b>	<b>50K</b> Upon Request <b>TW</b> 27K-65K	<b>A10</b> 1" Drop <b>A15</b> 1-1/2" Drop <b>ASO</b> Flat	<b>1% DD</b> 0-10% Dimming Dim to Dark <b>SR</b> Sensor Ready (Required for Certain Controls, Contact Factory) <b>eL</b> eldoLED Solo 0.1% <b>LDE1</b> Lutron Hi-Lume	<b>1</b> 120V <b>7</b> 277V <b>X</b> As Specified	No Option	<b>CCEA</b> Meets the City of Chicago Environmental Air specifications.
		Custom or Row Length. 24" and above in 1" Increments. Ex. in inches: 82, 384, etc.	Custom Lumen Package. Contact Factory	80 CRI 90 CRI					

 All options highlighted in BLUE are eligible for **Lightning Program** (same quality product, shipped in 15 days or less)

\*Available in modules of 4-ft. and longer. / Maximum 875 Lumens per foot packages.

## Housings

Extruded aluminum profile in a 0.080-inch wall thickness. Maximum length of each linear component is 12-ft. .060 aluminum ends are provided where needed at row termini.

A one-piece 14GA galvanized steel joiner/aligner bracket is provided for each joint between housings.

Internal cold-rolled steel components.

Housing intended for recessing into grid type ceiling systems.

Easy-use grid pry outs provided.

A custom formulated non-glare matte-white polyester powder coating provides an extremely durable and long-lasting finish.

## Diffusers

Seamless fit diffusers. Flawless and consistent end-to-end fit.

Extruded from custom formulated acrylic smooth opal material.

Allows maximum light transmission while eliminating pixilation and hot spots.

Standard diffuser is 1/2-inch drop style.

Optional diffusers; 1-inch or 1-1/2-inch drop style or flat style.

Smooth finish compliments the architectural elements.

## LED Modules

High performance linear configured LED module boards.

Each board consists of multiple mid-power, high efficacy LEDs in a precise layout eliminating the need for supplemental heat sinking.

The boards produce an even and diffuse light which maximizes optical efficiency.

Compatible with the dimming performance of the LED driver.

Color temperatures available 80 CRI: 3000K, 3500K and 4000K. Upon request: 5000K.

Color temperatures available 90 CRI: 2700K, 3000K, 3500K and 4000K.



## Tunable White Option

Field tunable range 2700K through 6500K.

80CRI.

## LED Drivers

Factory programmable constant current LED power supply.

Multiple standard drive current outputs (factory set by Mercury) are cataloged with their corresponding lumens-per-foot offering. Upon request, custom drive current outputs and lumens-per-foot options are available.

Note: Certain cataloged lumens-per-foot offerings may be provided with a non-programmable constant current LED power supply at Mercury's discretion. Contact factory if critical.

Universal voltage input, 120V-277V, 50HZ-60HZ.

Continuous dimming capability down to 1%-standard.

0.1% available upon request.

Dim to Dark option available upon request. .

Sensor ready (SR) drivers compatible with most lighting controls are optional. Consult factory.

Lutron driver available: LDE1 series.

## Standby Lighting Options

Self-contained module, 7W, 10W or 12W as specified. Battery backup upon loss of power. Available in modules of 4-Ft. and longer. (Limited to 875 Lumens per foot packages).

## Installations

Designed for recessed installation into acoustical grid ceiling systems.

See ceiling types section. Availability for various types; 15/16" grid, 9/16" grid, 9/16" screw-slot, 9/16" interlude.

For drywall applications see appropriate specification sheets for those ceiling types.

Grid pry outs lock over top of gridwork. Auxiliary suspension required to building structure.

Lengths of 12-ft. and less to use one housing with two ends pre-installed.

Lengths over 12-ft. will be engineered to job requirements using multiple housings with one end pre-installed at each row end.

Lengths over 12-ft. will include appropriate job required quick-connect plug-thru wire harnesses and housing joiners.

Wiring access plate provided on top. End plates have 7/8" KO.

## Certificate of Safety Compliance and Listings

Luminaire: UL and CUL listed 1598 and bears their label. Suitable for damp locations.

IC rated.

Optional: Suitable for wet locations marking is available. Some limitations apply. Contact factory for all details.

CCEA option meets the City of Chicago Environmental Air specifications.

## Lightning Program

Same quality product, shipped in 15 days or less (if drawings are required, 15 days or less starts after drawings are released).

Entire order must qualify for **Lightning Program** in order to meet freight charges. Please contact our sales team if unsure your order will qualify.

Options highlighted in Blue, 500 linear feet or less, are eligible for quick ship **Lightning Program**.

Relates to straight runs ONLY.

Other variations not highlighted in blue may be available under **Lightning Program**. Please consult factory.

Specify **LP-MLD2** when placing order if you would like to use **Lightning Program**.

## Warranty

5-year limited warranty is standard. Special 10-year warranty available on a job-to-job basis. Complete LED warranty terms available at [www.mercitg.com](http://www.mercitg.com).

Actual performance may differ as a result of end-user environment and application.

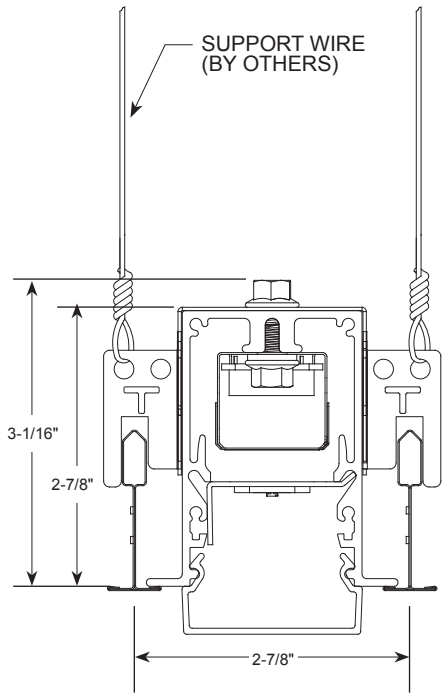
Most LED luminaires are suitable to operate in ambient temperatures from -20C (-4F) to 25C (77F).

The following exclusions apply: Luminaires with standby lighting option, integral lighting controls options, or wireless control options.

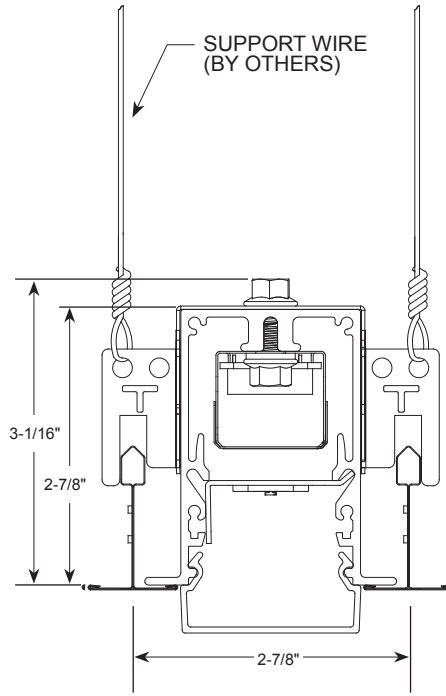
Consult factory.

LM-79 testing was measured under a controlled 25C (77F) ambient operating temperature.

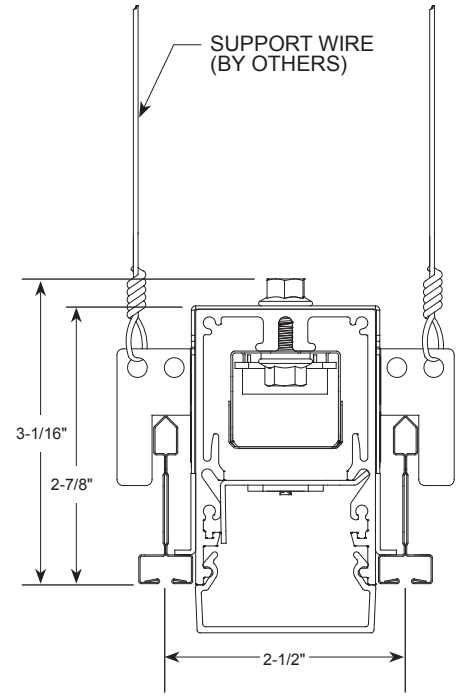
**Grid Ceiling Types and Dimensions**



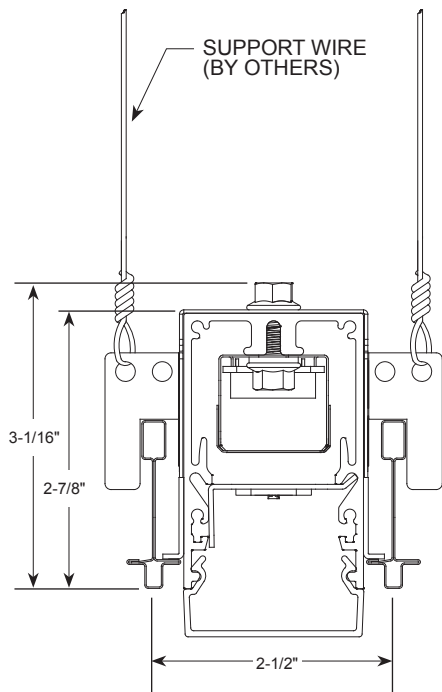
**9/16 GRID**



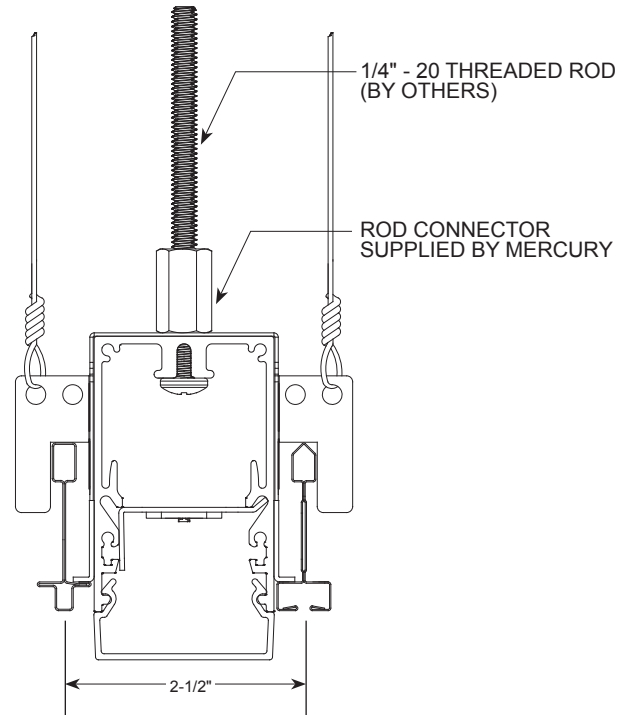
**15/16 GRID**



**9/16 SCREW SLOT**



**9/16 INTERLUDE**



**OPTIONAL SCREW MOUNTING METHOD**

