

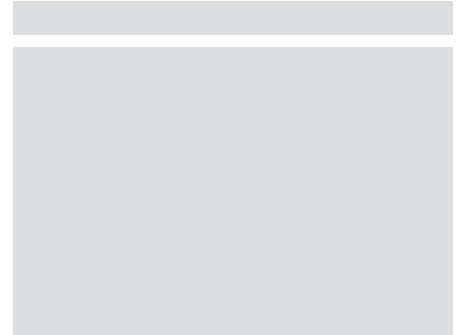


LW14 SERIES

Architectural Linear Ambient LED Luminaire

Fixture Type:

Job Information:

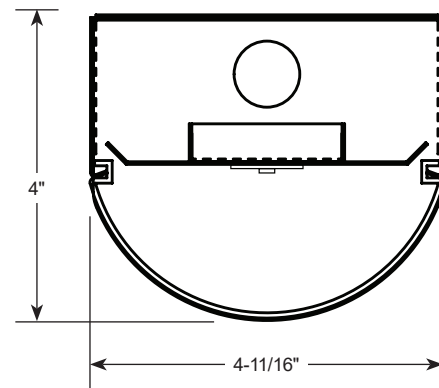


FEATURES:

- Shallow form linear ambient LED luminaire.
- Larger-scale rounded profile acrylic diffuser evenly surrounds the LED light source enabling a very wide and near-perfect light distribution.
- Compact design complies with all ADA requirements for public areas.
- Custom formulated high diffusion acrylic material allows for maximum light transmission while eliminating pixilation and hot spots.
- Optional integral side reflectors add both function and architectural contour.
- Nominal 2Ft., 4Ft. or 8Ft. long modules.
- Digital LED technology provides high efficacy and energy efficiency.
- Multiple power and light levels are offered as standard to allow meeting design and energy needs per application. Custom factory set levels available on request.
- Lumen maintenance; Reported L70 (hours) & L80 (hours) > 60,000.
- CRI greater than 80.
- Tunable white feature optional.
- Fixture lumens per watt ratios up to 142.
- American Made.



CROSS SECTION:



LW14 SERIES

Ex: LW14-4-3800-35K-HTA-1%-UNI-EM7

LW14			HTA		UNI		OPTIONS		
SERIES	NOMINAL LENGTH (FT)	NOMINAL LUMENS	COLOR TEMP	DIFFUSER	DRIVER	VOLTAGE	SIDE REFLECTORS	STANDBY MODULES	INTEGRAL LIGHTING CONTROLS
LW14 Architectural Linear Ambient LED Luminaire	2 24" Length	2100 2300 2500 2700	30K 35K 40K	HTA High Transmission Acrylic	1% 0-10V 1% Dimming As Specified	UNI	SR Symmetric Function Set of 2 Side Reflectors AR Asymmetric Function 1 Side Reflector SRA Symmetric Function Aperture Reflectors	EM7 EM10 EM12	O1 Leviton OSFHU mounts externally, for higher ceilings. O4 Wattstopper FS-155-1 mounts internally with only the PIF dome visible. O5 Leviton OSF10 mounts internally with only the PIF dome visible.
	4 45" Length	2100 3800 4500 5000 5700 8400 10,900	50K Upon Request TW 27K-65K						
	8 96" Length	7600 10,900 21,800	XXXX Custom Lumen Package. Contact Factory.						

LED MODULES:

- High performance linear configured LED module boards.
- Each board consists of multiple mid-power, high efficacy LEDs in a precise layout eliminating the need for supplemental heat sinking.
- The boards produce an even and diffuse light which maximizes optical efficiency.
- Compatible with the dimming performance of the LED driver.
- Color temperatures available: 3000K, 3500K and 4000K.
- Upon request: 5000K.

LED DRIVERS:

- Factory programmable constant current LED power supply.
- Multiple standard drive current outputs (factory set by Mercury) are cataloged with their corresponding lumen package offerings. Upon request, custom drive current outputs and lumen packages are available.
- Note: Certain cataloged lumen packages may be provided with a non-programmable constant current LED power supply at Mercury's discretion. Contact factory if critical.
- Universal voltage input, 120V-277V, 50HZ-60HZ.
- Specification grade dimming down to 1% on 0-10V dimming controls.

TUNABLE WHITE OPTION:

- Field tunable range 2700K through 6500K.
- 80CRI.

LED LUMEN PACKAGES:

- Cataloged standard lumen packages. See attached chart for full details.
- Custom lumen packages pre-set are optional with programmable drivers only. Contact factory for details.

HOUSING:

- Fabricated from heavy gauge code grade cold rolled steel with a white polyester powder coating finish for long lasting durability.
- Housing ends are welded into place.
- Sufficient electrical knockouts are provided on the housing back and ends.

REFLECTOR OPTIONS:

- Side reflectors are factory installed or can be field installed to the housing.
- May be used individually for one-side asymmetric function or in pairs for dual-side symmetric function.
- Aperture option; a series of architectural apertures allows a segment of up lighting.

DIFFUSER:

- Larger-scale rounded profile design.
- Extruded from custom formulated high transmission acrylic material.
- Linear ribbing for high LED performance.

STANDBY LIGHTING OPTION:

- Self contained module, 7W, 10W or 12W as specified. Battery backup upon loss of power.

OPTIONAL INTEGRAL LIGHTING CONTROLS:

- Self-contained motion sensors mount directly to luminaire.
- Passive infrared (PIF) technology for individual luminaire control.
- On/Off control with optional delay features.
- See ordering matrix for available sensors.
- System lighting controls available. Contact factory.

INSTALLATIONS:

- May be installed in any direction, individually or in continuous run applications.
- May be surface mounted or suspended.
- End knockouts for surface conduit entry.

CERTIFICATE OF SAFETY COMPLIANCE AND LISTINGS:

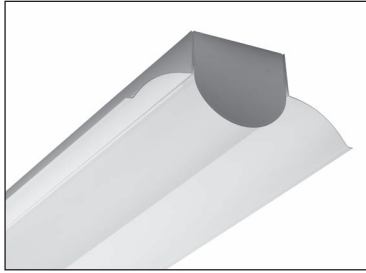
- Luminaire: UL and CUL listed 1598 and bears their label. Suitable for damp locations.

WARRANTY:

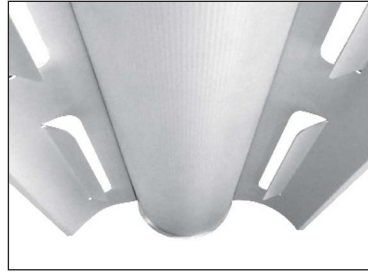
- 5-year limited warranty is standard. Special 10-year warranty available on a job-to-job basis. Complete LED warranty terms available at mercltg.com.
- Actual performance may differ as a result of end-user environment and application.
- Most LED luminaires are suitable to operate in ambient temperatures from -20C (-4F) to 25C (77F).
- The following exclusions apply: Luminaires with standby lighting option, integral lighting controls options, or wireless control options. Consult factory.
- LM-79 testing was measured under a controlled 25C (77F) ambient operating temperature.



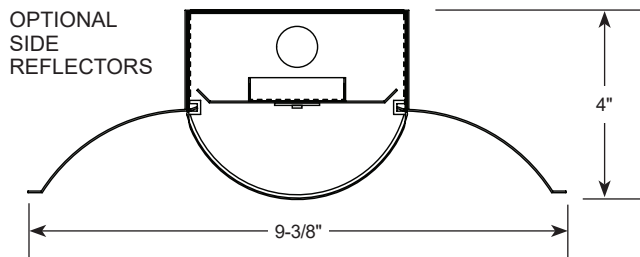
LW14 SERIES



Optional Side Reflectors



Optional Aperture Reflectors



HANGING ACCESSORIES

PART #	DESCRIPTION	PART #	DESCRIPTION
R5PF-100	Round 5" power feed canopy, Hanging hardware, 100" long 1/16" cable.	VH-XX	"V" Hanger w/XX= 48"L or 72"L Chain & "S" Hook
R5-100	Round 5" canopy, Hanging hardware, 100" long 1/16" cable.	CPYS-1	S-1 Single Stem 5" Dia. Canopy
R2-100	Round 2" canopy, Hanging hardware, 100" long 1/16" cable.	STMXX	XX= 12"L, 24"L, 48"L Stem/ 3/8" IPS-5/8" OD
S5PF-100	Square 5" power feed canopy, Hanging hardware, 100" long 1/16" cable.	Other cable lengths available.	
S5-100	Square 5" canopy, Hanging hardware, 100" long 1/16" cable.		
S2-100	Square 2" power feed canopy, Hanging hardware, 100" long 1/16" cable.		

PHOTOMETRICS

All photometric reports are available at mercltg.com.



LUMEN PACKAGE

Series	Nominal Length (FT)	Nominal Lumen Package	Color	Fixture Power (W)	Delivered Lumens	Fixture LPW
LW14	2	2100	3000K	17	2038	120
		2100	3500K	17	2106	124
		2100	4000K	17	2125	125
		2100	5000K	17	2125	125
	3	2300	3000K	18	2151	120
		2300	3500K	18	2222	123
		2300	4000K	18	2302	128
		2300	5000K	18	2302	128
		2500	3000K	19	2318	122
		2500	3500K	19	2394	126
	4	2500	4000K	19	2502	132
		2500	5000K	19	2502	132
		2700	3000K	22	2592	118
		2700	3500K	22	2679	122
2700		4000K	22	2703	123	
2700		5000K	22	2703	123	

Series	Nominal Length (FT)	Nominal Lumen Package	Color	Fixture Power (W)	Delivered Lumens	Fixture LPW
LW14	4	2100	3000K	15	2040	136
		2100	3500K	15	2108	141
		2100	4000K	15	2127	142
		2100	5000K	15	2127	142
		3800	3000K	29	3679	127
		3800	3500K	29	3802	131
	5	3800	4000K	29	3836	132
		3800	5000K	29	3836	132
		4500	3000K	34	4329	127
		4500	3500K	34	4472	132
		4500	4000K	34	4514	133
		4500	5000K	34	4514	133
	6	5000	3000K	39	4801	123
		5000	3500K	39	4961	127
		5000	4000K	39	5006	128
		5000	5000K	39	5006	128
		5700	3000K	45	5485	122
		5700	3500K	45	5667	126
	7	5700	4000K	45	5719	127
		5700	5000K	45	5719	127
		8400	3000K	64	8220	128
		8400	3500K	64	8431	132
		8400	4000K	64	8431	132
		8400	5000K	64	8756	137
8	10,900	3000K	84	10,481	125	
	10,900	3500K	84	10,828	129	
	10,900	4000K	84	10,928	130	
	10,900	5000K	84	10,928	130	
	21,800	3000K	168	20,962	125	
	21,800	3500K	168	21,656	129	
9	21,800	4000K	168	21,856	130	
	21,800	5000K	168	21,856	130	

Series	Nominal Length (FT)	Nominal Lumen Package	Color	Fixture Power (W)	Delivered Lumens	Fixture LPW
LW14	8	7600	3000K	56	7302	130
		7600	3500K	56	7544	135
		7600	4000K	56	7613	136
		7600	5000K	56	7613	136
	10	10,900	3000K	84	10,481	125
		10,900	3500K	84	10,828	129
		10,900	4000K	84	10,928	130
		10,900	5000K	84	10,928	130
		21,800	3000K	168	20,962	125
		21,800	3500K	168	21,656	129
	12	21,800	4000K	168	21,856	130
		21,800	5000K	168	21,856	130

Actual wattage may differ by +/- 5% when operating between 120V-277V +/- 10%.