



LW4 SERIES

Architectural Linear Ambient LED Luminaire

Fixture Type:

Job Information:

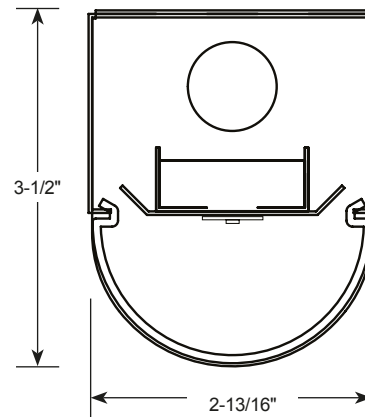


FEATURES:

- Shallow form linear ambient LED luminaire.
- Small-scale rounded profile acrylic diffuser evenly surrounds the LED light source enabling a very wide and near-perfect light distribution.
- Compact design complies with all ADA requirements for public areas.
- Custom formulated high diffusion acrylic material allows for maximum light transmission while eliminating pixilation and hot spots.
- Optional integral side reflectors add both function and architectural contour.
- Nominal 2Ft., 4Ft. or 8Ft. long modules.
- Digital LED technology provides high efficacy and energy efficiency.
- Multiple power and light levels are offered as standard to allow meeting design and energy needs per application. Custom factory set levels available on request.
- Lumen maintenance; Reported L70 (hours) & L80 (hours) > 60,000.
- CRI greater than 80.
- Fixture lumens per watt ratios up to 151.
- American Made.
- Tunable white feature optional.



CROSS SECTION:



LW4 SERIES

Ex: LW4-4-3800-35K-HTA-1%-UNI-EM10

LW4				HTA		UNI		OPTIONS				
SERIES	NOMINAL LENGTH (FT)	NOMINAL LUMENS	COLOR TEMP	DIFFUSER	DRIVER	VOLTAGE	SIDE REFLECTORS	STANDBY MODULES	INTEGRAL LIGHTING CONTROLS			
LW4 Architectural Linear Ambient LED Luminaire	2 24" Length	2100 2300 2500 3400	30K 35K 40K	HTA High Transmission Acrylic	1% 0-10V 1% Dimming	UNI	SR Symmetric Function Set of 2 Side Reflectors	EM10	O4 Wattstopper FS-155-1 mounts internally with only the PIF dome visible.			
	4 45" Length	2100 3800 4500 5000 6700	50K Upon Request							As Specified	EM12 Available 4ft. and 8ft. Modules Only	O17 Leviton ZLS05-ILW mounts internally with only the PIF dome visible.
	8 96" Length	7600 13000	TW 27K-65K									
	XXXX Custom Lumen Package. Contact Factory.											

LED MODULES:

- High performance linear configured LED module boards.
- Each board consists of multiple mid-power, high efficacy LEDs in a precise layout eliminating the need for supplemental heat sinking.
- The boards produce an even and diffuse light which maximizes optical efficiency.
- Compatible with the dimming performance of the LED driver.
- Color temperatures available: 3000K, 3500K and 4000K.
- Upon request: 5000K.

LED DRIVERS:

- Factory programmable constant current LED power supply.
- Multiple standard drive current outputs (factory set by Mercury) are cataloged with their corresponding lumen package offerings. Upon request, custom drive current outputs and lumen packages are available.
- Note: Certain cataloged lumen packages may be provided with a non-programmable constant current LED power supply at Mercury's discretion. Contact factory if critical.
- Universal voltage input, 120V-277V, 50HZ-60HZ.
- Specification grade continuous dimming capability down to 1% on 0-10V dimming controls.

TUNABLE WHITE OPTION:

- Field tunable range 2700K through 6500K.
- 80CRI.

LED LUMEN PACKAGES:

- Cataloged standard lumen packages. See attached chart for full details.
- Custom lumen packages pre-set are optional with programmable drivers only. Contact factory for details.

HOUSING:

- Fabricated from heavy gauge code grade cold rolled steel with a white polyester powder coating finish for long lasting durability.
- Housing ends are welded into place.
- Sufficient electrical knockouts are provided on the housing back and ends.

REFLECTOR OPTIONS:

- Side reflectors are factory installed or can be field installed to the housing.
- May be used individually for one-side asymmetric function or in pairs for dual-side symmetric function.
- Aperture option; a series of architectural apertures allows a segment of up lighting.

DIFFUSER:

- Small-scale rounded profile design.
- Extruded from custom formulated high transmission acrylic material.
- Linear ribbing for high LED performance.

STANDBY LIGHTING OPTION:

- Self contained module, 10W or 12W as specified. Battery backup upon loss of power. Available 4Ft. and 8Ft. modules only.

OPTIONAL INTEGRAL LIGHTING CONTROLS:

- Self-contained motion sensors mount directly to luminaire.
- Passive infrared (PIF) technology for individual luminaire control.
- On/Off control with optional delay features.
- See ordering matrix for available sensors.
- System lighting controls available. Contact factory.

INSTALLATIONS:

- May be installed in any direction, individually or in continuous run applications.
- May be surface mounted or suspended.
- End knockouts for surface conduit entry.

CERTIFICATE OF SAFETY COMPLIANCE AND LISTINGS:

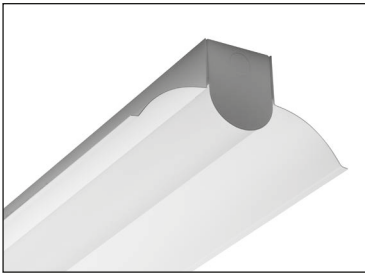
- Luminaire: UL and CUL listed 1598 and bears their label. Suitable for damp locations.

WARRANTY:

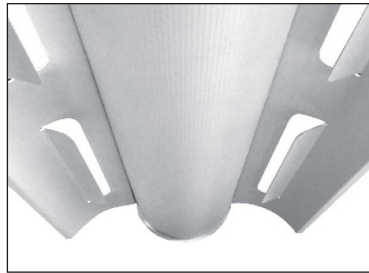
- 5-year limited warranty is standard. Special 10-year warranty available on a job-to-job basis. Complete LED warranty terms available at mercltg.com.
- Actual performance may differ as a result of end-user environment and application.
- Most LED luminaires are suitable to operate in ambient temperatures from -20C (-4F) to 25C (77F).
- The following exclusions apply: Luminaires with standby lighting option, integral lighting controls options, or wireless control options. Consult factory.
- LM-79 testing was measured under a controlled 25C (77F) ambient operating temperature.



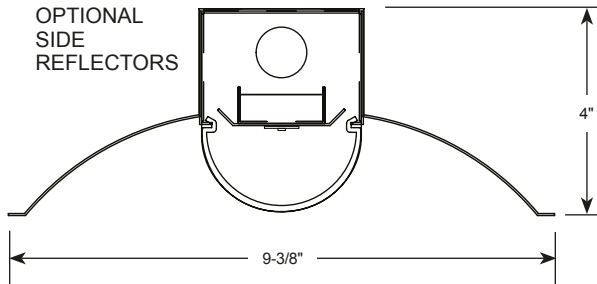
LW4 SERIES



Optional Side Reflectors



Optional Aperture Reflectors



HANGING ACCESSORIES

PART #	DESCRIPTION	PART #	DESCRIPTION
R5PF-100	Round 5" power feed canopy, Hanging hardware, 100" long 1/16" cable.	VH-XX	"V" Hanger w/XX= 48"L or 72"L Chain & "S" Hook
R5-100	Round 5" canopy, Hanging hardware, 100" long 1/16" cable.	CPYS-1	S-1 Single Stem 5" Dia. Canopy
R2-100	Round 2" canopy, Hanging hardware, 100" long 1/16" cable.	STMXX	XX= 12"L, 24"L, 48"L Stem/ 3/8" IPS-5/8" OD
S5PF-100	Square 5" power feed canopy, Hanging hardware, 100" long 1/16" cable.	Other cable lengths available.	
S5-100	Square 5" canopy, Hanging hardware, 100" long 1/16" cable.		
S2-100	Square 2" power feed canopy, Hanging hardware, 100" long 1/16" cable.		

PHOTOMETRICS

All photometric reports are available at mercltg.com.

LUMEN PACKAGE

Series	Nominal Length (FT)	Nominal Lumen Package	Color	Fixture Power (W)	Delivered Lumens	Fixture LPW
LW4	2					
		2100	3000K	15	1991	133
		2100	3500K	15	2048	137
		2100	4000K	15	2113	141
		2100	5000K	15	2114	141
		2300	3000K	16	2215	138
		2300	3500K	16	2279	142
		2300	4000K	16	2353	147
		2300	5000K	16	2355	147
		2500	3000K	18	2382	132
		2500	3500K	18	2452	136
		2500	4000K	18	2531	141
		2500	5000K	18	2534	141
		3400	3000K	25	3247	130
		3400	3500K	25	3348	134
		3400	4000K	25	3455	138
		3400	5000K	25	3466	139

Series	Nominal Length (FT)	Nominal Lumen Package	Color	Fixture Power (W)	Delivered Lumens	Fixture LPW
LW4	4					
		2100	3000K	14	1997	143
		2100	3500K	14	2050	146
		2100	4000K	14	2110	151
		2100	5000K	14	2110	151
		3800	3000K	26	3640	140
		3800	3500K	26	3743	144
		3800	4000K	26	3862	149
		3800	5000K	26	3862	149
		4500	3000K	31	4263	138
		4500	3500K	31	4386	141
		4500	4000K	31	4527	146
		4500	5000K	31	4529	146
		5000	3000K	35	4764	136
		5000	3500K	35	4903	140
		5000	4000K	35	5061	145
		5000	5000K	35	5068	145
		6700	3000K	50	6389	128
		6700	3500K	50	6585	132
		6700	4000K	50	6796	116
		6700	5000K	50	6818	136

Series	Nominal Length (FT)	Nominal Lumen Package	Color	Fixture Power (W)	Delivered Lumens	Fixture LPW
LW4	8					
		7600	3000K	52	7166	138
		7600	3500K	52	7367	142
		7600	4000K	52	7602	146
		7600	5000K	52	7602	146
		13,000	3000K	100	12,778	128
		13,000	3500K	100	13,170	132
		13,000	4000K	100	13,592	136
		13,000	5000K	100	13,636	136

Actual wattage may differ by +/- 5% when operating between 120V-277V +/- 10%.

