

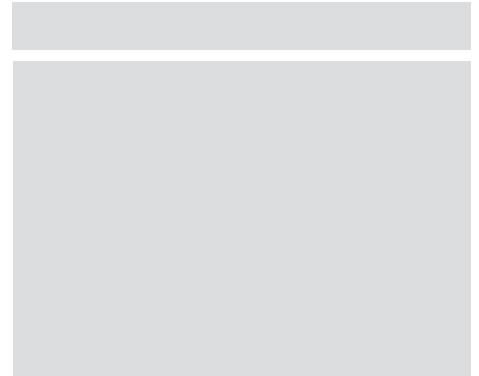


LW3 SERIES

Architectural Linear Ambient LED Luminaire

Fixture Type:

Job Information:

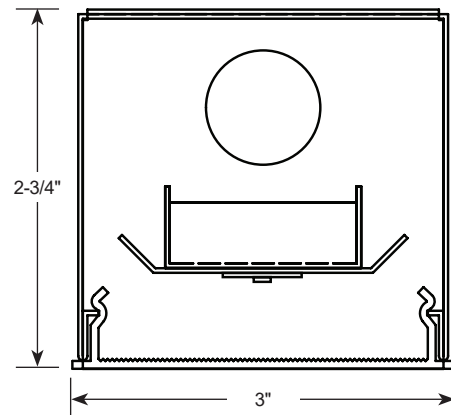


FEATURES:

- Shallow square profile linear ambient LED luminaire.
- Flat snap-in style acrylic diffuser closes off the bottom of the housing and the LED light source.
- Compact design complies with all ADA requirements for public areas.
- Custom formulated high diffusion acrylic material allows for maximum light transmission while eliminating pixilation and hot spots.
- Optional integral side reflectors add both function and architectural contour.
- Nominal 2Ft., 4Ft. or 8Ft. long modules.
- Digital LED technology provides high efficacy and energy efficiency.
- Multiple power and light levels are offered as standard to allow meeting design and energy needs per application. Custom factory set levels available on request.
- Lumen maintenance; Reported L70 (hours) & L80 (hours) > 60,000.
- CRI greater than 80.
- Tunable white feature optional.
- Fixture lumens per watt ratios up to 125.
- American Made.



CROSS SECTION:



LW3 SERIES

Ex: LW3-4-3800-35K-HTA-1%-UNI-EM7

LW3				UNI				OPTIONS		
SERIES	NOMINAL LENGTH (FT)	NOMINAL LUMENS	COLOR TEMP	DIFFUSER	DRIVER	VOLTAGE	SIDE REFLECTORS	STANDBY MODULES	INTEGRAL LIGHTING CONTROLS	
LW3 Architectural Linear Ambient LED Luminaire	2 24" Length	2100	30K	HTA High Transmission Acrylic	1% 0-10V 1% Dimming	UNI	SR Symmetric Function Set of 2 Side Reflectors	EM7 EM10	O1 Leviton OSFHU mounts externally, for higher ceilings. O4 Wattstopper FS-155-1 mounts internally with only the PIF dome visible. O5 Leviton OSF10 mounts internally with only the PIF dome visible.	
	4 45" Length	2300	35K							
		2500	40K							
	8 96" Length	2100	50K Upon Request	AW Acrylic White	As Specified					
		3800	TW 27K-65K							
		4500								
		5400								
		8000								
		96"L 10,000								
		XXXX Custom Lumen Package. Contact Factory.								

LED MODULES:

- High performance linear configured LED module boards.
- Each board consists of multiple mid-power, high efficacy LEDs in a precise layout eliminating the need for supplemental heat sinking.
- The boards produce an even and diffuse light which maximizes optical efficiency.
- Compatible with the dimming performance of the LED driver.
- Color temperatures available: 3000K, 3500K and 4000K.
- Upon request: 5000K.

LED DRIVERS:

- Factory programmable constant current LED power supply.
- Multiple standard drive current outputs (factory set by Mercury) are cataloged with their corresponding lumen package offerings. Upon request, custom drive current outputs and lumen packages are available.
- Note: Certain cataloged lumen packages may be provided with a non-programmable constant current LED power supply at Mercury's discretion. Contact factory if critical.
- Universal voltage input, 120V-277V, 50HZ-60HZ.
- Specification grade continuous dimming capability down to 1% on 0-10V dimming controls.

TUNABLE WHITE OPTION:

- Field tunable range 2700K through 6500K.
- 80CRI.

LED LUMEN PACKAGES:

- Cataloged standard lumen packages. See attached chart for full details.
- Custom lumen packages pre-set are optional with programmable drivers only. Contact factory for details.

HOUSING:

- Fabricated from heavy gauge code grade cold rolled steel with a white polyester powder coating finish for long lasting durability.
- Housing ends are welded into place.
- Sufficient electrical knockouts are provided on the housing back and ends.

REFLECTOR OPTIONS:

- Side reflectors are factory installed or can be field installed to the housing.
- May be used individually for one-side asymmetric function or in pairs for dual-side symmetric function.
- Aperture option; a series of architectural apertures allows a segment of up lighting.

DIFFUSER:

- Flat profile snap-in style design.
- Extruded from custom formulated high transmission acrylic material.
- Linear ribbing for high LED performance.
- Optional white acrylic diffuser. Contact factory for full details.

STANDBY LIGHTING OPTION:

- Self contained module 7W, 10W or 12W as specified. Battery backup upon loss of power. Available 4Ft. and 8Ft. modules only.

OPTIONAL INTEGRAL LIGHTING CONTROLS:

- Self-contained motion sensors mount directly to luminaire.
- Passive infrared (PIF) technology for individual luminaire control.
- On/Off control with optional delay features.
- See ordering matrix for available sensors.
- System lighting controls available. Contact factory.

INSTALLATIONS:

- May be installed in any direction, individually or in continuous run applications.
- May be surface mounted or suspended.
- End knockouts for surface conduit entry.

CERTIFICATE OF SAFETY COMPLIANCE AND LISTINGS:

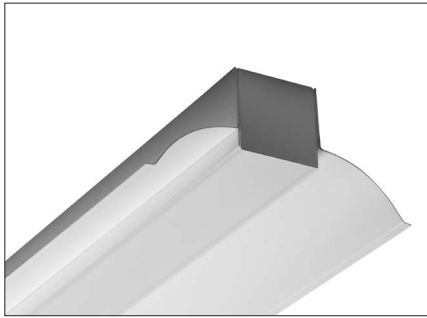
- Luminaire: UL and CUL listed 1598 and bears their label. Suitable for damp locations.

WARRANTY:

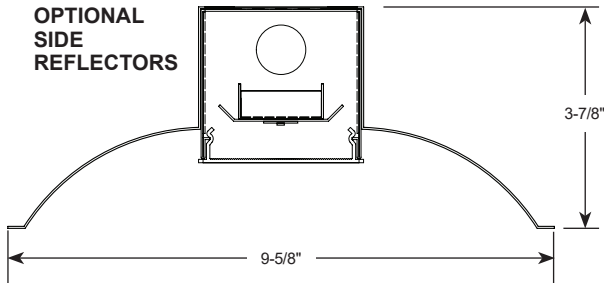
- 5-year limited warranty is standard. Special 10-year warranty available on a job-to-job basis. Complete LED warranty terms available at mercltg.com.
- Actual performance may differ as a result of end-user environment and application.
- Most LED luminaires are suitable to operate in ambient temperatures from -20C (-4F) to 25C (77F).
- The following exclusions apply: Luminaires with standby lighting option, integral lighting controls options, or wireless control options. Consult factory.
- LM-79 testing was measured under a controlled 25C (77F) ambient operating temperature.



LW3 SERIES



Optional Side Reflectors



HANGING ACCESSORIES

PART #	DESCRIPTION	PART #	DESCRIPTION
R5PF-100	Round 5" power feed canopy, Hanging hardware, 100" long 1/16" cable.	VH-XX	"V" Hanger w/XX= 48"L or 72"L Chain & "S" Hook
R5-100	Round 5" canopy, Hanging hardware, 100" long 1/16" cable.	CPYS-1	S-1 Single Stem 5" Dia. Canopy
R2-100	Round 2" canopy, Hanging hardware, 100" long 1/16" cable.	STMXX	XX= 12"L, 24"L, 48"L Stem/ 3/8" IPS-5/8" OD
S5PF-100	Square 5" power feed canopy, Hanging hardware, 100" long 1/16" cable.	Other cable lengths available.	
S5-100	Square 5" canopy, Hanging hardware, 100" long 1/16" cable.		
S2-100	Square 2" power feed canopy, Hanging hardware, 100" long 1/16" cable.		

PHOTOMETRICS

All photometric reports are available at mercltg.com.

LUMEN PACKAGE

Series	Nominal Length (FT)	Nominal Lumen Package	Color	Fixture Power (W)	Delivered Lumens	Fixture LPW
LW3	2					
		2100	3000K	18	2029	113
		2100	3500K	18	2098	117
		2100	4000K	18	2116	118
		2100	5000K	18	2116	118
		2300	3000K	20	2212	111
		2300	3500K	20	2285	114
		2300	4000K	20	2306	115
		2300	5000K	20	2306	115
		2500	3000K	22	2390	109
		2500	3500K	22	2470	112
		2500	4000K	22	2503	114
		2500	5000K	22	2503	114

Series	Nominal Length (FT)	Nominal Lumen Package	Color	Fixture Power (W)	Delivered Lumens	Fixture LPW
LW3	4					
		2100	3000K	17	2041	120
		2100	3500K	17	2108	124
		2100	4000K	17	2128	125
		2100	5000K	17	2128	125
		3800	3000K	31	3640	117
		3800	3500K	31	3761	121
		3800	4000K	31	3806	123
		3800	5000K	31	3806	123
		4500	3000K	36	4319	120
		4500	3500K	36	4462	124
		4500	4000K	36	4503	125
		4500	5000K	36	4503	125
		5400	3000K	45	5187	115
		5400	3500K	45	5359	119
		5400	4000K	45	5408	120
		5400	5000K	45	5408	120

Series	Nominal Length (FT)	Nominal Lumen Package	Color	Fixture Power (W)	Delivered Lumens	Fixture LPW
LW3	8					
		8000	3000K	65	7675	118
		8000	3500K	65	7930	122
		8000	4000K	65	8008	123
		8000	5000K	65	8008	123
		10,000	3000K	83	9915	119
		10,000	3500K	83	10,090	122
		10,000	4000K	83	10,183	123
		10,000	5000K	83	10,183	123

Actual wattage may differ by +/- 5% when operating between 120V-277V +/- 10%.

