



LS2 SERIES

Miniature Profile Linear LED Strip Luminaire

Fixture Type:

Job Information:

SPECIFICATIONS:

LED MODULES:

- High performance linear configured LED module boards.
- Each board consists of multiple mid-power, high efficacy LEDs in a precise layout eliminating the need for supplemental heat sinking.
- The boards produce an even and diffuse light which maximizes optical efficiency.
- Compatible with the dimming performance of the LED driver.
- Color temperatures available: 3000K, 3500K and 4000K.
- Upon request: 5000K.

LED DRIVERS:

- Factory programmable constant current LED power supply.
- Multiple standard drive current outputs (factory set by Mercury) are cataloged with their corresponding lumen package offerings. Upon request, custom drive current outputs and lumen packages are available.
- Note: Certain cataloged lumen packages may be provided with a non-programmable constant current LED power supply at Mercury's discretion. Contact factory if critical.
- Universal voltage input, 120V-277V, 50HZ-60HZ.
- Specification grade dimming down to 1% on 0-10V dimming controls.

LED LUMEN PACKAGES:

- Cataloged standard lumen packages. See attached chart for full details.
- Custom lumen packages pre-set are optional with programmable drivers only. Contact factory for details.
- **For cove and other confined space installations lower lumen packages are recommended. Maximum lumen packages; 2400/2Ft., 4800/4Ft., 9600/8Ft.**

HOUSINGS:

- Fabricated from heavy gauge code grade cold rolled steel with housing ends welded into place. White powder coating finish for long lasting durability.
- Vented housing for additional heat management.
- Housing cover is formed with a recessed to protect the LED module boards which are securely fastened down to the cover. Hinges down for easy installation or maintenance or may be easily removed. Cover securely screws to the housing in its closed position.
- Sufficient electrical knockouts are provided on the housing back and ends.

STANDBY LIGHTING OPTION:

- Self contained module 7W, 10W or 12W as specified. Battery backup upon loss of power. Available for 4Ft and 8Ft. modules only.

OPTIONAL INTEGRAL OCCUPANCY SENSOR:

- Self-contained sensor mounts directly to luminaire.
- Passive infrared (PIF) technology for individual luminaire control.
- On/Off control with optional delay features.
- See ordering matrix for available sensors.

INSTALLATIONS:

- May be installed in any direction, individually or in continuous run applications.
- May be surface mounted or suspended.
- Do not exceed maximum lumen packages where installations are in enclosed areas. Excessive heat can damage components and void warranty.

CERTIFICATE OF SAFETY COMPLIANCE AND LISTINGS:

- Luminaire: UL and CUL listed 1598 and bears their label. Suitable for damp locations.

WARRANTY:

- 5-year limited warranty is standard. Special 10-year warranty available on a job-to-job basis. Complete LED warranty terms available at www.mercltg.com.
- Actual performance may differ as a result of end-user environment and application.
- Most LED luminaires are suitable to operate in ambient temperatures from -20C (-4F) to 25C (77F).
- The following exclusions apply: Luminaires with optional standby lighting option, integral lighting controls options, or wireless control options. Consult factory.
- LM-79 testing was measured under a controlled 25C (77F) ambient operating temperature.

FEATURES:

- Miniature profile linear LED light source in an open strip.
- Fits easily into small confined spaces for direct or indirect cove and valence lighting. Displays and cabinets are evenly illuminated with linear design.
- Nominal 2Ft., 4Ft., and 8Ft. modules are perfect for row applications producing uninterrupted continuous light.
- Digital LED technology provides high efficacy and energy efficiency.
- Multiple power and light levels are offered as standard to allow meeting design and energy needs per application. Custom factory set levels available on request.
- Lumen maintenance; Reported L70 (hours) & L80 (hours) > 60,000.
- CRI greater than 80.
- Fixture lumens per watt ratios up to 144.
- American Made.



LS2 SERIES

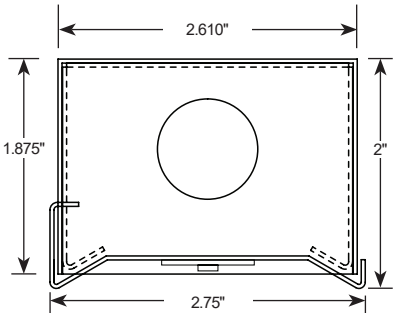
Example: **LS2-4-4200-35K-1%-UNI-EM7**

LS2		UNI				
SERIES	NOMINAL LENGTH (FT)	NOMINAL LUMENS	COLOR TEMP	DRIVER	VOLTAGE	OPTIONS
LS2	2 24-1/4" Length	22-1/4" 2100	30K 35K 40K 50K Upon Request	1% 0-10V 1% Dimming As Specified	UNI	Standby Modules EM7 EM10 EM12 Not available for 2Ft. Modules. Optional Integral Occupancy Sensor O1 Leviton OSFHU mounts externally, for higher ceilings. O4 Wattstopper FS-155-1 mounts internally with only the PIF dome visible. O5 Leviton OSF10 mounts internally with only the PIF dome visible.
	4 46-3/8" Length	2700 3100				
	8 88-3/4" Length	44-3/8" 2100 4200 5400 6200				
		88-3/4" 5600 9600 11000				
		XXXXX Custom Lumen Package. Contact Factory.				
		MAXIMUM LUMEN PACKAGES FOR COVE AND TIGHT INSTALLATIONS: 2400/2Ft., 4800/4Ft., 9600/8Ft.				

PHOTOMETRICS:

All photometric reports are available at www.mercltq.com.

CROSS SECTIONS:



LED Detail

HANGING ACCESSORIES

PART #	DESCRIPTION
R5PF-100	Round 5" power feed canopy, Hanging hardware, 100" long 1/16" cable.
R5-100	Round 5" canopy, Hanging hardware, 100" long 1/16" cable.
R2-100	Round 2" canopy, Hanging hardware, 100" long 1/16" cable.
S5PF-100	Square 5" power feed canopy, Hanging hardware, 100" long 1/16" cable.
S5-100	Square 5" canopy, Hanging hardware, 100" long 1/16" cable.
S2-100	Square 2" power feed canopy, Hanging hardware, 100" long 1/16" cable.

PART #	DESCRIPTION
VH-XX	"V" Hanger w/XX= 48"L or 72"L Chain & "S" Hook
CPYS-1	S-1 Single Stem 5" Dia. Canopy
STMXX	XX= 12"L, 24"L, 48"L Stem/ 3/8" IPS-5/8" OD

Other cable lengths available.

LUMEN PACKAGE

Series	Nominal Length (FT)	Nominal Lumen Package	Color	Fixture Power (W)	Delivered Lumens	Fixture LPW
LS2	2	2100	3000K	22	2039	123
		2100	3500K	22	2071	125
		2100	4000K	22	2135	129
		2100	5000K	22	2199	133
	4	2700	3000K	22	2576	117
		2700	3500K	22	2616	119
		2700	4000K	22	2697	122
		2700	5000K	22	2778	126
	8	3100	3000K	26	2976	112
		3100	3500K	26	3023	114
		3100	4000K	26	3117	118
		3100	5000K	26	3210	121

Series	Nominal Length (FT)	Nominal Lumen Package	Color	Fixture Power (W)	Delivered Lumens	Fixture LPW
LS2	4	2100	3000K	16	2032	126
		2100	3500K	16	2064	128
		2100	4000K	16	2127	132
		2100	5000K	16	2191	136
	6	4200	3000K	33	4019	123
		4200	3500K	33	4082	125
		4200	4000K	33	4208	129
		4200	5000K	33	4334	133
	8	5400	3000K	44	5151	117
		5400	3500K	44	5232	119
		5400	4000K	44	5394	122
		5400	5000K	44	5556	126
	10	6200	3000K	53	5953	112
		6200	3500K	53	6046	114
		6200	4000K	53	6233	118
		6200	5000K	53	6420	121

Series	Nominal Length (FT)	Nominal Lumen Package	Color	Fixture Power (W)	Delivered Lumens	Fixture LPW
LS2	8	5600	3000K	41	5422	134
		5600	3500K	41	5507	136
		5600	4000K	41	5677	140
		5600	5000K	41	5848	144
	10	9600	3000K	77	9200	120
		9600	3500K	77	9345	122
		9600	4000K	77	9634	126
		9600	5000K	77	9923	129
	12	11,000	3000K	89	10,426	116
		11,000	3500K	89	10,590	118
		11,000	4000K	89	10,917	122
		11,000	5000K	89	11,245	126

Actual wattage may differ by +/- 5% when operating between 120V-277V +/- 10%.

