



# L455 SERIES

## Lumasence Bi-Level LED Lighting System

**Fixture Type:**

**Job Information:**

### SPECIFICATIONS:

#### LED MODULES:

- High performance linear configured LED module boards.
- Each board consists of multiple mid-power, high efficacy LEDs in a precise layout eliminating the need for supplemental heat sinking.
- The boards produce an even and diffuse light which maximizes optical efficiency.
- Color temperatures available: 3000K, 3500K and 4000K.
- Upon request: 5000K.

#### LED DRIVERS:

- Factory programmable constant current LED power supply.
- Multiple standard drive current outputs (factory set by Mercury) are cataloged with their corresponding lumen package offerings. Upon request, custom drive current outputs and lumen packages are available.
- Universal voltage input, 120V-277V, 50HZ-60HZ.

#### LED LUMEN PACKAGES:

- Cataloged standard lumen packages. See attached chart for full details.
- Custom lumen packages pre-set are optional with programmable drivers only. Contact factory for details.

#### HOUSING:

- Fabricated from 20GA. cold rolled steel with 18GA. housing ends welded into place.
- White polyester powder coating finish for long lasting durability.
- Sufficient electrical knockouts are provided on the housing back and ends.

#### DIFFUSER:

- Larger-scale rounded profile design.
- Extruded from custom formulated high transmission impact-resistant acrylic material.
- Linear ribbing for high LED performance.

#### STANDBY LIGHTING OPTION:

- Self contained module, 7W, 10W or 12W as specified. Battery backup upon loss of power. Available 4Ft. modules only.

#### OCCUPANCY SENSOR (DEFAULT):

- 40kHz ultrasonic sensor.
- Field adjustable time delay; 1, 5 or 20 minutes. (Default is 20 minutes).
- Field adjustable sensitivity.
- Factory set standby mode power level settings; 10, 20 or 50%. (Default is 20%).
- Other settings available. Consult factory.
- Leviton ZLS05-ILW PIR Sensor.
- Infrared bi-level sensor.
- Daylight harvesting capability.
- Maximum mounting height 10ft.
- Detection angle 120 degrees.
- Eight dip switches allow for field control.
- Task level: 100% default. Optional; 70%, 80%, 90%.
- Occupied Time Out Level: Default 10S. Optional 30S, 5MIN, 10MIN, or 15MIN.
- Standby Light Level (DIM Mode): 20% Default. Optional: 50%
- Other settings available. Consult factory.

#### INSTALLATIONS:

- Surface mounts individually, ceiling or wall orientation.
- Maximum mounting height off floor is 8ft for proper sensor operation. Obstructions such as exit signs can possibly impede proper sensor operation.
- End knockouts for surface conduit entry.

#### CERTIFICATE OF SAFETY COMPLIANCE AND LISTINGS:

- Luminaire: UL and CUL listed 1598 and bears their label. Suitable for damp locations.

#### WARRANTY:

- 5-year limited warranty is standard. Special 10-year warranty available on a job-to-job basis. Complete LED warranty terms available at [www.mercltg.com](http://www.mercltg.com).
- Actual performance may differ as a result of end-user environment and application.
- Most LED luminaires are suitable to operate in ambient temperatures from -20C (-4F) to 25C (77F).
- The following exclusions apply: Luminaires with optional standby lighting option. Consult factory.
- LM-79 testing was measured under a controlled 25C (77F) ambient operating temperature.

### FEATURES:

- Motion sensing bi-level stairwell and passage-way LED lighting system.
- OSS/Advanced Occupancy Sensing System.
- Larger-scale rounded profile impact-resistant acrylic diffuser suitable for public spaces.
- Design complies with all ADA requirements.
- Two sizes are available each offering their own combinations of occupancy lumen packages as well as stand-by lumen packages.
- Custom factory set levels available on request.
- Lumen maintenance; Reported L70 (hours) & L80 (hours) > 60,000.
- CRI greater than 80.
- Fixture lumens per watt ratios up to 142.
- American Made.

### APPLICATIONS:

- Stairwells and similar low traffic public areas require lighting at all times for safety and security. In reality, occupancy in these areas can be near zero.
- OSS technology provides a very low stand-by level of illumination. Extremely sensitive ultrasonic motion sensor detects even the slightest movement and turns luminaire to full brightness. After occupancy is no longer detected luminaire will return to stand-by level.
- Optional standby lighting battery backup modules further fills the requirements for emergency egress from buildings.



# L455 SERIES

Example: L455-4-3800-35K-HTA20-1%-20-UNI-EM7

Series	Nominal Length (FT)	Nominal Lumens	Color Temp	Diffuser	Driver	Standby Power %	Voltage	Options
<b>L455</b>	<b>2</b> 24" Length	<b>24"L</b> 2100 2300 2500 2700	<b>30K</b> <b>35K</b> <b>40K</b>	<b>HTA20</b> High Transmission Impact-Resistant Acrylic	<b>1%</b> 0-10V 1% Dimming As Specified	<b>L455</b> <b>10</b> <b>20</b> <b>50</b>	<b>UNI</b>	<b>Standby Modules</b> <b>EM7</b> <b>EM10</b> <b>EM12</b> Available 4ft. Modules Only
<b>LW45</b>	<b>4</b> 45" Length	<b>45"L</b> 2100 3800 4500 5000 5700 8400 10,900	<b>50K</b> Upon Request			<b>LW45</b> <b>20</b> <b>50</b>		<b>Optional Integral Occupancy Sensor</b> <b>O17</b> Leviton ZLS05 ILW (AUX Driver Required)
		<b>XXXX</b> Custom Lumen Package. Contact Factory.				* Other settings available. Consult factory.		

## LUMEN PACKAGE

Series	Nominal Length (FT)	Nominal Lumen Package	Color	Fixture Power (W)	Delivered Lumens	Fixture LPW
L455	2	2100	3000K	17	2038	120
		2100	3500K	17	2106	124
		2100	4000K	17	2125	125
		2100	5000K	17	2125	125
	4	2300	3000K	18	2151	120
		2300	3500K	18	2222	123
		2300	4000K	18	2302	128
		2300	5000K	18	2302	128
		2500	3000K	19	2318	122
		2500	3500K	19	2394	126
	4	2500	4000K	19	2502	132
		2500	5000K	19	2502	132
		2700	3000K	22	2592	118
		2700	3500K	22	2679	122
		2700	4000K	22	2703	123
		2700	5000K	22	2703	123

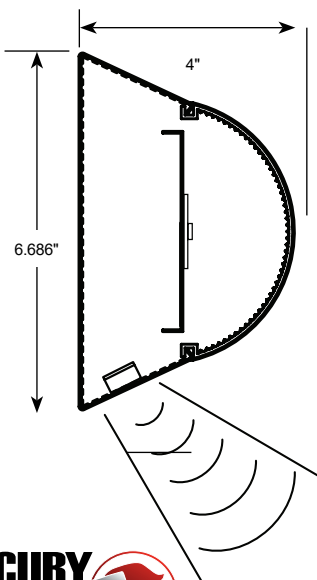
Series	Nominal Length (FT)	Nominal Lumen Package	Color	Fixture Power (W)	Delivered Lumens	Fixture LPW
L455	4	2100	3000K	15	2040	136
		2100	3500K	15	2108	141
		2100	4000K	15	2127	142
		2100	5000K	15	2127	142
	4	3800	3000K	29	3679	127
		3800	3500K	29	3802	131
		3800	4000K	29	3836	132
		3800	5000K	29	3836	132
		4500	3000K	34	4329	127
		4500	3500K	34	4472	132
	4	4500	4000K	34	4514	133
		4500	5000K	34	4514	133
		5000	3000K	39	4801	123
		5000	3500K	39	4961	127
		5000	4000K	39	5006	128
		5000	5000K	39	5006	128
	4	5700	3000K	45	5485	122
		5700	3500K	45	5667	126
		5700	4000K	45	5719	127
		5700	5000K	45	5719	127
		8400	3000K	64	8220	128
		8400	3500K	64	8431	132
	4	8400	4000K	64	8431	132
		8400	5000K	64	8756	137
10,900		3000K	84	10,481	125	
10,900		3500K	84	10,828	129	
10,900		4000K	84	10,928	130	
10,900		5000K	84	10,928	130	

Actual wattage may differ by +/- 5% when operating between 120V-277V +/- 10%.

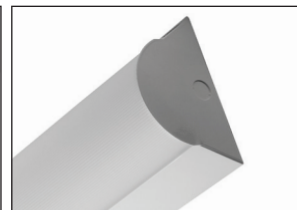
## PHOTOMETRICS:

All photometric reports are available at [www.mercltg.com](http://www.mercltg.com).

## CROSS SECTIONS:



Sensor



Detail



ZLS05-ILW PIR Sensor.

