

LIGHTSTREAMS FLEX

MODULAR ARCHITECTURAL LED LIGHTING SYSTEM

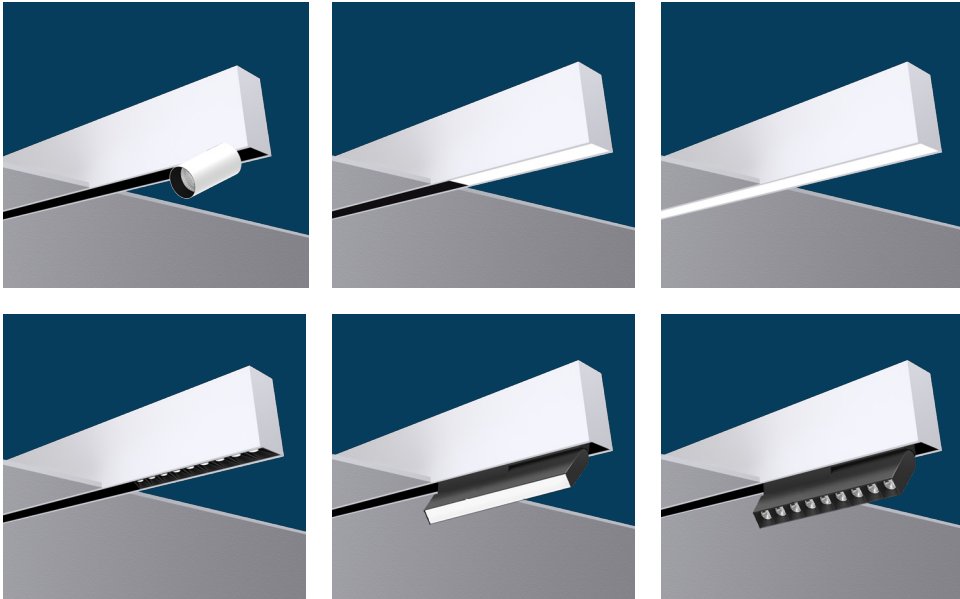


MLS2-N5/F-TRK SERIES Recessed Mount For Drywall Ceilings

Flexible System Combines Accent
LED Modules with Linear LED Lighting

Features:

- Modular LED components/track heads offer unlimited flexibility for accent and general illumination.
- Unique built-in track system allows components to be positioned as needed for specific lighting effects.
- Slide, rotate and adjust as desired or as room requirements change.
- Color temperatures available 2700K, 3000K, 3500K or 4000K. CRI 90. (See track head matrix for all options).
- LightStreams Flex uses the same extrusion as the original LightStreams architectural linear system.
- When specified for the same project both systems have an identical appearance.
- LightStreams Flex and LightStreams will transition seamlessly for end-to-end type installations.
- These narrow profiles form perfectly straight lines of light.
- Extrusions are finished with a non-glare matte-white polyester powder coating.
- Linear lengths; 4-ft. and above in increments of one-inch.
- Recesses into drywall ceiling types; trimless or overlapping trim.



fixture type:

job information:

MLS2-N5/F-TRK Series | LIGHTSTREAMS 2

Modular Architectural LED Lighting System | Recessed Mount For Drywall Ceilings

Specifications

Housings

Extruded aluminum profile in a 0.080-inch wall thickness.

Maximum length of each linear component is 12-ft.

.060 aluminum ends are provided where needed at row termini.

A one-piece 14GA galvanized steel joiner/aligner bracket is provided for each joint between housings.

Internal cold-rolled steel components.

A custom formulated non-glare matte-white polyester powder coating provides an extremely durable and long-lasting finish.

Track

Heavy gauge extruded aluminum single circuit track.

Secured internally to ensure track is flush to bottom of linear housing.

Black finish standard. White optional.

Driver

Meanwell brand 42-volt power supply.

Class 2, 96-watts maximum.

0-10-volt dimming.

Provided in a remote steel enclosure suitable for connection to building power supply.

120V/277V input.

Plenum rated wires supplied for suitable connection to extruded housing.

Capacity and quantity of drivers to be determined by job requirements and the quantity and types of track heads to be used.

Track Heads

Various styles available with different performance criteria.

See page 3 for detailed specifications.

Installations

Designed for recessed installation into drywall type ceiling systems.

See ceiling types section for typical installations.

Trimless housing requires plastering-in after installation.

Overlapping flange trim neatly closes off drywall opening.

For all recessed grid applications see appropriate specification sheets for those ceiling types.

Auxiliary suspension required to building structure.

Lengths of 12-ft. and less to use one housing with two ends pre-installed.

Lengths over 12-ft. will be engineered to job requirements using multiple housings with one end pre-installed at each row end.

Track heads to be installed on job site. Not to exceed maximum wattage load per track section as indicated on live end.

Wiring access plate provided on top. End plates have 7/8" KO.

Certificate of Safety Compliance and Listings

Luminaire: UL and CUL listed 1598 and bears their label. Suitable for dry locations.

Warranty

5-year limited warranty is standard. Special 10-year warranty available on a job-to-job basis. Complete LED warranty terms available at www.mercltg.com.

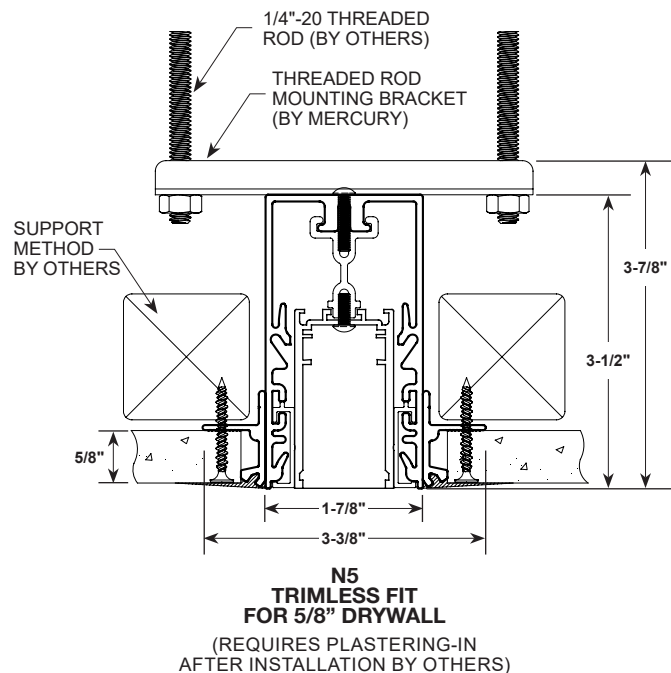
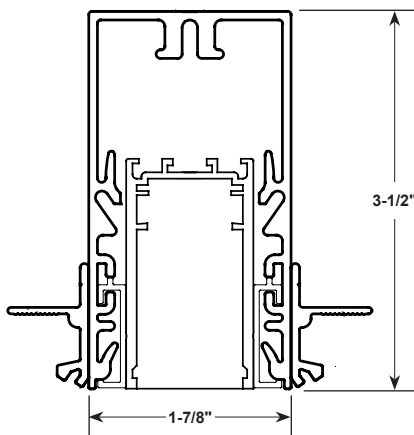
Actual performance may differ as a result of end-user environment and application.

Most LED luminaires are suitable to operate in ambient temperatures from -20C (-4F) to 25C (77F).

The following exclusions apply: Luminaires with standby lighting option, integral lighting controls options, or wireless control options. Consult factory.

LM-79 testing was measured under a controlled 25C (77F) ambient operating temperature.

Extrusion/Track Cross Section



MLS2-N5/F-TRK Series | LIGHTSTREAMS 2

Modular Architectural LED Lighting System | Recessed Mount For Drywall Ceilings

SYSTEM ORDERING DATA

Track Ordering Data

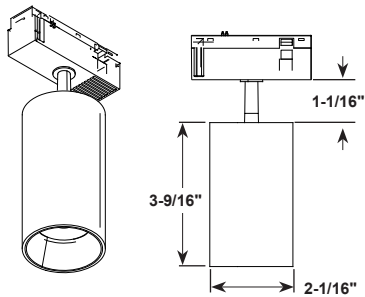
Ex: MLS2-N5-TRK-96

MLS2

Series	Mounting	Track	Module or Row Length
MLS2 LightStreamsFlex	N5 Trimless Plaster-In for 5/8" Drywall N1 Trimless Plaster-In for 1/2" Drywall F Overlapping Flange Trim	TRK Standard Black Finish TRKW Optional White Finish	48 48" Length 96 96" Length 144 144" Length L Custom or Row Length. 24" and above in 1" increments. Ex. in Inches: 82, 384, Etc.

Track Head Ordering Data

MEDIUM CYLINDER

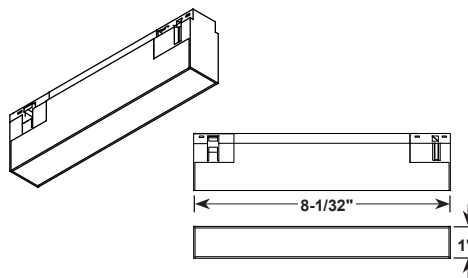


Ex: 9311A-35K-32.5-BK

9311A

Series	Color Temp	Beam Spread	Finish
9311A Medium Cylinder	27K	21.2	BK Black WH White
	30K	21.2° Spread	
	35K	32.5	
	40K	32.5° Spread	
	90CRI	34.7	34.7° Spread

FIXED LENSED LINEAR

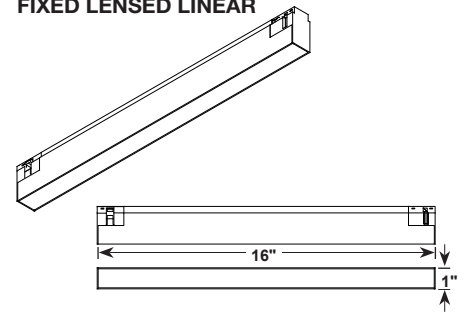


Ex: 9473A-35K-BK

9473A

Series	Color Temp	Finish
9473A Fixed Lensed Linear	30K	BK Black WH White
	35K	
	40K	
	90CRI	

FIXED LENSED LINEAR

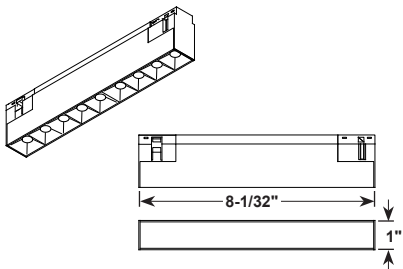


Ex: 9474A-35K-BK

9474A

Series	Color Temp	Finish
9474A Fixed Lensed Linear	30K	BK Black WH White
	35K	
	40K	
	90CRI	

FIXED LOUVERED LINEAR

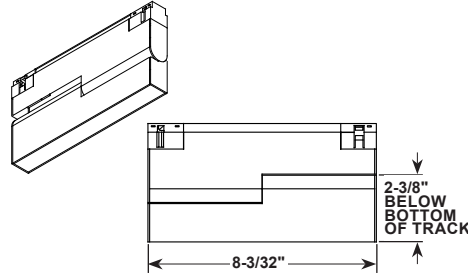


Ex: 9483A-35K-26-BK

9483A

Series	Color Temp	Beam Spread	Finish
9483A Fixed Louvered Linear	30K	9	BK Black WH White
	35K	9° Spread	
	40K	12.6	
	90CRI	12.6° Spread	
		24.5	
		24.5° Spread	

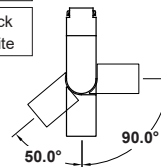
ADJUSTABLE LENSED LINEAR



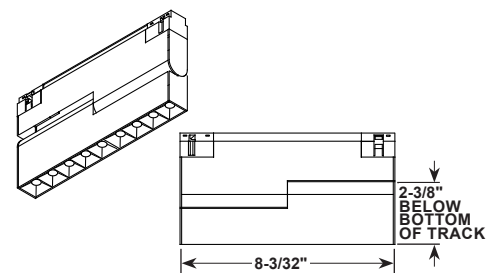
Ex: 9620A-35K-BK

9620A

Series	Color Temp	Finish
9620A Adjustable Lensed Linear	30K	BK Black WH White
	35K	
	40K	
	90CRI	



ADJUSTABLE LOUVERED LINEAR



Ex: 9630A-35K-24.5-BK

9630A

Series	Color Temp	Beam Spread	Finish
9630A Adjustable Louvered Linear	30K	9	BK Black WH White
	35K	9° Spread	
	40K	12.6	
	90CRI	12.6° Spread	
		24.5	
		24.5° Spread	

