

IMPORTANT INSTALLATION NOTES:

- FIXTURE TO BE INSTALLED IN ACCORDANCE WITH ALL APPLICABLE CODES BY A QUALIFIED ELECTRICIAN OR OTHER PERSON FAMILIAR WITH THE CONSTRUCTION AND OPERATION OF THIS PRODUCT AND THE HAZARDS INVOLVED.
- INSURE ALL HANGING POINTS ARE IN LINE WITH THE CENTERLINE OF THE FIXTURE RUN. IF THEY ARE NOT PROPERLY ALIGNED, THE RUN WILL NOT HANG STRIAIGHT.
- HANG INDIVIDUAL OR START FIXTURE SECTIONS FIRST. THESE WILL USE (2) THREADED RODS AND BE SELF SUPPORTING. TAKE CARE TO LEVEL THE FIXTURE AT THIS POINT, ESPECIALLY FOR CONTINUOUS RUNS.
- FOR CONTINUOUS RUNS, HANG EACH SUCCESSIVE SECTION USING (1) ADDITIONAL INSTALLED THREADED ROD AT PRE-DETERMINED LOCATION AND THE JOINING AND ALIGNING HARDWARE PROVIDED WITH THE FIXTURES, AND LEVEL EACH SECTION WITH THE PREVIOUS ONE.
- ***DO NOT ATTEMPT TO BOLT FIXTURES TOGETHER AND RAISE THE ASSEMBLED RUN AT ONE TIME. THIS WILL DAMAGE THE BRACKETRY AND PREVENT THE FIXTURES FROM JOINING TIGHTLY, AND WILL VOID THE FIXTURE WARRANTY!*****
- FOLLOW THE SAME PROCEDURE ABOVE TO INSTALL THE END UNIT.
- RECHECK ALL FIXTURES FOR LEVEL AND INSURE ALL JOINTS ARE TIGHT.
- IF SMALL GAPS OCCUR BETWEEN FIXTURE SECTIONS, APPLY A SMALL AMOUNT OF CAULK BETWEEN SECTIONS AND WIPE OFF EXCESS WITH A DAMP CLOTH.

CEILING OPENING DIMENSIONS:
 -OPENING WIDTH FOR MLS2 SERIES TO BE 2-1/8" TO 2-1/4"
 -OPENING WIDTH FOR MLS3 SERIES TO BE 3-1/4" TO 3-3/8"
 -LENGTH IS FIXTURE RUN LENGTH DEPENDANT.
 FOR EXAMPLE: 8FT IND WILL BE 96-3/8"-96-1/2"

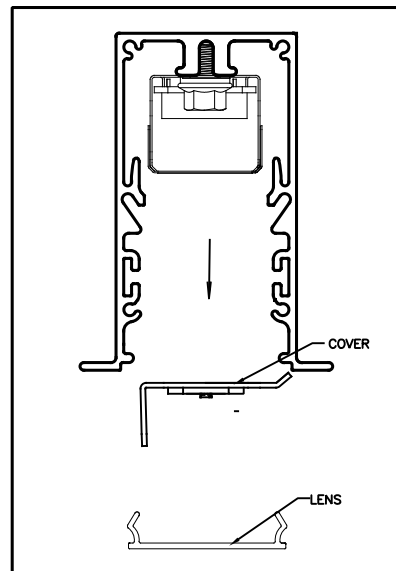
Project: **MLS3**
 TRIM/DRYWALL
 INSTALLATION INSTRUCTION



20 Audrey Place Fairfield, NJ 07004 U.S.A.

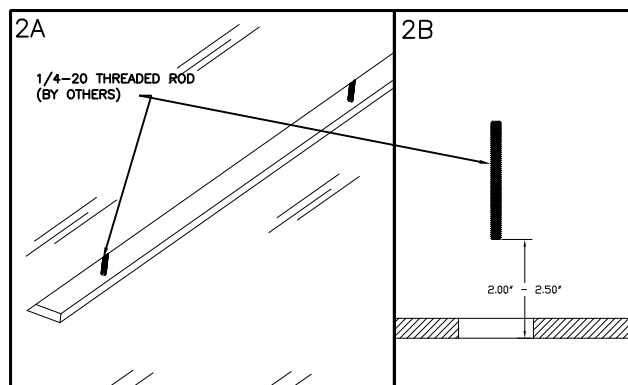
CATALOG NO:
MLS3-F-96-400-30K-HTA-1%-U

Distributor:		Type:	
By:	Date:	Scale:	
Dwg. no.:	Rev.:	Size:	



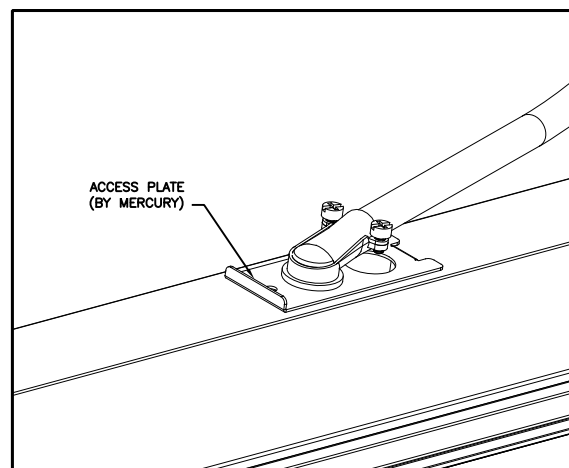
STEP 1:
 1A-REMOVE LENS AND COVER/LED BOARD MOUNT TRAY FROM FIXTURE(S).

1B-MARK EACH LENS AND COVER TO CORRESPONDING FIXTURE AND PUT ASIDE TO TO BE REINSTALLED IN STEP 12.



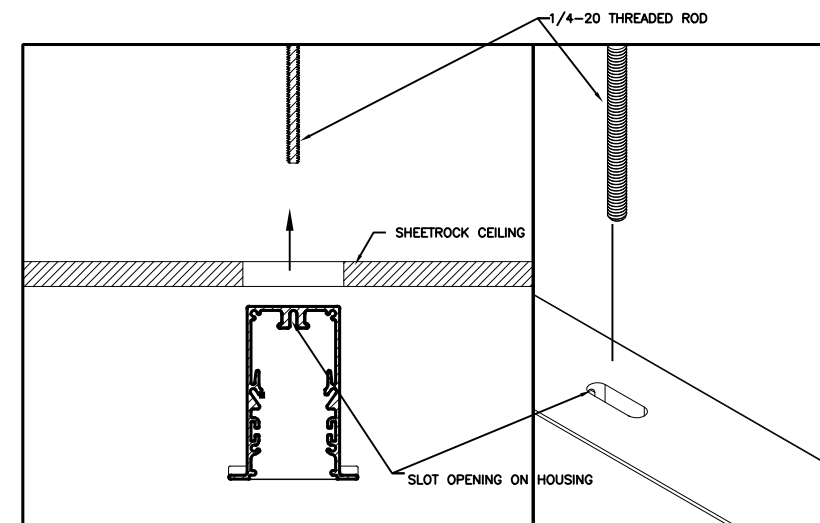
STEP 2:
 2A-VERIFY THAT 1/4-20 THREADED ROD FROM STRUCTURE ABOVE IS AT THE CORRECT LOCATION

2B-AND DISTANCE FROM CEILING TO END OF THREADED ROD TO BE BETWEEN 2.0"- 2.5".

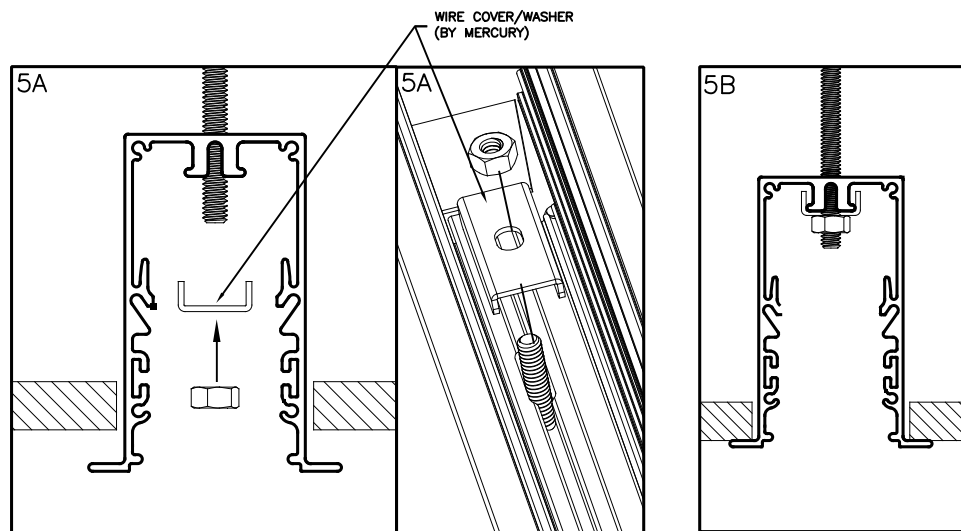


STEP 3:
 -MAKE ELECTRICAL CONNECTION TO BUILDING SUPPLY

*CAUTION- BUILDING POWER SHOULD BE OFF WHEN CONNECTION IS MADE TO FIXTURE.

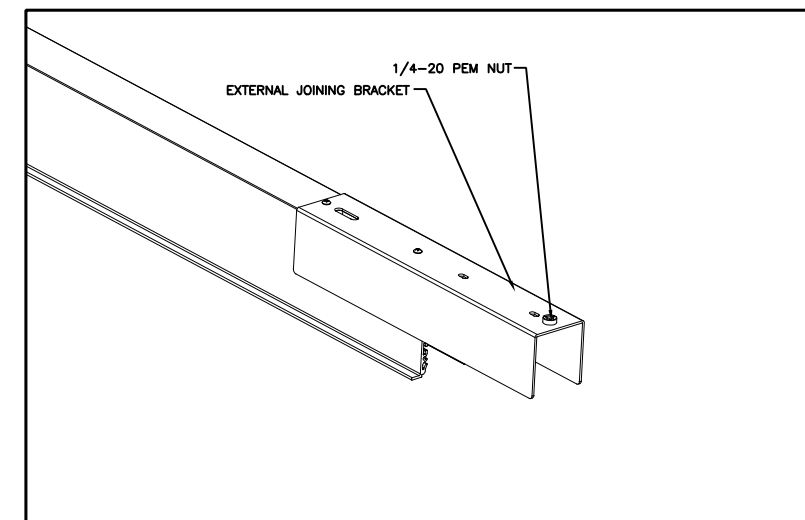


STEP 4:
 -ALIGN THREADED RODS TO SLOT OPENINGS ON HOUSING
 -BRING FIXTURE THROUGH CEILING AND THREADED RODS THROUGH SLOT OPENINGS ON HOUSING.



STEP 5:
 5A-INSERT WIRE COVER/WASHERS AND HEX NUTS THROUGH THREADED RODS.
 5B-TIGHTEN 1/4-20 HEX NUTS AND DRAW FIXTURE TOWARDS CEILING UNTIL FIXTURE IS FLUSH TO CEILING AS SHOWN.

STEP 6:
 -FOR INDIVIDUAL FIXTURES CONTINUE TO STEP 12
 -CONTINUE TO STEP 8 FOR RUN LENGTH HAVING MORE THAN ONE FIXTURE, GO TO STEP 7



STEP 7:
 -FOR RUNS HAVING MORE THAN ONE FIXTURE: REPEAT STEP 2-5. START WITH STARTER MODULE.
 -NOTE THAT STARTER FIXTURE HAS EXTERNAL JOINING BRACKET ON OPEN END

This document contains confidential and proprietary information and cannot not be reproduced or divulged, in whole or part, without authorization in writing by Mercury Architectural Lighting.

Project: **MLS3**
 TRIM/DRYWALL
 INSTALLATION INSTRUCTION

Distributor: _____ Type: _____

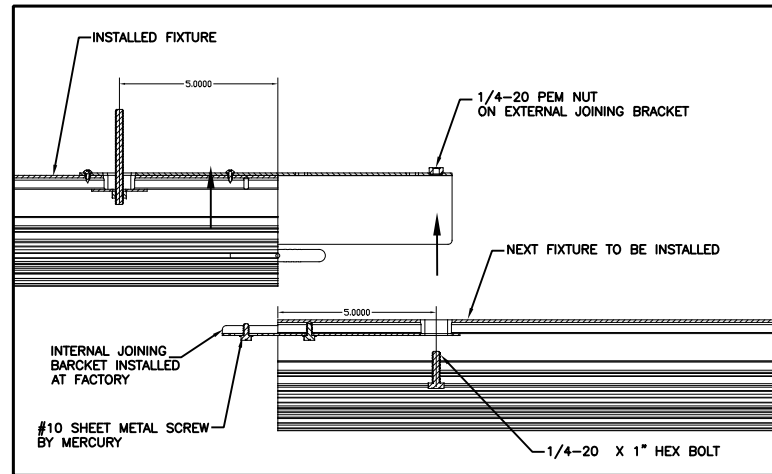
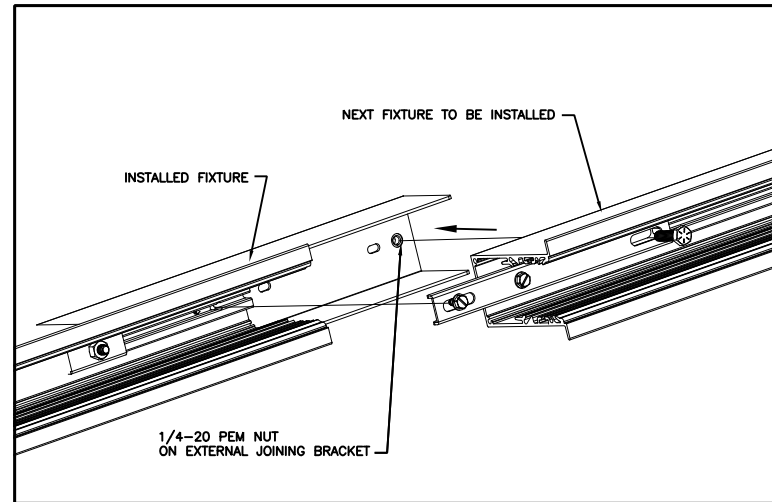
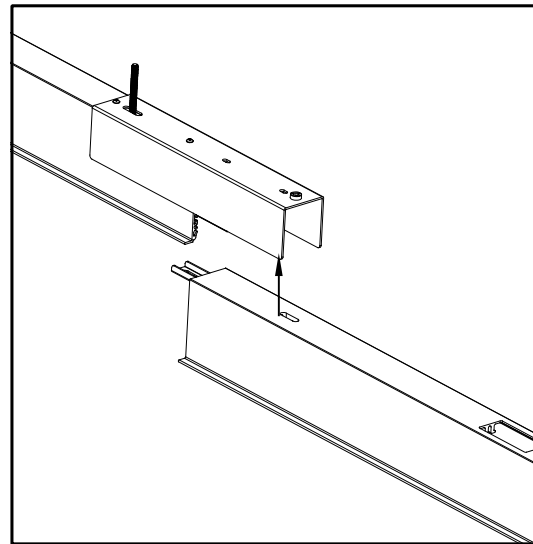
By: _____ Date: _____ Scale: _____

Dwg. no.: _____ Rev. _____ Size: _____

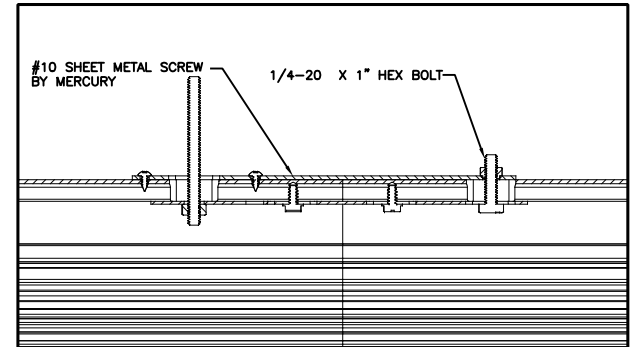
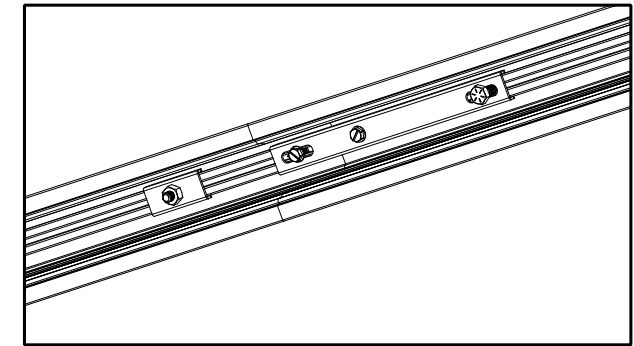
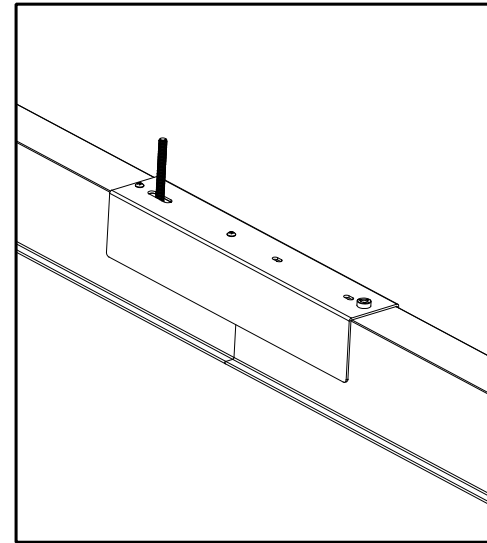
MERCURY
 ARCHITECTURAL
 LIGHTING

20 Audrey Place Fairfield, NJ 07004 U.S.A.

CATALOG NO:
MLS3-F-96-400-30K-HTA-1%-U

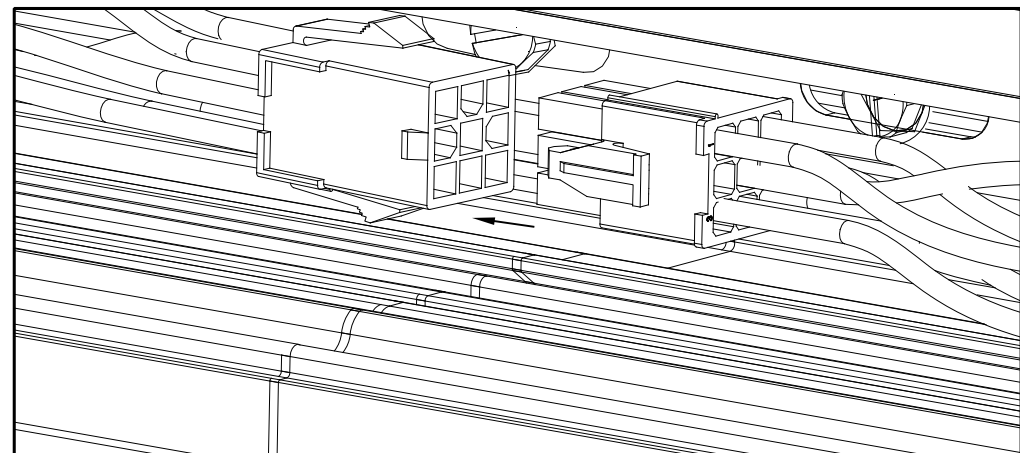


STEP 8:
 -AFTER STARTER MODULE IS SECURED IN POSITION,
 CONTINUE WITH THE NEXT MODULE (MIDDLE OR END)
 -BRING THE NEXT MODULE UP UNTIL BOTH ENDS
 ARE FLUSH AGAINST EACH OTHER
 -ALIGN MIDDLE OR END FIXTURE ADJACENT FIXTURE
 SECURE FIXTURES TOGETHER WITH SUPPLIED
 HARDWARE
 -CEILING NOT SHOWN FOR CLARITY

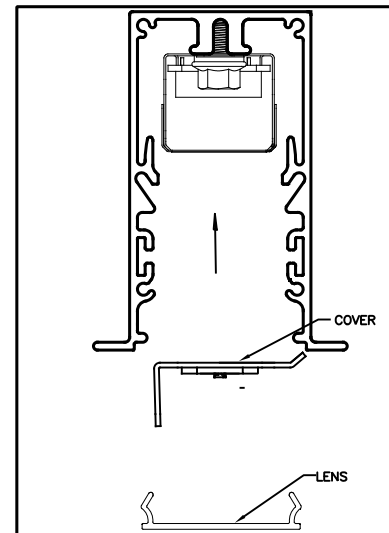


STEP 9:
 -REPEAT STEP 8 AND 9 UNTIL THE RUN IS
 COMPLETE
 -USE WIRE COVER/WASHER AND HEX NUT TO
 SECURE THE LAST FIXTURE TO THE LAST 1/4-20
 THREADED ROD

COMPLETE JOINT ASSEMBLY



STEP 10:
 -MAKE ELECTRICAL CONNECTION BETWEEN FIXTURES.



STEP 11:
 -REINSTALL COVER/LED BOARD MOUNT TRAY AND
 LENS REMOVED FROM STEP 1.

This document contains confidential and proprietary information and cannot not be reproduced or divulged, in whole or part, without authorization in writing by Mercury Architechural Lighting.