


WARNING

1. Don't use at place that exists with vibration, impact corrosion or flammable gas and dust.
2. Don't use at place that is in high temperature as like sauna.
3. Only use designated LED.
4. Don't modify and change assembly of luminaires.
5. Don't light on when lighting fixture is damaged.
6. Connect power source line to LED driver certified according to en/iec 60742.
7. Track spot luminaire should be installed in the track tightly using provided track adaptor.

CAUTION

1. When removing or attaching the reflector, do not touch it with your bare hands.
(※ Clean gloves or new gloves should be used since fingerprints may remain on the reflector)
2. The luminaire is not suitable for external installation.
3. Cables must not touch the luminaire housing.
4. To avoid risks, if this luminaire has a damaged external flexible cable, it must only be replaced by the manufacturer, his service agent or qualified technician.
5. This sign  on the luminaire symbolizes the safety distance.
This safety distance is to be observed.
6. The luminaire must be switched-off and cool before being cleaned.
Note : Regular cleaning is essential. The interval and method will depend on the mounting location, the mounting situation and ambient conditions.
7. A dampened soft cloth is to be used.
8. Use a soft cloth and a standard pH neutral, alcohol free non-scouring detergent.
Ensure wire color : (+) red, (-) black
9. Use a soft cloth and a standard pH neutral, non scouring detergent.
10. Do not make a circuit with other lighting fixtures which have different light source like discharge lamp & etc.
11. FOR USE WITH Dongguan Tian Sheng Optic-Tronics Corp. (E494851). Model PRO-0310C TRACK SYSTEM ONLY.



This marking shown on the product or its literature, indicates that it should not be disposed with other household wastes at the end of its working life. To prevent possible harm to the environment or human health from uncontrolled waste disposal, please separate this from other types of wastes and recycle it responsibly to promote the sustainable reuse of material resources.

Household users should contact either the retailer where they purchased this product, or their local government office, for details of where and how they can take this item for environmentally safe recycling.
Business users should contact their supplier and check the terms and conditions of the purchase contract.
This product should not be mixed with other commercial wastes for disposal.

SAFETY MARKS



Minimum distance below ceiling of **1.64 ft** between lamp and any combustible materials.

The luminaire can be installed with minor obstructions such as timber beams above the ceiling within **4"-8" distance**.



The luminaire must not under and circumstances be covered with heat insulating covers or similar materials.



For direct mounting on normally flammable surfaces

※ Before you use, please read this information and use correctly.

IMPORTANT SAFETY INSTRUCTIONS

When installing or using this track system, basic safety precautions should always be followed, including the following:

- a) READ ALL INSTRUCTIONS.
- b) Do not install this track in damp or wet locations.
- c) Do not install any luminaire assembly closer than 6 inches from any curtain, or similar combustible material.
- d) Do not install any part of the track system less than 5 feet above the floor.
- e) Disconnect electrical power before adding to or changing the configuration of the track.
- f) Do not attempt to energize anything other than lighting track luminaires on the track. To reduce the risk of fire and electric shock, do not attempt to connect power tools, extension cords, appliances, and the like to the track.

SAVE THESE INSTRUCTIONS

Added "Important Safety Instructions. DM 2023-03-12



Product Family: FLUTE

INSTALLATION INSTRUCTIONS

SAFETY INFORMATION

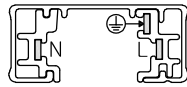
Track Luminaire Assembly

FLT7

※ To change size depending on options.

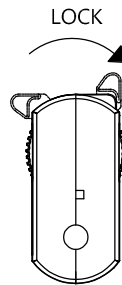
TRACK SPEC

[2P TRACK] 1-CIRCUIT TRACK SYSTEM



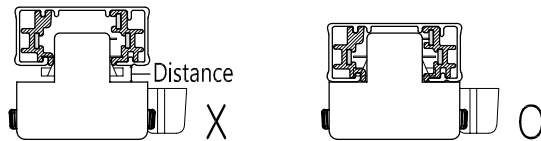
ADAPTER

2P Adapter



1. Slide the multi-adapter into the track.
2. Insert the adapter and turn the lever to fix it.

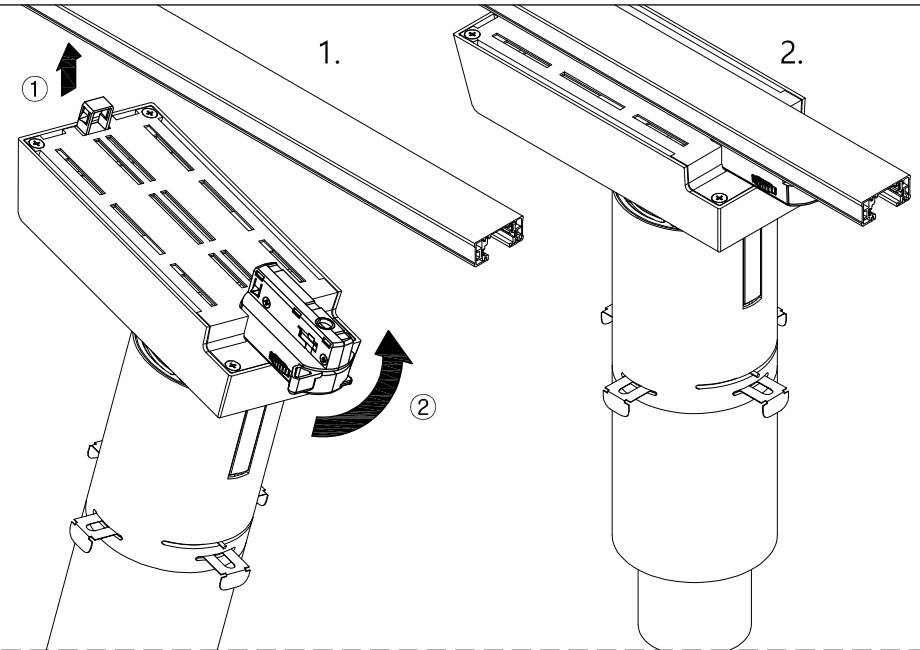
※ Installation Precautions



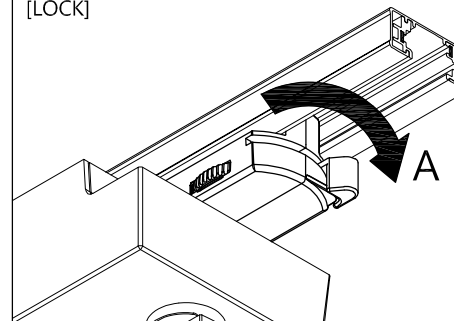
[Usage Precautions]

1. Make sure that the installation site is horizontal.
(If there is a bend, the connection part may fall off and the power may not be smooth.)
2. Do not separate circuit by any processing.
3. Do not tighten the fixing bolts of the connecting part too hard.
(A gap between track and adapter may cause the power to be cut off.)
4. Make sure that the tracks and connecting parts are correctly joined when connecting .
5. Use a sharp blade when you cut the track. (Aluminum debris may cause a short circuit.)
6. Do not use for other purposes.

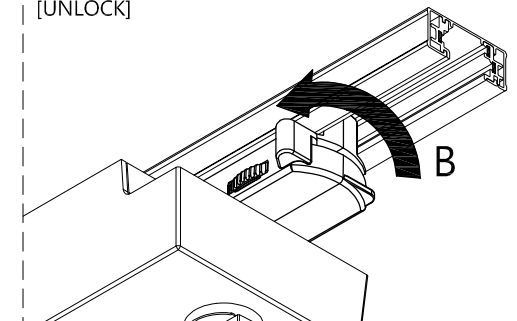
INSTALLATION



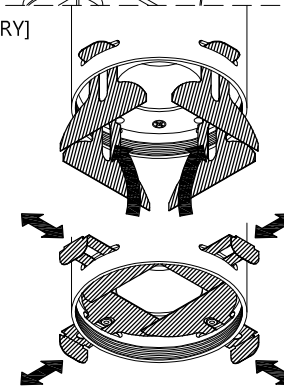
[LOCK]



[UNLOCK]

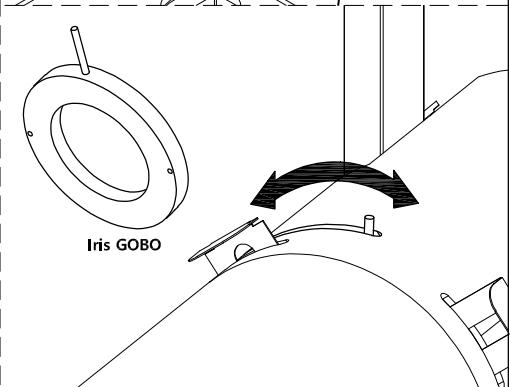


[ACCESSORY]



ACC-01 SHAPER

- After setting the shaper, adjust it to the desired angle.



ACC-02 Iris GOBO

- Control of light quantity and size.