

# GALAXY COLLECTION

## SATURN

**DIRECT RING  
SUSPENDED MOUNT**

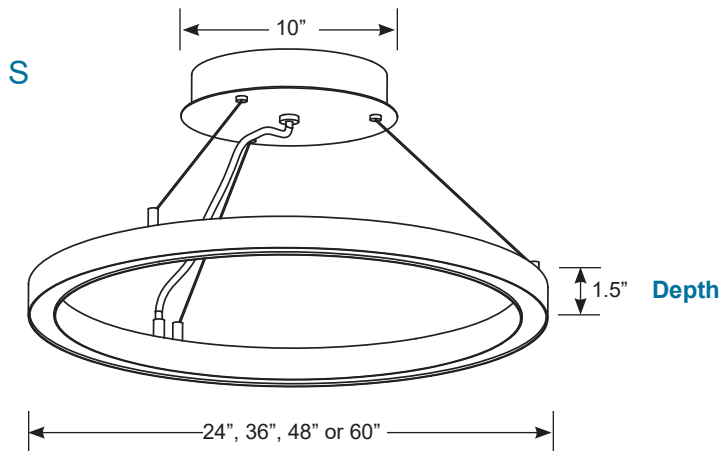
GSD Series | Architectural LED Illuminating Rings



**Features:**

- Ultra slim architectural ring of direct LED illumination.
- Extruded aluminum housing produces a perfect circle of light.
- Narrow profile: Width = 1.3". Depth = 1.5".
- Diameter sizes/Lumen Output: 2ft./3400L, 3ft./4250L, 4ft./6800L, 5ft./8500L.
- Custom formulated high diffusion acrylic lens.
- Suspended on cables.
- 90 CRI standard.
- Continuous dimming capability down to 5% on 0-10V controls.
- Fixture lumens per watt ratio 85 LPW.
- White or black powder coating finish.
- Suitable for damp locations.

**Cross Section**

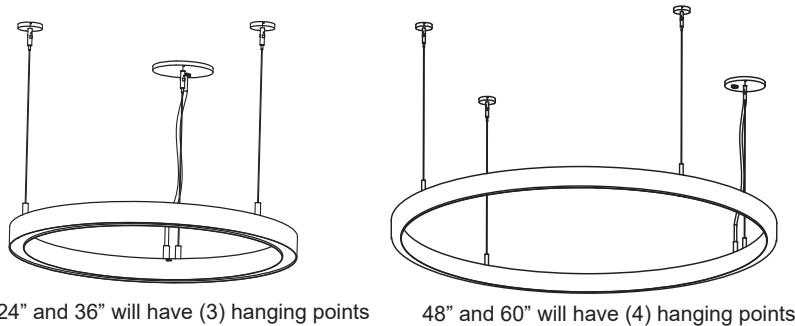


**Lumen Package/Performance**

Series	Diameter (IN)	Color Temp (90 CRI)	Delivered Lumens Total (L)	Fixture Power (W)	Lumens Per Watt (LPW)
GSD	24	3000K	3400	40	85
	24	3500K	3400	40	85
	36	3000K	4250	50	85
	36	3500K	4250	50	85
	48	3000K	6800	80	85
	48	3500K	6800	80	85
	60	3000K	8500	100	85
	60	3500K	8500	100	85

**MS**

Multiple Suspended will require remote driver box (not shown).



Fixture Type:

Job Information:

# Saturn Direct | GALAXY COLLECTION

GSD Series | Architectural LED Illuminating Rings

Direct Ring  
Suspended Mount

Ex: GSD-S-3400/24-935K-W-5%-U

GSD			U			
Series	Mounting	Nominal lumens (L) / Diameter (in.)	Color Temp (90 CRI)	Finish	Driver	Voltage
GSD Galaxy Saturn Direct Ring	S* Suspended	3400/24 4250/36 6800/48 8500/60	930K 935K	W White B Black	5%* 0-10V 5% Dimming	U Uni 120V-277V
	MS** Multiple Suspended	1%** 0-10V 1% Dimming				

\* S Mounting - 5% dimming only

\*\* MS Mounting 1% dimming only

## Housings

Extruded aluminum profile.

Fabricated into seamless round diameters of 24", 36", 48" or 60".

Inconspicuous cable mounting track along the housing top.

Non-glare polyester powder coating in white or black provides a durable and long-lasting finish.

## Diffusers

Seamless fit diffuser.

Extruded from high transmission white polycarbonate anti-UV material.

Allows maximum light transmission while eliminating pixilations or hot spots.

Smooth finish compliments the architectural elements.

## LED Modules

High performance linear configured LED modules.

The boards produce an even and diffuse light which maximizes optical efficiency.

Samsung 2835, 9V, 100mA or equal.

Compatible with the dimming performance of the led driver.

Color temperatures 3000K or 3500K.

90 CRI standard.

## LED Drivers

Fixed current power supply.

See performance chart for lumen outputs.

Continuous dimming down to 5% on 0-10V controls.

Universal voltage input, 120V-277V.

Arcata, PF>0.9, no flicker, UL cert, class P or equal.

## Installations

Designed to be suspended on cables.

Cable hanging kit included with each luminaire.

Each kit includes one 10-inch diameter canopy in color matching housing.

Each kit includes 5ft. aircraft cables; three for 24" and 36" size, four for 48" and 60" size.

Each kit includes 5ft. power feed wire in color matching housing.

## Certificate of Safety Compliance and Listings

UL and CUL listed 1598 and bears their label.

Suitable for damp locations.

## Warranty

Five-year limited warranty.

Actual performance may differ as a result of end-user environment and application.

Most LED luminaires are suitable to operate in ambient temperatures from -20C (-4F) to 25C (77F).

