

# GALAXY COLLECTION

## SATURN DIRECT INDIRECT

DIRECT INDIRECT RING  
SUSPENDED MOUNT

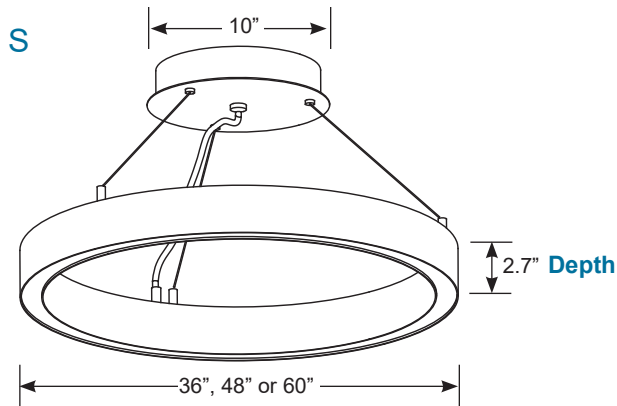
GSDI | Architectural LED Illuminating Rings



### Features:

- Ultra slim architectural ring of dual directional LED illumination.
- Direct downlighting combined with indirect uplighting.
- Extruded aluminum housing produces a perfect circle of light.
- Narrow profile: Width = 1.7". Depth = 2.7".
- Diameter sizes/Total Lumens: 3ft./6800L, 4ft./10,200L, 5ft./11,475L.
- 70% Direct/30% Indirect.
- Custom formulated high diffusion acrylic lens.
- Suspended on cables to ceiling.
- 90 CRI standard.
- Continuous dimming capability down to 5% on 0-10V controls.
- Fixture lumens per watt ratio 85 LPW.
- White or black powder coating finish.
- Suitable for damp locations.

### Cross Section

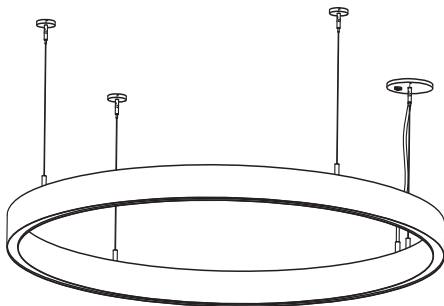


### Lumen Package/Performance

Series	Diameter (IN)	Color Temp (90 CRI)	Total Lumens Output (L)	Direct/ Indirect %	Delivered Lumens Direct (L)	Delivered Lumens Indirect (L)	Total Fixture Power (W)	Lumens per Watt (LPW)
GSDI	36	3000	6800	70/30	4760	2040	80	85
	36	3500	6800	70/30	4760	2040	80	85
	48	3000	10,200	70/30	7140	3060	120	85
	48	3500	10,200	70/30	7140	3060	120	85
	60	3000	11,475	70/30	8032	3442	135	85
	60	3500	11,475	70/30	8032	3442	135	85

### MS

Multiple Suspended will require remote driver box (not shown).



36", 48", 60" will have (4) hanging points



Fixture Type:

Job Information:

# Saturn Direct Indirect | GALAXY COLLECTION

GSDI Series | Architectural LED Illuminating Rings

Direct Indirect Ring  
Suspended Mount

Ex: GSDI-S-6800/36-935K-W-5%-U

GSDI			U			
Series	Mounting	Nominal lumens (L) / Diameter (in.)	Color Temp (90 CRI)	Finish	Driver	Voltage
GSDI Galaxy Saturn Direct/Indirect Ring	S* Suspended	<b>6800/36</b> 24W Up, 56W Down	<b>930K</b>	W White B Black	<b>5%*</b> 0-10V 5% Dimming	<b>U</b> Uni 120V-277V
	MS** Multiple Suspended	<b>10,200/48</b> 36W Up, 84W Down	<b>935K</b>			
		<b>11,475/60</b> 45W Up, 90W Down				

\* S Mounting - 5% dimming only

\*\* MS Mounting 1% dimming only

## Housings

Extruded aluminum profile.

Fabricated into seamless round diameters of 36", 48", or 60"

Inconspicuous cable mounting track along the housing top.

Non-glare polyester powder coating in white or black provides a durable and long-lasting finish.

## Diffusers

Seamless fit diffuser.

Extruded from high transmission white polycarbonate anti-UV material.

Allows maximum light transmission while eliminating pixelations or hot spots.

Smooth finish compliments the architectural elements.

## LED Modules

High performance linear configured LED modules.

The boards produce an even and diffuse light which maximizes optical efficiency.

Samsung 2835, 9V, 100mA or equal.

Compatible with the dimming performance of the led driver.

Color temperatures 3000K or 3500K.

90 CRI standard.

## LED Drivers

Fixed current power supply.

See performance chart for lumen outputs.

Continuous dimming down to 5% on 0-10V controls.

Universal voltage input, 120V-277V.

Arcata, PF>0.9, no flicker, UL cert, class P or equal.

## Installations

Designed to be suspended on cables.

Cable hanging kit included with each luminaire.

Each kit includes one 10-inch diameter canopy in color matching housing.

Each kit includes 5ft. aircraft cables; four per kit.

Each kit includes 5ft. power feed wire in color matching housing.

## Certificate of Safety Compliance and Listings

UL and CUL listed 1598 and bears their label.

Suitable for damp locations.

## Warranty

Five-year limited warranty.

Actual performance may differ as a result of end-user environment and application.

Most LED luminaires are suitable to operate in ambient temperatures from -20C (-4F) to 25C (77F).

