

GALAXY COLLECTION

ORION

DIRECT RING
SUSPENDED MOUNT

GO Series | Architectural LED Illuminating Rings



Features:

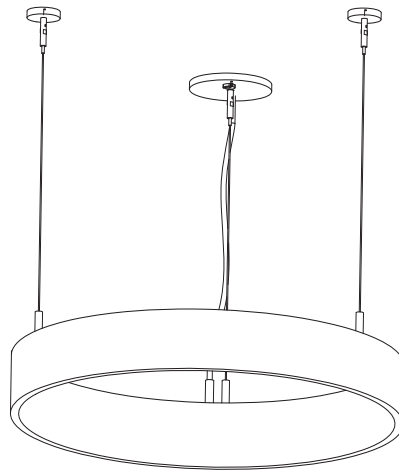
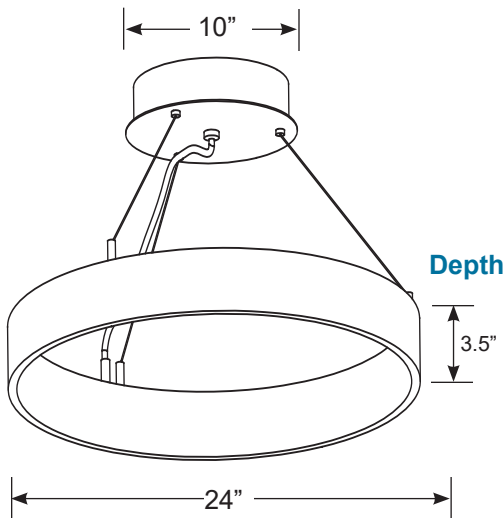
- Architectural ring luminaire offering direct-light LED performance.
- Uniquely crafted with powerful "inside the ring" illumination.
- Extruded aluminum housing produces a perfect circle of light.
- Custom formulated high diffusion acrylic lens.
- Diameter sizes/Lumen Output: 2ft./2520L.
- Suspended on cables.
- 90 CRI standard.
- Continuous dimming capability down to 5% on 0-10V controls.
- White or black powder coating finish.
- Fixture lumens per watt ratio 70 LPW.
- Suitable for damp locations.

Cross Section

S

MS

Multiple Suspended will require remote driver box (not shown).



24" will have (3) hanging points

Lumen Package/Performance

Series	Diameter (IN)	Color Temp (90 CRI)	Delivered Lumens Total (L)	Fixture Power (W)	Lumens Per Watt (LPW)
GO	24	3000	2520	36	70
	24	3500	2520	36	70



Fixture Type:	Job Information:
<input type="text"/>	<input type="text"/>

Orion | GALAXY COLLECTION

GO Series | Architectural LED Illuminating Rings

Direct Ring
Suspended Mount

Ex: GO-S-2520/24-935K-W-5%-U

Series	Mounting	Nominal lumens (L) / Diameter (in.)	Color Temp (90 CRI)	Finish	Driver	Voltage
GO Galaxy Orion Direct Ring	S* Suspended	2520/24	930K 935K	W White B Black	5%* 0-10V 5% Dimming	U Uni 120V-277V
	MS** Multiple Suspended				1%** 0-10V 1% Dimming	

* S Mounting - 5% dimming only

** MS Mounting 1% dimming only

Housings

Extruded aluminum profile.

Fabricated into seamless round diameters of 24".

Inconspicuous cable mounting track along the housing top.

Non-glare polyester powder coating in white or black provides a durable and long-lasting finish.

Diffusers

Seamless fit diffuser.

Extruded from high transmission white polycarbonate anti-UV material.

Allows maximum light transmission while eliminating pixilations or hot spots.

Smooth finish compliments the architectural elements.

LED Modules

High performance linear configured LED modules.

The boards produce an even and diffuse light which maximizes optical efficiency.

Samsung 2835, 9V, 100mA or equal.

Compatible with the dimming performance of the led driver.

Color temperatures 3000K or 3500K.

90 CRI standard.

LED Drivers

Fixed current power supply.

See performance chart for lumen outputs.

Continuous dimming down to 5% on 0-10V controls.

Universal voltage input, 120V-277V.

Arcata, PF>0.9, no flicker, UL cert, class P or equal.

Installations

Designed to be suspended on cables.

Cable hanging kit included with each luminaire.

Each kit includes one 10-inch diameter canopy in color matching housing.

Each kit includes three 5ft. aircraft cables

Each kit includes 5ft. power feed wire in color matching housing.

Certificate of Safety Compliance and Listings

UL and CUL listed 1598 and bears their label.

Suitable for damp locations.

Warranty

Five-year limited warranty.

Actual performance may differ as a result of end-user environment and application.

Most LED luminaires are suitable to operate in ambient temperatures from -20C (-4F) to 25C (77F).

