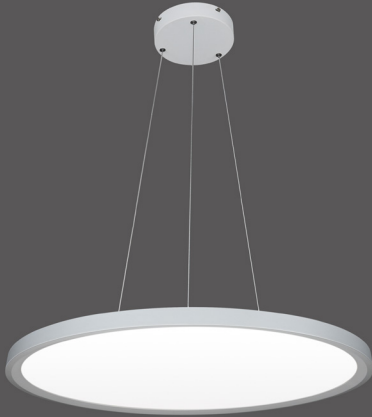


# GALAXY COLLECTION

## MARS

DIRECT RING  
SUSPENDED MOUNT

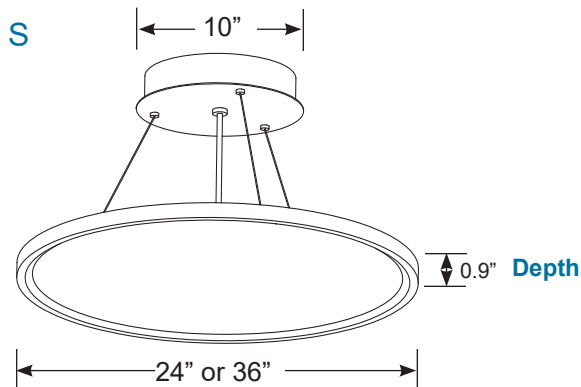
### GM Series | Architectural LED Illuminating Rings



#### Features:

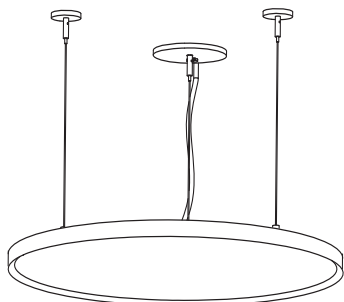
- Ultra slim architectural ring of direct LED illumination.
- Extruded aluminum housing produces a perfect circle of light.
- Soft glowing diffuser is encapsulated within the ring.
- Narrow one-inch profile depth.
- Diameter sizes/Lumens: 2ft./3200L, 3ft./7200L.
- Suspended on cables.
- 90 CRI standard.
- Continuous dimming capability down to 5% on 0-10V controls.
- Fixture lumens per watt ratio 80 LPW.
- White or black powder coating finish.
- Suitable for damp locations.

#### Cross section

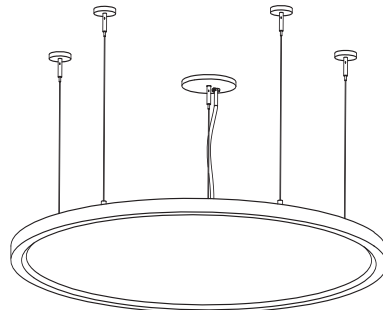


#### MS

Multiple Suspended will require remote driver box (not shown).



24" will have (3) hanging points



36" will have (5) hanging points

#### Lumen Package/Performance

Series	Diameter (IN)	Color Temp (90 CRI)	Delivered Lumens Total (L)	Fixture Power (W)	Lumens Per Watt (LPW)
GM	24	3000	3200	40	80
	24	3500	3200	40	80
	36	3000	7200	90	80
	36	3500	7200	90	80



Fixture Type:	Job Information:
<input type="text"/>	<input type="text"/>

# Mars | GALAXY COLLECTION

GM Series | Architectural LED Illuminating Rings

Direct Ring  
Suspended Mount

Ex: GM-S-3200/24-930K-W-5%-U

GM					U	
Series	Mounting	Nominal lumens (L) / Diameter (in.)	Color Temp (90 CRI)	Finish	Driver	Voltage
<b>GM</b> Galaxy Mars Direct Ring	<b>S*</b> Suspended	<b>3200/24</b>	<b>930K</b>	<b>W</b> White <b>B</b> Black	<b>5%*</b> 0-10V 5% Dimming	<b>U</b> Uni 120V-277V
	<b>MS**</b> Multiple Suspended	<b>7200/36</b>	<b>935K</b>		<b>1%**</b> 0-10V 1% Dimming	

\* S Mounting - 5% dimming only

\*\* MS Mounting 1% dimming only

## Housings

Extruded aluminum profile.

Fabricated into seamless round diameters of 24" or 36".

Inconspicuous cable mounting track along the housing top.

Non-glare polyester powder coating in white or black provides a durable and long-lasting finish.

## Diffusers

Seamless fit one-piece round diffuser.

Extruded from high transmission white polycarbonate anti-UV material.

Allows maximum light transmission while eliminating pixilations or hot spots.

Smooth finish compliments the architectural elements.

## LED Modules

High performance linear configured LED modules.

The boards produce an even and diffuse light which maximizes optical efficiency.

Samsung 2835, 9V, 100mA or equal.

Compatible with the dimming performance of the led driver.

Color temperatures 3000K or 3500K.

90 CRI standard.

## LED Drivers

Fixed current power supply.

See performance chart for lumen outputs.

Continuous dimming down to 5% on 0-10V controls.

Universal voltage input, 120V-277V.

Arcata, PF>0.9, no flicker, UL cert, class P or equal.

## Installations

Designed to be suspended on cables.

Cable hanging kit included with each luminaire.

Each kit includes one 10-inch diameter canopy in color matching housing.

Each kit includes 5ft. aircraft cables; three for 24", five for 36" size.

Each kit includes 5ft. power feed wire in color matching housing.

## Certificate of Safety Compliance and Listings

UL and CUL listed 1598 and bears their label.

Suitable for damp locations.

## Warranty

Five-year limited warranty.

Actual performance may differ as a result of end-user environment and application.

Most LED luminaires are suitable to operate in ambient temperatures from -20C (-4F) to 25C (77F).

