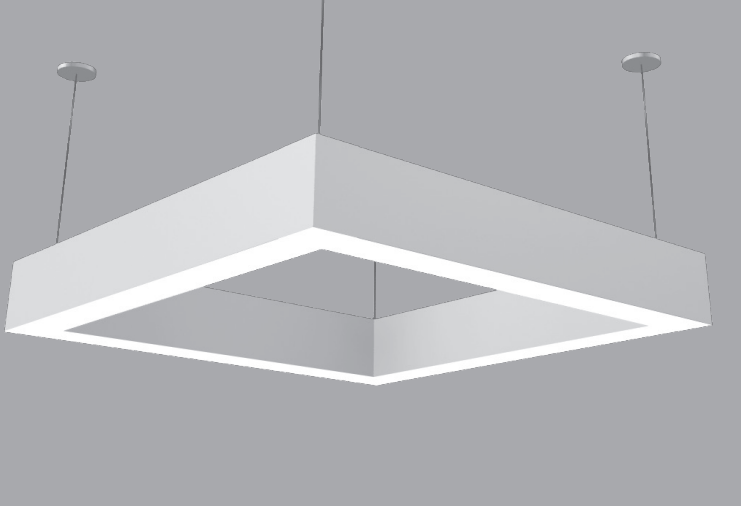


LIGHTSHAPES

MLS2-MSQ SERIES

SQUARE MODULES SUSPENDED OR SURFACE MOUNT

Architectural Linear LED Illuminating System | LIGHTSHAPES 2

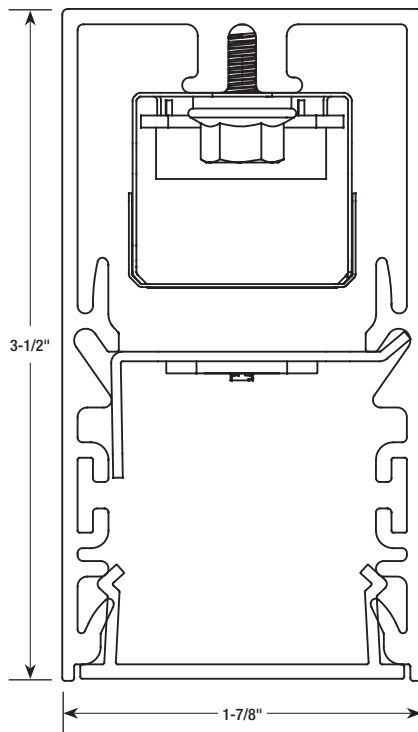


Features

- Fully illuminated square modules.
- Extruded aluminum housings and mitered corners for perfectly constructed squares of light.
- Narrow profile; 1-7/8-inch width.
- Standard squares of 24", 30", 35", and 46".
- Custom formulated high diffusion extruded acrylic lenses, mitered at the corners.
- Non-glare matte-white polyester powder coating finish.
- Cable mount from ceiling or direct surface mount.
- Cataloged standard or custom set lumen packages.
- 80 CRI standard. 90 CRI available.
- Dimming down to 1% on 0-10V controls.
- Fixture lumens per watt ratios up to 91.
- Lighting controls and sensors.
- Custom sizes and other shapes available.
- American Made.



Cross Section (actual size)



Performance

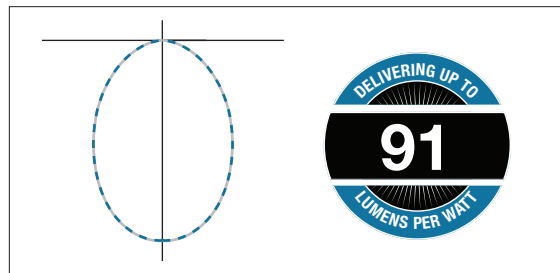
Based on 3500K, 80 CRI, HTA diffuser

| Square Size | Nominal Lumen Package | Color | System Watts (W) | Delivered Lumens (L) | Lumens Per Watt (LPW) |
|-------------|-----------------------|-------|------------------|----------------------|-----------------------|
| 24" | 2700 | 35K | 31 | 2700 | 87 |
| | 3000 | 35K | 34 | 3000 | 88 |
| | 3300 | 35K | 37 | 3300 | 89 |
| | 3600 | 35K | 41 | 3600 | 88 |
| 30" | 3300 | 35K | 37 | 3376 | 91 |
| | 3700 | 35K | 42 | 3749 | 89 |
| | 4100 | 35K | 46 | 4124 | 90 |
| | 4500 | 35K | 51 | 4500 | 88 |
| 35" | 4000 | 35K | 45 | 4053 | 90 |
| | 4500 | 35K | 50 | 4499 | 90 |
| | 4900 | 35K | 56 | 4951 | 88 |
| | 5400 | 35K | 61 | 5401 | 89 |
| 46" | 5400 | 35K | 62 | 5400 | 87 |
| | 6000 | 35K | 68 | 6000 | 88 |
| | 6600 | 35K | 74 | 6600 | 89 |
| | 7200 | 35K | 82 | 7200 | 88 |

MULTIPLIER For other Color Temp (K)

| | |
|-------|------|
| 3000K | 97% |
| 3500K | 100% |
| 4000K | 102% |
| 5000K | 103% |

Actual performance may differ by +/- 5% when operating between 120V-277V +/- 10%. Consult Factory for 90 CRI performances.



fixture type:

job information:

MLS2-MSQ Series | LIGHTSHAPES 2

Architectural Linear LED Illuminating System | Square Modules – Suspended or Surface Mount

Ex: MLS2-MSQ-24-3600-35K-HTA-1%-U

| Options | | | | | | | | | | | | | |
|-----------------------|-------------------------------------|---------------------------|--|---|--|--|------------------------|--------------------|----------------------------|-----------------------|---------------------|--|--|
| Series | Mounting | Square Description | Nominal Lumens | Color Temp | Diffuser | Driver | Voltage | Standby Modules | Lighting Controls | Custom Hanging Points | Custom Paint Colors | Misc. | |
| MLS2 Lightshapes 2 | MSQ Square Suspended Mount | 24 24" X 24" Square | 2700 24" 3000 HTA 3300 3600 | 30K 35K 40K 50K Upon Request | HTA High Transmission Acrylic | 1% 0-10V 1% Dimming | U Uni 120V-277V | Consult Factory | S1 Philips EasySense | As Specified | As Specified | WL UL "Suitable for Wet Locations" labeled. | |
| | | 30 30" X 30" Square | 3300 30" 3700 HTA 4100 4500 | | | | | | | | | | |
| | MSQ1 Square Surface Mount | 35 35" X 35" Square | 4000 35" 4500 HTA 4900 5400 | 90 CRI 2700K, 3000K, 3500K and 4000K. | ASO Acrylic Smooth Opal (Performance is reduced with this diffuser) | SR Sensor Ready (Required for Certain Controls, Contact Factory) | 1 120V 7 277V | X As Specified | S2 Magnum M9 (Dali) | No Option | | | |
| | | 46 46" X 46" Square | 4000 35" 4500 HTA 4900 5400 | | | | | | | | | | |
| | | Custom Sizes | 5400 46" 6000 HTA 6600 7200 | | | | | | | | | | |
| | | | Custom Lumen Packages. Lumen Packages with ASO diffuser. Contact Factory. | | | | | | | | | | |
| | | | | | | | | | | | | | |
| | | | | | | | | | | | | | |
| | | | | | | | | | | | | | |
| | | | | | | | | | | | | | |
| | | | | | | | | | | | | | |
| | | | | | | | | | | | | | |

Housings

Extruded aluminum profile in a 0.080-inch wall thickness.

Computer-controlled cutting and TIG welding for zero-tolerance mitered corners.

A one-piece 14GA galvanized steel joiner/aligner bracket is also provided for each corner.

Internal cold-rolled steel components.

Standard or custom hanging points are provided.

A custom formulated non-glare matte-white polyester powder coating provides an extremely durable and long-lasting finish.

Custom color finishes on request.

Diffusers

Seamless fit diffusers. Flawless and consistent end-to-end fit.

Standard diffuser: extruded from custom formulated high transmission white acrylic material. Allows maximum light transmission while eliminating pixilation and hot spots.

Optional diffuser: extruded from acrylic smooth opal material. Offers a more esthetically white appearance. Note: reduces performance by up to 25%.

Smooth finish on both diffusers compliments the architectural elements.

LED Modules

High performance linear configured LED module boards.

Each board consists of multiple mid-power, high efficacy LEDs in a precise layout eliminating the need for supplemental heat sinking.

The boards produce an even and diffuse light which maximizes optical efficiency.



Compatible with the dimming performance of the LED driver.

Color temperatures available 80 CRI: 3000K, 3500K and 4000K. Upon request: 5000K.

Color temperatures available 90 CRI: 2700K, 3000K, 3500K and 4000K.

LED Drivers

Factory programmable constant current LED power supply.

Multiple standard drive current outputs (factory set by Mercury) are cataloged with their corresponding lumen package offerings. Upon request, custom drive current outputs and lumen package options are available.

Note: Certain cataloged lumen package offerings may be provided with a non-programmable constant current LED power supply at Mercury's discretion. Contact factory if critical.

Universal voltage input, 120V-277V, 50HZ-60HZ.

Specification grade dimming down to 1% on 0-10V dimming controls.

Sensor ready (SR) drivers compatible with most lighting controls are optional. Consult factory.

Lutron drivers available: LDE1 and LDE5 series.

Standby Lighting Options

Consult factory for full details.

Integral Lighting Controls

Various lighting controls and sensors are optional. Consult factory.

Installations

Designed to be suspended on cables. Specify **MSQ**

For direct surface mounting to most ceiling types, specify **MSQ1** and consult factory.

All square modules to include job required feed wire as specified.

Standard or custom hanging points will be provided per job specifications.

Certificate of Safety Compliance and Listings

Luminaire: UL and CUL listed 1598 and bears their label. Suitable for damp locations.

Optional: Suitable for wet locations marking is available. Some limitations apply. Contact factory for all details.

Warranty

5-year limited warranty is standard. Special 10-year warranty available on a job-to-job basis. Complete LED warranty terms available at www.mercltg.com.

Actual performance may differ as a result of end-user environment and application.

Most LED luminaires are suitable to operate in ambient temperatures from -20C (-4F) to 25C (77F).

The following exclusions apply: Luminaires with optional standby lighting option, integral lighting controls options, or wireless control options. Consult factory.

LM-79 testing was measured under a controlled 25C (77F) ambient operating temperature.

Hanging Accessories

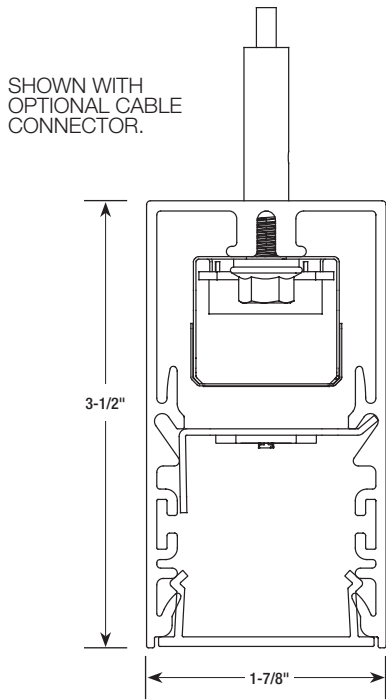
| Part # | Description |
|----------|---|
| R5PF-100 | Round 5" power feed canopy, Hanging hardware, 100" long 1/16" cable. |
| R5-100 | Round 5" canopy, Hanging hardware, 100" long 1/16" cable. |
| R2-100 | Round 2" canopy, Hanging hardware, 100" long 1/16" cable. |
| S5PF-100 | Square 5" power feed canopy, Hanging hardware, 100" long 1/16" cable. |
| S5-100 | Square 5" canopy, Hanging hardware, 100" long 1/16" cable. |
| S2-100 | Square 2" canopy, Hanging hardware, 100" long 1/16" cable. |

Other cable lengths available.

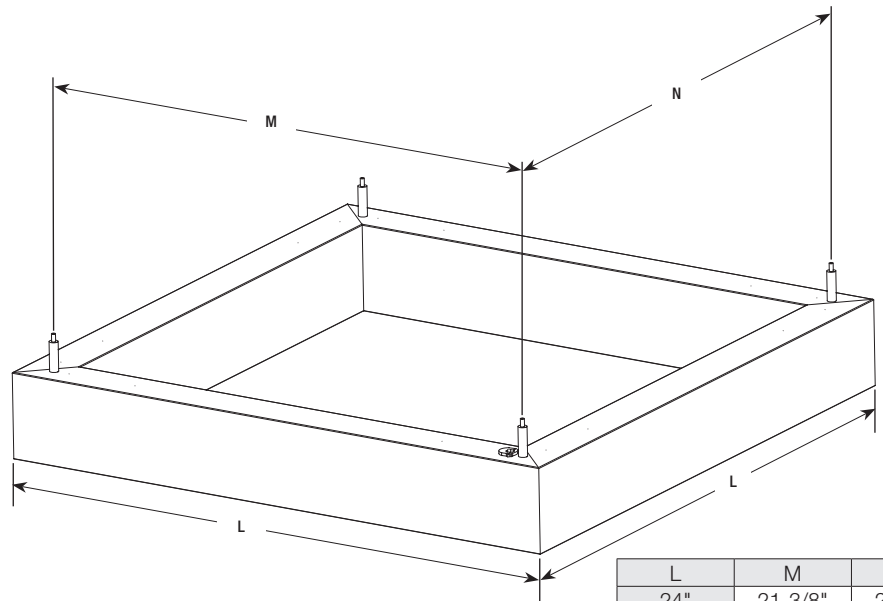
MLS2-MSQ Series | LIGHTSHAPES 2

Architectural Linear LED Illuminating System | Square Modules – Suspended or Surface Mount

Dimensional Data



Mounting Information



L = 24", 30", 35", or 46"

| L | M | N |
|-----|---------|---------|
| 24" | 21-3/8" | 22-1/8" |
| 30" | 27-3/8" | 28-1/8" |
| 35" | 32-3/8" | 33-1/8" |
| 46" | 43-3/8" | 44-1/8" |

Hanging Accessories

