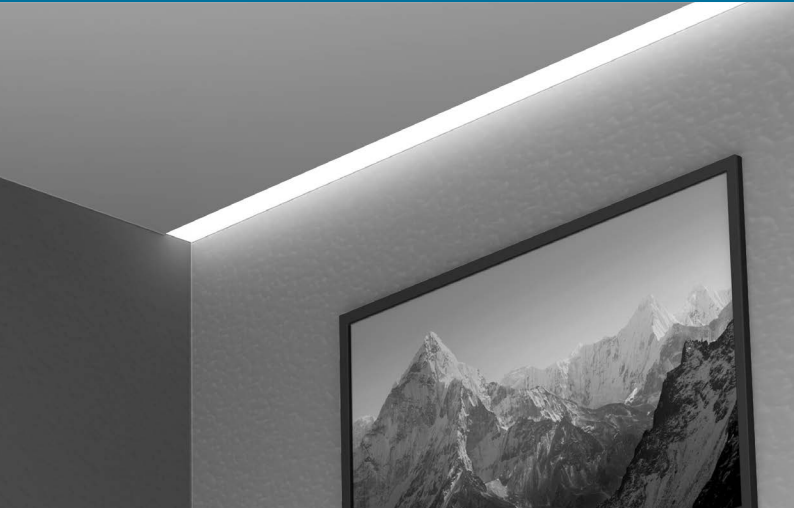


LIGHTSTREAMS

MLS2-WMR SERIES

WALL MOUNTED RECESSED LINEAR SYSTEM MOUNTS FLUSH WITH VARIOUS CEILING TYPES

Architectural Linear LED Illuminating System | LIGHTSTREAMS 2



Features

- Wall mounted/recessed direct illumination.
- Mounts flush with various ceiling types.
- Enhances and defines the perimeter of the ceiling.
- Direct downlighting for wall grazing and general room illumination.
- Extruded aluminum housing for perfectly straight lines of light.
- Narrow profile; 1-7/8-inch width.
- Linear lengths; 2-ft. and above in increments of one-inch.
- Custom formulated high diffusion extruded acrylic lens.
- Non-glare matte-white polyester powder coating finish.
- Cataloged standard or custom set lumens-per-foot performances.
- 80 CRI standard. 90 CRI available.
- Dimming down to 1% on 0-10V controls.
- Standard and custom corners
- American Made.



Performance

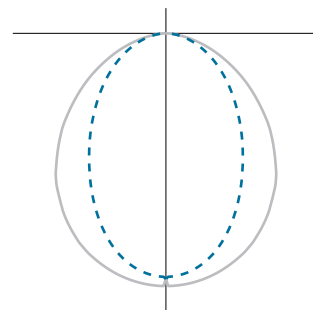
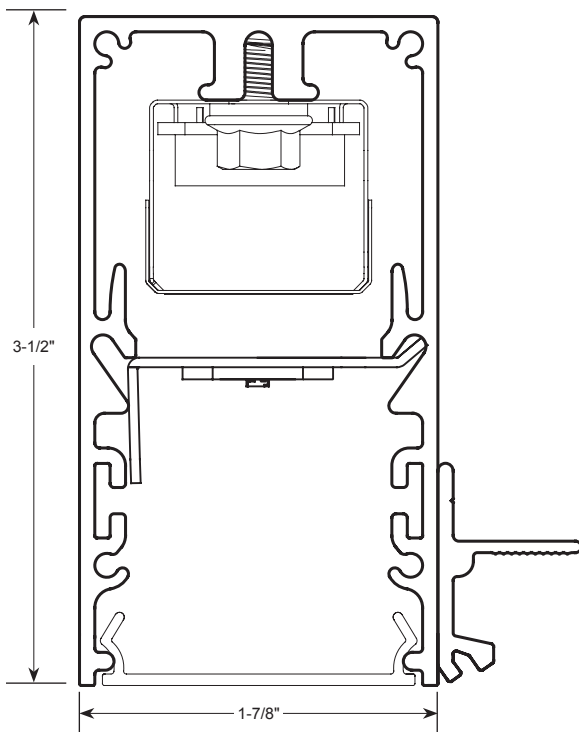
Based on 4Ft. Module, 3500K, 80 CRI, HTA diffuser

Lumens per Foot (LF)	Delivered Lumens (L)	System Watts (W)	Lumens per Watt (LPW)
400	1600	15.8	101.2
500	2000	20.2	99.0
625	2500	26.1	95.9
825	3300	36.2	91.3
900	3603	40.0	90.0

Multiplier for other Color Temp (K)

3000K	97%
3500K	100%
4000K	102%
5000K	103%

Actual performance may differ by +/- 5% when operating between 120V-277V +/- 10%. Consult Factory for 90 CRI performances.



Fixture Type:

Job Information:

MLS2-WMR Series | LIGHTSTREAMS 2

Architectural Linear LED Illuminating System | Wall Mounted Recessed Linear System Mounts Flush with Various Ceilings Types

Ex: MLS2-WMR-N5-96-825-35K-HTA-1%-U-EM12

Options

SERIES	MOUNTING	MODULE LENGTH	LUMENS/ FT	COLOR TEMP	DIFFUSER	DRIVER	VOLTAGE	STANDBY MODULES*	MISC.
MLS2-WMR LightStreams	N5 Trimless Plaster-In for 5/8" Drywall N1 Trimless Plaster-In for 1/2" Drywall G Grid 9/16" or 15/16" S Screw Slot or Interlude Grid 9/16"	48 48" Length	400 500 625	30K 35K 40K 50K Upon Request 927K 930K 935K 940K	HTA High Transmission Acrylic ASO Acrylic Smooth Opal	1% 0-10V 1% Dimming SR Sensor Ready (Required for Certain Controls, Contact Factory) LDE1 Lutron Hi- Lume	U Uni 120V-277V 1 120V 7 277V X As Specified	EM7 EM10 EM12 No Option	WL UL "Suitable for Wet Locations" labeled.
		96 96" Length 144 144" Length Custom or Row Length. 24" and above in 1" Increments. Ex. in inches: 82, 384, etc.	825 900 Custom Lumen Packages. Lumen Packages with ASO diffuser. Contact Factory.						

*Available in modules of 4-ft. and longer. / Maximum 625 Lumens per foot packages.

Housings

Extruded aluminum profile in a 0.080-inch wall thickness.

Maximum length of each linear component is 12-ft.

18GA steel ends are provided where needed at row termini.

A one-piece 14GA galvanized steel joiner/aligner bracket is provided for each joint between housings.

Internal cold-rolled steel components.

Housing intended for recessing at the perimeter of various types of ceiling systems.

Wall side of housing mounts directly to the wall.

With drywall trimless fit ceiling types, housing opposite wall side requires plaster-in by ceiling contractor.

A custom formulated non-glare matte-white polyester powder coating provides an extremely durable and long-lasting finish.

Diffusers

Seamless fit diffusers. Flawless and consistent end-to-end fit.

Extruded from custom formulated high transmission white acrylic material.

Allows maximum light transmission while eliminating pixilation and hot spots.

Smooth finish compliments the architectural elements.

LED Modules

High performance linear configured LED module boards.

Each board consists of multiple mid-power, high efficacy LEDs in a precise layout eliminating the need for supplemental heat sinking.

The boards produce an even and diffuse light which maximizes optical efficiency.

Compatible with the dimming performance of the LED driver.

Color temperatures available 80 CRI: 3000K, 3500K and 4000K. Upon request: 5000K.

Color temperatures available 90 CRI: 2700K, 3000K, 3500K and 4000K.

LED Drivers

Factory programmable constant current LED power supply.

Multiple standard drive current outputs (factory set by Mercury) are cataloged with their corresponding lumens-per-foot offering. Upon request, custom drive current outputs and lumens-per-foot options are available.

Note: Certain cataloged lumens-per-foot offerings may be provided with a non-programmable constant current LED power supply at Mercury's discretion. Contact factory if critical.

Universal voltage input, 120V-277V, 50HZ-60HZ.

Specification grade dimming down to 1% on 0-10V dimming controls.

Sensor ready (SR) drivers compatible with most lighting controls are optional. Consult factory.

Lutron driver available: LDE1 series. (Limited to 625 Lumens per foot packages).

Standby Lighting Options

Self-contained module, 7W, 10W or 12W as specified. Battery backup upon loss of power.

Available in modules of 4-ft. and longer. (Limited to 625 Lumens per foot packages).

Corners

Standard 90-degree corners for inside or outside turns.

Custom angled corners.

Contact factory.

Installations

Designed for recessing at the perimeter of various type of ceiling systems.

Wall side of housing mounts directly to the wall.

Trimless housing opposite wall side requires plaster-in by ceiling contractor.

Lengths of 12-ft. and less to use one housing with two ends pre-installed.

Lengths over 12-ft. will be engineered to job requirements using multiple housings with one end pre-installed at each row end.

Lengths over 12-ft. will include appropriate job required quick-connect plug-thru wire harnesses and housing joiners.

Certificate of Safety Compliance and Listings

Luminaire: UL and CUL listed 1598 and bears their label. Suitable for damp locations.

Optional: Suitable for wet locations marking is available. Some limitations apply. Contact factory for all details.

Warranty

5-year limited warranty is standard. Special 10-year warranty available on a job-to-job basis. Complete LED warranty terms available at www.mercltg.com.

Actual performance may differ as a result of end-user environment and application.

Most LED luminaires are suitable to operate in ambient temperatures from -20C (-4F) to 25C (77F).

The following exclusions apply: Luminaires with optional standby lighting option, integral lighting controls options, or wireless control options. Consult factory.

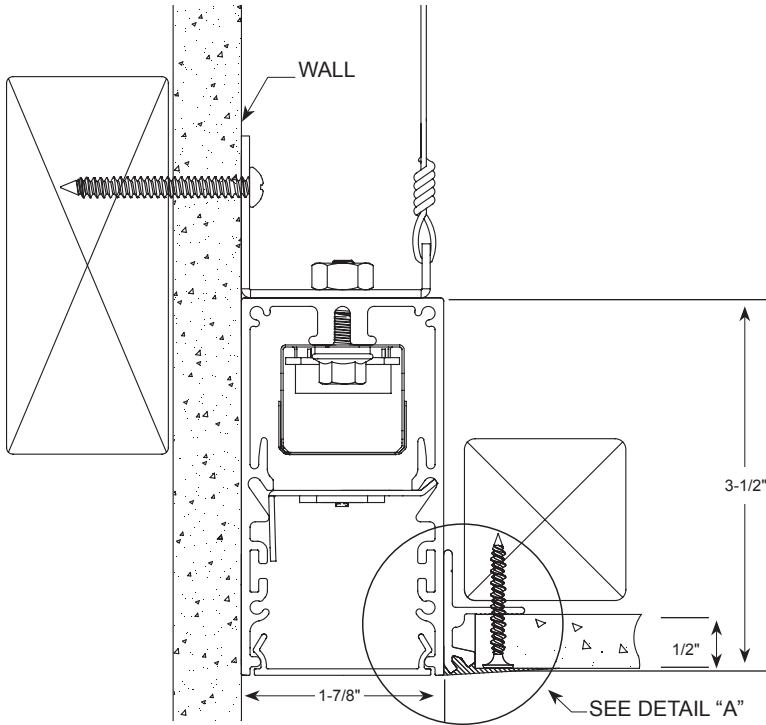
LM-79 testing was measured under a controlled 25C (77F) ambient operating temperature.



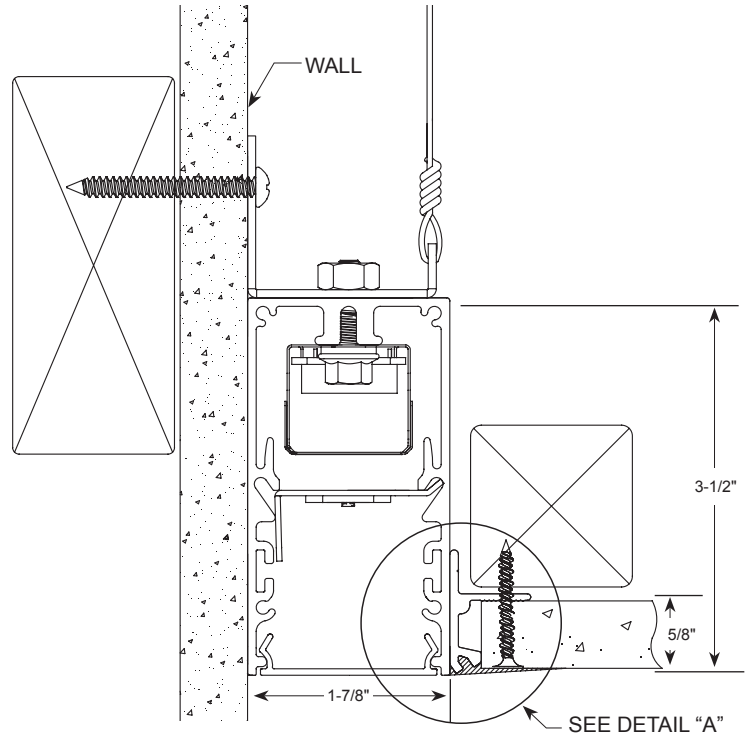
MLS2-WMR Series | LIGHTSTREAMS 2

Architectural Linear LED Illuminating System | Wall Mounted Recessed Linear System Mounts Flush with Various Ceiling Types

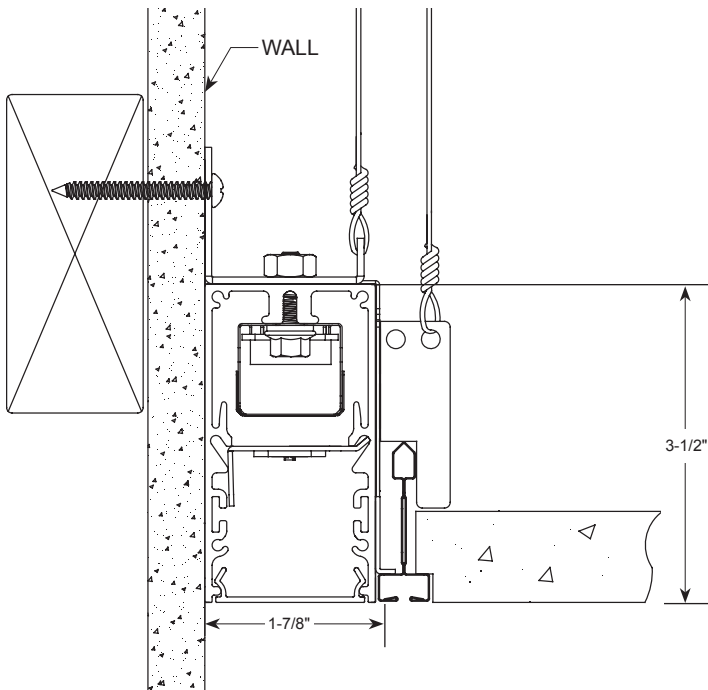
Dimensional Data



**TRIMLESS FIT
FOR 1/2" DRYWALL**



**TRIMLESS FIT
FOR 5/8" DRYWALL**



9/16 SCREW-SLOT

