

IMPORTANT INSTALLATION NOTES:

- FIXTURE TO BE INSTALLED IN ACCORDANCE WITH ALL APPLICABLE CODES BY A QUALIFIED ELECTRICIAN OR OTHER PERSON FAMILIAR WITH THE CONSTRUCTION AND OPERATION OF THIS PRODUCT AND THE HAZARDS INVOLVED.
- INSURE WALL HANGING RAIL IS LEVEL
- FIXTURES MUST BE HUNG PRIOR TO INSTALLATION OF CEILING
- FIXTURES FABRICATED TO SIZE ACCORDING TO SUPPLIED DIMENSIONS AND ARE NOT ADJUSTABLE.
- HANG INDIVIDUAL OR START FIXTURE SECTIONS FIRST. TAKE CARE TO LEVEL THE FIXTURE AT THIS POINT, ESPECIALLY FOR CONTINUOUS RUNS.
- FOR CONTINUOUS RUNS, HANG EACH SUCCESSIVE SECTION USING THE JOINING AND ALIGNING HARDWARE PROVIDED WITH THE FIXTURES, AND LEVEL EACH SECTION WITH THE PREVIOUS ONE.
- WHEN INSTALLING PATTERNS START WITH CORNERS AND WORK OUTWARDS
- *****DO NOT ATTEMPT TO BOLT FIXTURES TOGETHER AND RAISE THE ASSEMBLED RUN AT ONE TIME. THIS WILL DAMAGE THE BRACKETRY AND PREVENT THE FIXTURES FROM JOINING TIGHTLY, AND WILL VOID THE FIXTURE WARRANTY!*****
- FOLLOW THE SAME PROCEDURE ABOVE TO INSTALL THE END UNIT.
- RECHECK ALL FIXTURES FOR LEVEL AND INSURE ALL JOINTS ARE TIGHT.
- IF SMALL GAPS OCCUR BETWEEN FIXTURE SECTIONS, APPLY A SMALL AMOUNT OF CAULK BETWEEN SECTIONS AND WIPE OFF EXCESS WITH A DAMP CLOTH.

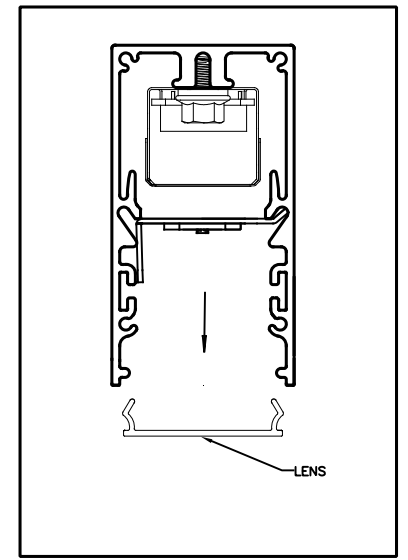
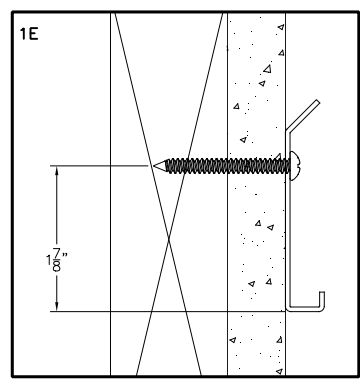
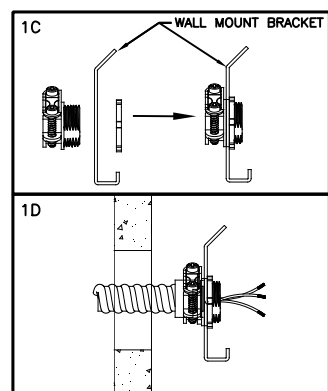
Project: **INSTALL INSTRUCTION**
MLS2/3 WALL MOUNT

Distributor:		Type:
By:	Date:	Scale:
Dwg. no.:	Rev.	Size: B

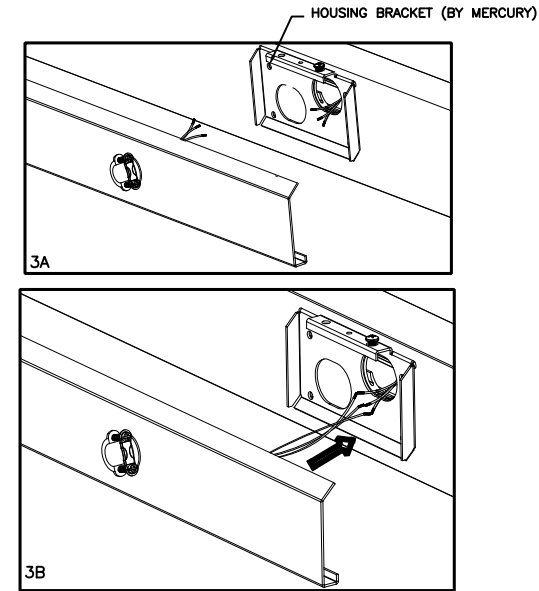


CATALOG NO:

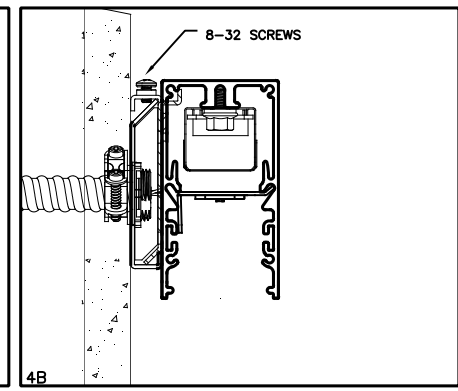
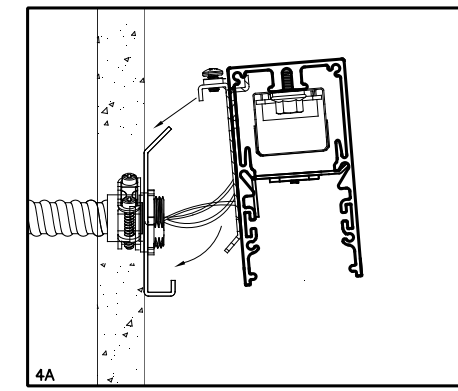
SHEET 1 OF 1



STEP 2:
-REMOVE LENS FROM EACH 'STARTER', 'MIDDLE' AND 'END' FIXTURES.
-MARK EACH LENS TO CORRESPONDING FIXTURE TO BE REINSTALLED IN STEP 7.



STEP 3:
3A-MAKE ELECTRICAL CONNECTION TO BUILDING SUPPLY.
3B-PUSH ALL WIRE CONNECTORS BACK INSIDE THE HOUSING.

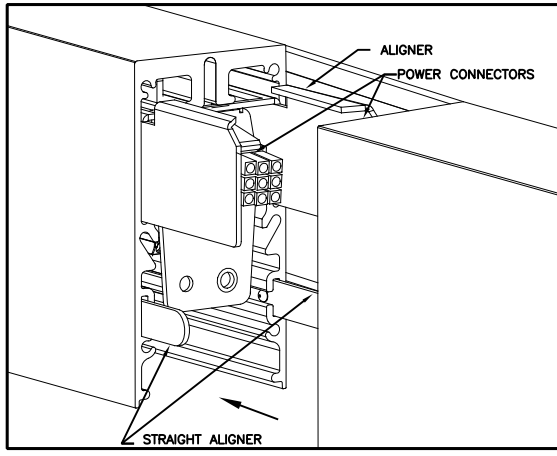
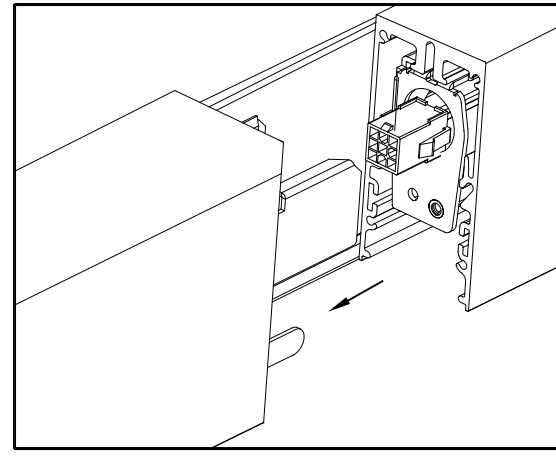


STEP 4:
HANGING THE FIXTURE:
4A-RAISE UP FIXTURE A FEW INCHES ABOVE THE WALL MOUNT BRACKET. PROCEED WITH DOWNWARD ROTATING MOTION, REST FIXTURE ON WALL MOUNT BRACKET.
4B-TIGHTEN 8-32 SCREWS ON HOUSING BRACKET UNTIL FIXTURE IS SECURED.

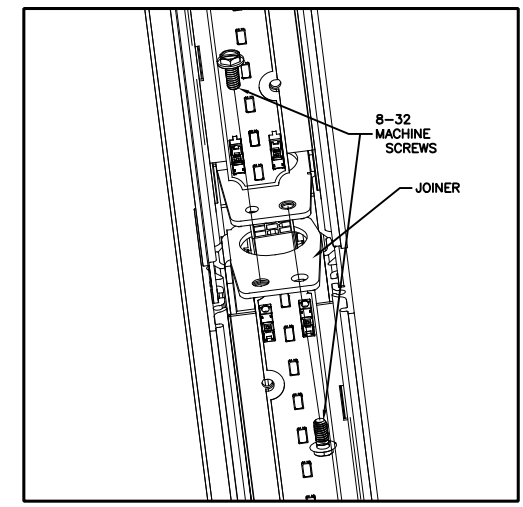
NOTE:
SECURE INDIVIDUALS AND STARTERS. FOR CONTINUOUS RUN DO NOT SECURE UNTIL ELECTRICAL CONNECTION AND JOINER HARDWARE IS SECURE. (VIEW STEP 5 AND 6.)

FOR MIDDLE AND END FIXTURES CONTINUE TO STEP 5 FOR INDIVIDUAL FIXTURES, INSTALLATION IS COMPLETED

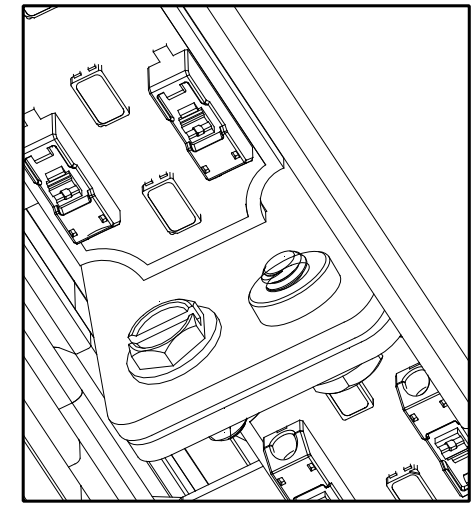
STEP 1:
1A-IDENTIFY ELECTRICAL CONNECTION ON FIXTURE (NOT SHOWN)
1B-LOCATE ELECTRICAL FEED POINT PER CUSTOMER DRAWING. (NOT SHOWN)
1C-PREPARE WALL BRACKET: INSTALL MC CABLE CONNECTOR TO WALL MOUNT BRACKET.
1D-SECURE CONDUIT TO CONNECTOR
1E-INSTALL 'WALL MOUNT BRACKET' AT CUSTOMER SPECIFIED HEIGHT. SEE 'WALL MOUNT FIXTURES' FOR REFERENCE DIMENSIONS. BLOCKING BY OTHERS. ADDITIONAL HOLE(S) FOR MOUNTING BRACKET TO WALL STUDS OR FOR INSTALLING MC CABLE CONNECTOR MAY BE ADDED BY CONTRACTOR.



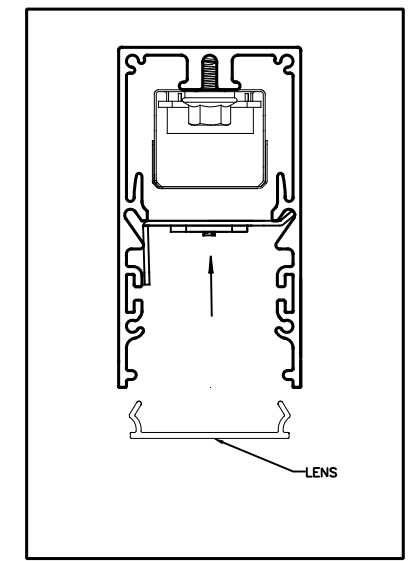
STEP 5:
-HANG THE MID/END FIXTURES AS SHOWN IN STEP 4.
-ALIGN FIXTURE USING ALIGNERS BY MERCURY
-CONNECT POWER CONNECTOR BETWEEN FIXTURES.



STEP 6
-PUSH EXCESS POWER CONNECTOR CABLES BACK INTO FIXTURE THROUGH JOINERS AS SHOWN FOR MLS-2 OR TO EITHER SIDE OF JOINER FOR MLS-3
-SECURE FIXTURES TOGETHER USING (2) 8-32 SCREWS ON JOINER (PROVIDED BY MERCURY)
-REPEAT STEP 4 & 5 AS NEEDED UNTIL 'END' MODULE IS INSTALLED.



COMPLETE JOINT ASSEMBLY
AFTER COMPLETE ASSEMBLY PLEASE REPEAT 4B.



STEP 7
-REINSTALL LENS REMOVED FROM STEP 2