



L501 SERIES

Enclosed and Gasketed Wet Location LED Luminaire

Fixture Type:

Job Information:

SPECIFICATIONS:

LED MODULES:

- High performance linear configured LED module boards.
- Each board consists of multiple mid-power, high efficacy LEDs in a precise layout eliminating the need for supplemental heat sinking.
- The boards produce an even and diffuse light which maximizes optical efficiency.
- Compatible with the dimming performance of the LED driver.
- Color temperatures available: 3500K, 4000K and 5000K.
- Upon request: 3000K.

LED DRIVERS:

- Factory programmable constant current LED power supply.
- Multiple standard drive current outputs (factory set by Mercury) are cataloged with their corresponding lumen package offerings. Upon request, custom drive current outputs and lumen packages are available.
- Note: Certain cataloged lumen packages may be provided with a non-programmable constant current LED power supply at Mercury's discretion. Contact factory if critical.
- Universal voltage input, 120V-277V, 50HZ-60HZ.
- Specification grade dimming down to 1% on 0-10V dimming controls.

LED LUMEN PACKAGES:

- Cataloged standard lumen packages. See attached chart for full details.
- Custom lumen packages pre-set are optional with programmable drivers only. Contact factory for details.

HOUSING:

- Compression molded in one-piece of non-conductive, non-corrosive, and self-extinguishing 5V-A fiberglass.
- A poured continuous gasketing permanently bonds and fills perimeter channel where upon latching, the diffuser and housing form a liquid tight seal.
- Permanently finished in a pearl white color that never needs painting or refinishing.
- LED module boards are fastened to a heavy gauge aluminum wiring tray which is tethered to the housing.

DIFFUSERS:

- 100% impact modified, frosted, high transmission, acrylic lens.
- Optional unbreakable frosted polycarbonate upon demand. Not available on 8Ft. modules.
- Rounded linear ribbing for high LED performance.

LATCHING:

- Celcon/POM Plastic Latches with self-locking features to stay closed without hardware.
- Stainless steel latches (Marine Grade 316SS) - Optional.
- Tamperproof screws optional.

STANDBY LIGHTING OPTION:

- Self-contained module, 7W, 10W or 12W as specified.
- Battery backup upon loss of power.
- **Availability: 4Ft. module, maximum 5100 lumen output. 8Ft. module, maximum 9000 lumen output. See warranty below.**

INSTALLATIONS:

- Mount individually or in continuous runs.
- May be surface mounted or suspended.
- A 7/8" hole in each end for surface conduit entry and continuous feeds. Liquid tight plugs supplied. Weatherproof hubs supplied by others.
- Optional stainless steel "slide grip" style hanger brackets allow easy mounting without drilling housing. Two top-side embossments contain drill points for job site mounting options. Proper sealing will maintain wet location status.
- Cold storage application require polycarbonate lenses and stainless steel latches.

CERTIFICATE OF SAFETY COMPLIANCE

- Luminaire: UL and CUL listed 1598 and bears a UL wet location label.
- NSF International Certified.
- IP65 & IP66 Certified.
- NEMA 4X Certified.

WARRANTY:

- 5-year limited warranty is standard. Special 10-year warranty available on a job-to-job basis. Complete LED warranty terms available at www.mercltg.com.
- Actual performance may differ as a result of end-user environment and application.
- Luminaires are suitable to operate in ambient temperatures from -20C (-4F) to 25C (77F).
- **Luminaires with an optional standby module installed are suitable to operate in ambient temperatures from 0C (32F) to 25C (77F).**
- The following exclusions apply: Luminaires with integral lighting controls options, or wireless control options. Consult factory.
- LM-79 testing was measured under a controlled 25C (77F) ambient operating temperature.

FEATURES:

- Enclosed and gasketed linear ambient LED luminaire.
- UL listed for wet locations.
- Weather and chemical resistant, corrosion free, and impervious to vapors, dust, and moisture.
- Food handling and processing facilities, refrigerated storage, drug and chemical plants. Use in shower areas, parking garages, pedestrian and roadway tunnels, and outdoor public areas.
- 100% impact modified, frosted, high transmission, acrylic lens.
- Upon request, optional unbreakable frosted polycarbonate diffuser.
- Internal rounded linear ribbing allows maximum light transmission while eliminating pixilation and hot spots. Smooth outside surface resists dirt and bacterial growth and allows for easy cleaning.
- Nominal 2Ft., 4Ft., or 8Ft. long modules.
- Digital LED technology provides high efficacy and energy efficiency.
- Multiple power and light levels are offered as standard to allow meeting design and energy needs per application. Custom factory set levels available on request.
- Lumen maintenance; Reported L70 (hours) & L80 (hours) > 60,000.
- CRI greater than 80.
- Fixture lumens per watt ratios up to 156.
- American Made.



L501 SERIES

Example: L501-4-5100-35K-HTA-1%-UNI-HB

Series	Nominal Length (FT)	Nominal Lumens	Color Temp	Diffuser	Driver	Voltage	Options
L501	2 27-5/8" Length	2500	35K	HTA 100% impact modified, frosted, high transmission acrylic lens	1% 0-10V, 1% Dimming As Specified	UNI	TP Tamperproof Latches SSL Stainless Steel Latches (Marine Grade 316SS) HB Stainless Steel Hanger Bracket Set of 2.
	4 51-5/8" Length	3000	40K				
	8 100-3/16" Length	4200	50K	PF Polycarbonate Frosted Upon Request. Not Available 8Ft Module.			
		5100	30K Upon Request				
		7500					
		9300					
		15,000					
		18,600					
		XXXXX Custom Lumen Package. Contact Factory.					
				STANDBY MODULES EM7 EM10 EM12			

LUMEN PACKAGE

Series	Nominal Length (FT)	Nominal Lumen Package	Color	Fixture Power (W)	Diffuser	Delivered Lumens	Fixture LPW	Standby Modules
L501	2	2500	3000K	18.5	HTA	2431	131	-
		2500	3500K	18.5	HTA	2500	135	-
		2500	4000K	18.5	HTA	2581	140	-
		2500	5000K	18.5	HTA	2587	140	-
	4	3000	3000K	22.3	HTA	2874	129	-
		3000	3500K	22.3	HTA	2958	133	-
		3000	4000K	22.3	HTA	3054	137	-
		3000	5000K	22.3	HTA	3063	137	-

Series	Nominal Length (FT)	Nominal Lumen Package	Color	Fixture Power (W)	Diffuser	Delivered Lumens	Fixture LPW	Standby Modules
L501	4	4200	3000K	29.1	HTA	3695	136	✓
		4200	3500K	29.1	HTA	4075	140	✓
		4200	4000K	29.1	HTA	4207	145	✓
		4200	5000K	29.1	HTA	4211	145	✓
	8	5100	3000K	36.1	HTA	4808	133	✓
		5100	3500K	36.1	HTA	4946	137	✓
		5100	4000K	36.1	HTA	5105	141	✓
		5100	5000K	36.1	HTA	5116	142	✓
		7500	3000K	51.8	HTA	7083	137	-
		7500	3500K	51.8	HTA	7277	140	-
	16	7500	4000K	51.8	HTA	7511	145	-
		7500	5000K	51.8	HTA	7515	145	-
		9300	3000K	64.0	HTA	8812	138	-
		9300	3500K	64.0	HTA	9060	142	-
		9300	4000K	64.0	HTA	9351	146	-
		9300	5000K	64.0	HTA	9368	146	-

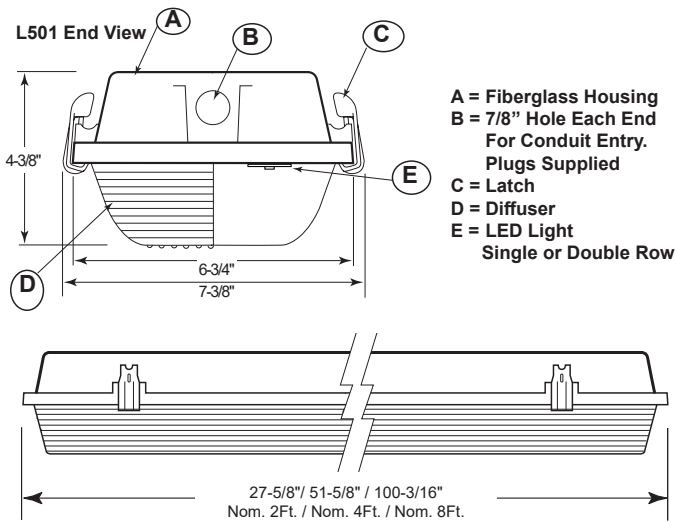
Series	Nominal Length (FT)	Nominal Lumen Package	Color	Fixture Power (W)	Diffuser	Delivered Lumens	Fixture LPW	Standby Modules	
L501	8	9000	3000K	58.1	HTA	8557	147	✓	
		9000	3500K	58.1	HTA	8777	151	✓	
		9000	4000K	58.1	HTA	9058	156	✓	
		9000	5000K	58.1	HTA	9058	156	✓	
	16	15,000	3000K	103.6	HTA	14,166	137	-	
		15,000	3500K	103.6	HTA	14,554	140	-	
		15,000	4000K	103.6	HTA	15,022	145	-	
		15,000	5000K	103.6	HTA	15,030	145	-	
		18	18,600	3000K	128	HTA	17,624	138	-
			18,600	3500K	128	HTA	18,120	142	-
			18,600	4000K	128	HTA	18,703	146	-
			18,600	5000K	128	HTA	18,736	146	-

Actual wattage may differ by +/- 5% when operating between 120V-277V +/- 10%.

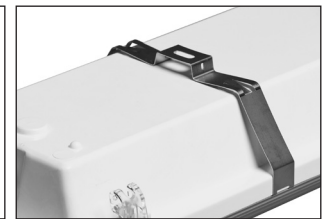
PHOTOMETRICS:

All photometric reports are available at www.mercltq.com.

DIMENSIONAL DATA/CROSS SECTION:



End Detail



HB-Stainless Steel Hanger Bracket

