

IMPORTANT INSTALLATION NOTES:

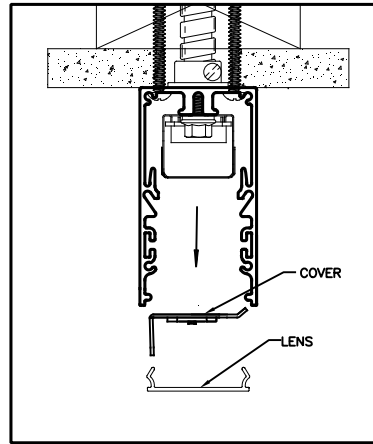
- FIXTURE TO BE INSTALLED IN ACCORDANCE WITH ALL APPLICABLE CODES BY A QUALIFIED ELECTRICIAN OR OTHER PERSON FAMILIAR WITH THE CONSTRUCTION AND OPERATION OF THIS PRODUCT AND THE HAZARDS INVOLVED.
- INSURE ALL BLOCKINGS ARE IN PLACE MATCHING MOUNTING LOCATIONS ON CUSTOMER DRAWING.
- MOUNT INDIVIDUAL OR START FIXTURE SECTIONS FIRST. THESE WILL HAVE MOUNTING SLOTS FOR SURFACE MOUNT. TAKE CARE TO LEVEL THE FIXTURE AT HIS POINT, ESPECIALLY FOR CONTINUOUS RUNS.
- FOR CONTINUOUS RUNS, MOUNT EACH SUCCESSIVE SECTION USING ADDITIONAL MOUNTING SLOTS AND THE JOINING AND ALIGNING HARDWARE PROVIDED WITH THE FIXTURES, AND LEVEL EACH SECTION WITH THE PREVIOUS ONE.
- ***DO NOT ATTEMPT TO BOLT FIXTURES TOGETHER AND RAISE THE ASSEMBLY RUN AT ONE TIME. THIS WILL DAMAGE THE INTERNAL BRACKETRY AND PREVENT THE FIXTURES FROM JOINING TIGHTLY, AND WILL VOID THE FIXTURE WARRANTY!*****
- FOLLOW THE SAME PROCEDURE ABOVE TO INSTALL THE END UNIT.
- RECHECK ALL FIXTURES FOR LEVEL AND INSURE ALL JOINTS ARE TIGHT.
- IF SMALL GAPS OCCUR BETWEEN FIXTURE SECTIONS, APPLY A SMALL AMOUNT OF CAULK BETWEEN SECTIONS AND WIPE OFF EXCESS WITH A DAMP CLOTH.

Project: **MLS2/3-SURFACE**
INSTALLATION INSTRUCTION

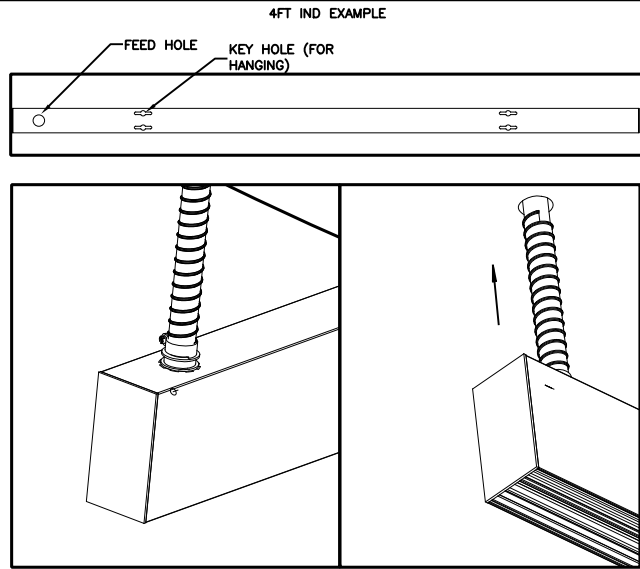
| | | |
|--------------|-------|-------------------|
| Distributor: | | Type: |
| By: | Date: | Scale: |
| Dwg. no.: | Rev. | Size: B |



CATALOG NO:

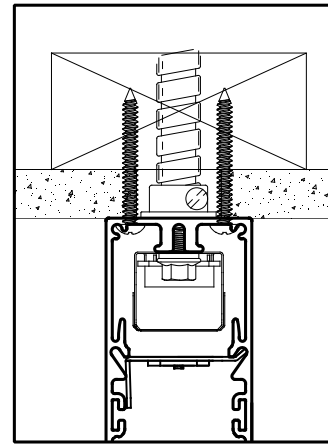


STEP 1:
-LOCATE ELECTRICAL FEED POINT AND MOUNTING LOCATIONS PER CUSTOMER DRAWING.
-PREPARE CEILING FOR ELECTRICAL FEED.
-REMOVE LENS AND LED COVER FROM FIXTURES.
-MARK ALL LENS AND LED COVERS TO CORRESPONDING FIXTURE. SET ASIDE. THEY ARE TO BE REINSTALLED IN STEP 7.

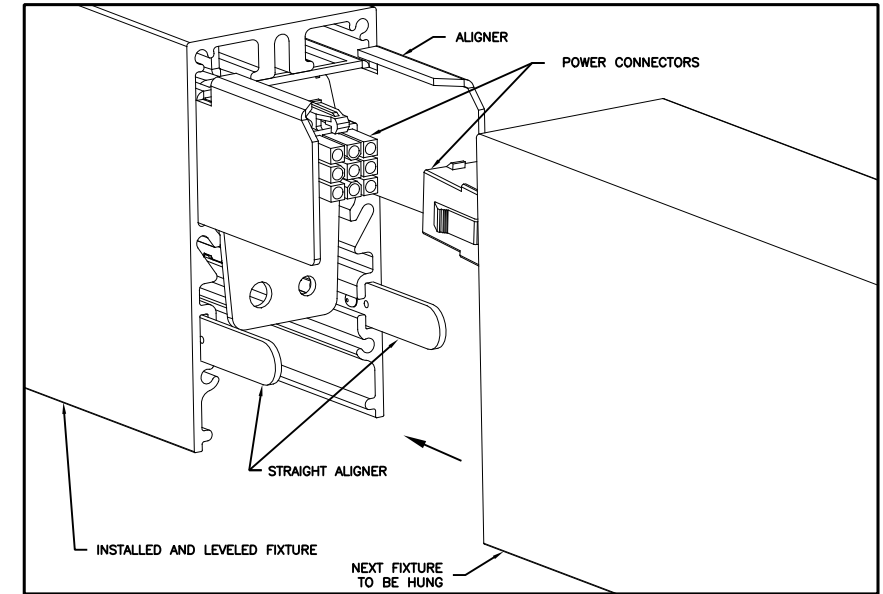


STEP 2:
-INSTALL CONDUIT TO FIXTURE
-RAISE FIXTURE UPTOWARDS CEILING

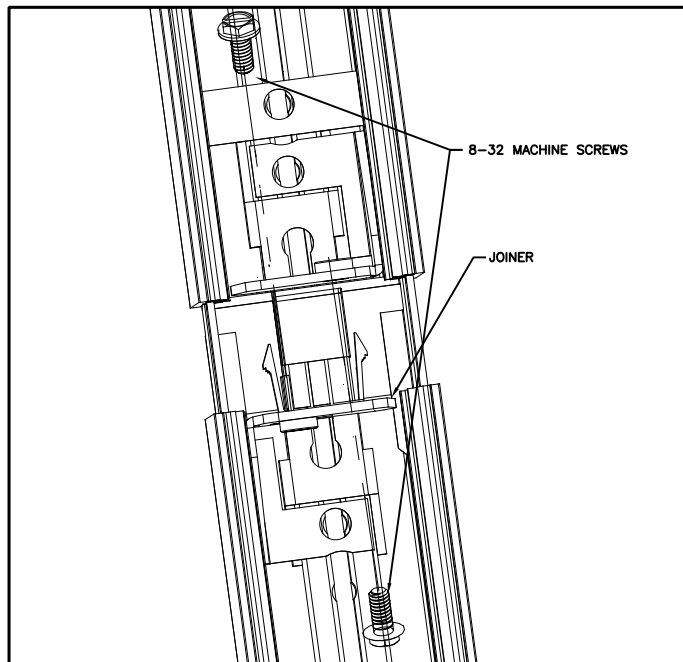
-DO NOT MAKE ELECTRICAL CONNECTION UNTIL ALL FIXTURES ARE MOUNTED.



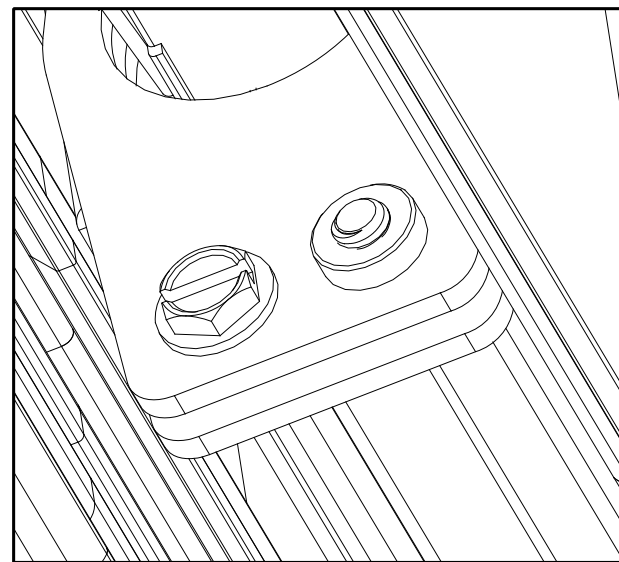
STEP 3:
-START WITH INDIVIDUAL/STARTER MODULES. SECURE FIXTURE TO BLOCKING ABOVE CEILING THROUGH KEYSLOTS ON HOUSING WITH FASTENERS (SUPPLIED BY OTHER)
-FOR INDIVIDUAL MODULE, GO TO STEP 6
-FOR 'MIDDLE' AND 'END' MODULE, CONTINUE TO NEXT STEP 4 AND 5.



STEP 4:
-ALIGN FIXTURE USING ALIGNERS BY MERCURY
-CONNECT POWER CONNECTOR BETWEEN FIXTURES.

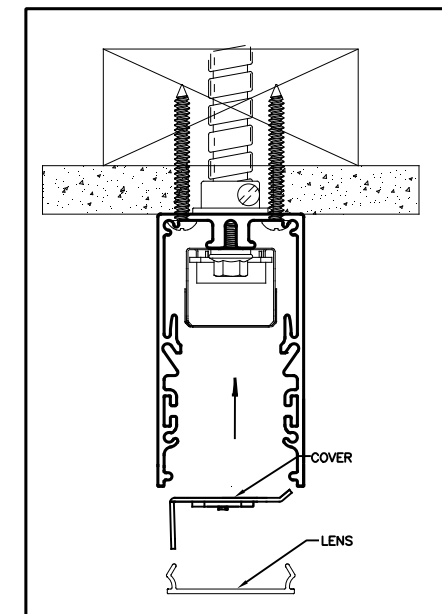


STEP 5
-PUSH EXCESS POWER CONNECTOR CABLES BACK INTO FIXTURE THROUGH JOINERS AS SHOWN FOR MLS-2 OR TO EITHER SIDE OF JOINER FOR MLS-3
-SECURE FIXTURES TOGETHER USING (2) 8-32 SCREWS ON JOINER (PROVIDE BY MERCURY).



COMPLETE JOINT ASSEMBLY

STEP 6
-MAKE ELECTRICAL CONNECTION TO BUILDING SUPPLY
*CAUTION- BUILDING POWER SHOULD BE OFF WHEN CONNECTION IS MADE TO FIXTURE.



STEP 7
-REINSTALL COVER AND LENS REMOVED FROM STEP 1

