

LIGHTSTREAMS

MLS3-DI SERIES ⚡ LIGHTNING PROGRAM

SUSPENDED DIRECT/INDIRECT

Architectural Linear LED Illuminating System | LIGHTSTREAMS 3



Standard Features:

- Dual directional illumination. Direct downlighting and indirect uplighting.
- Extruded aluminum housing for perfectly straight lines of light.
- Narrow 3-inch wide profile.
- Linear lengths; 2-ft. and above in increments of one-inch.
- Custom formulated high diffusion extruded acrylic lens.
- Non-glare matte-white polyester powder coating finish.
- Custom colors available.
- Cable mount from ceiling.
- Cataloged standard or custom set lumens-per-foot performances.
- 80 CRI standard. 90 CRI available.
- Continuous dimming capability down to 1% on 0-10V controls.
- Fixture lumens per watt ratios up to 135.
- Tunable white feature optional.
- Lighting controls and sensors.
- Standard and custom corners.
- American Made.
- A new extrusion with a shallower overall height of just 4-1/8".
- A new custom designed batwing-type indirect diffuser. Spreads light from the linear LED boards into two distinct side lobes. When projected onto the ceiling the results are a very consistent and wide spread of indirect illumination.
- New additional drop-down or pop-up diffuser options.
- Lightning Program eligible (ships in 15 days or less): See ordering data for options. ⚡

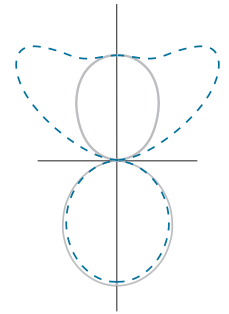


Performance

Based on 4Ft. Module, 3500K, 80 CRI, HTA Direct Diffuser, BW Indirect Diffuser-Signify LV6 LED Boards

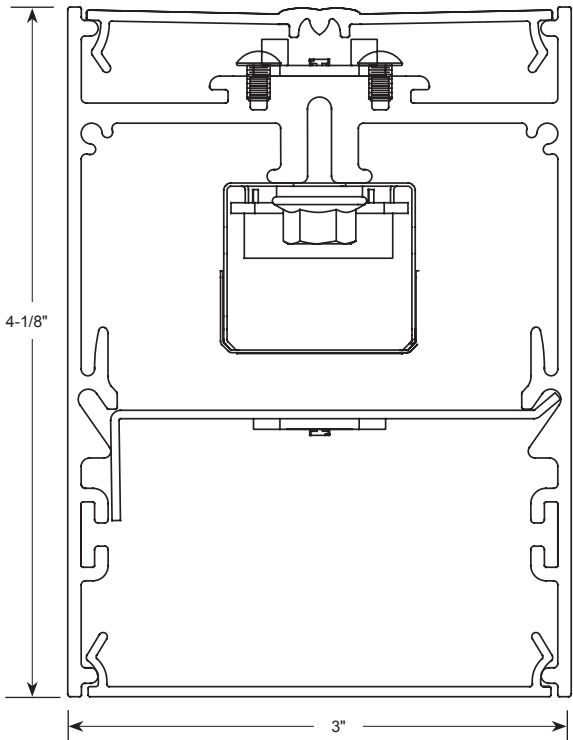
Direct Lumens Per Foot	Indirect Lumens Per Foot	Direct/Indirect %	Delivered Lumens Total (L)	System Watts (W)	Lumens Per Watt (LPW)
400	400	50/50	3200	23.9	134
	500	45/55	3600	26.9	134
	625	40/60	4100	30.4	135
	825	35/65	4900	36.7	133
	950	30/70	5400	40.3	134
	1200	25/75	6400	48.5	132
500	400	55/45	3600	27.2	132
	500	50/50	4000	30.2	132
	625	45/55	4500	33.7	134
	825	40/60	5300	40.0	133
	950	35/65	5800	43.6	133
	1200	30/70	6800	51.8	131
625	400	60/40	4100	31.5	130
	500	55/45	4500	34.5	130
	625	50/50	5000	38.0	132
	825	45/55	5800	44.3	131
	950	40/60	6300	47.9	132
	1200	35/65	7300	56.1	130
825	400	70/30	4900	38.8	126
	500	60/40	5300	41.8	127
	625	55/45	5800	45.3	128
	825	50/50	6600	51.6	128
	950	45/55	7100	55.2	129
	1200	40/60	8100	63.4	128
950	400	70/30	5400	43.4	124
	500	65/35	5800	46.4	125
	625	60/40	6300	49.9	126
	825	55/45	7100	56.2	126
	950	50/50	7600	59.8	127
	1200	45/55	8600	68.0	126
1100 MAX	400	70/30	6000	49.1	122
	500	65/35	6400	52.1	123
	625	60/40	6900	55.6	124
	825	55/45	7700	61.9	124
	950	50/50	8200	65.5	125
	1200	45/55	9200	73.7	125

Multiplier for other Color Temp (K)
 3000K 97% 4000K 102%
 3500K 100% 5000K 103%



Actual performance may differ by +/- 5% when operating between 120V-277V +/- 10%. Consult Factory for 90 CRI performances.

For ASO Performance Table see Page 4.



Fixture Type: Job Information:

MLS3-DI Series | LIGHTSTREAMS 3

Architectural Linear LED Illuminating System | Suspended Direct/Indirect

Ex: MLS3-DI-144-825-950 -35K-HTA-BW-1%-2C-U-EM12-S1

Options

Series	Mounting	Module or Row Length	Lumens/ Ft Direct	Lumens/ Ft Indirect	Color Temp	Diffuser/ Direct	Diffuser/ Indirect	Driver	Circuiting	Voltage	Standby Modules*	Lighting Controls
MLS3 LightStreams 3 LP-MLS3 Lightning Program	DI Direct/ Indirect Suspended	48 48" Length	400 500 625 825 950 1100	400 500 625 825 950 1200	30K 35K 40K 50K Upon Request	HTA High Transmission Acrylic	BW Batwing Indirect	1% 0-10V 1% Dimming	1C Single Circuit	U Uni 120V-277V	EM7 EM10 EM12	S1 Philips EasySense (Bluetooth)
		96 96" Length	HTA 625 825 950 1100	BW 625 825 950 1200	80 CRI 50K Upon Request	ASO Flat	A05 1/2" Pop-Up	1% DD 0-10% Dimming	2C Dual Circuit Direct/ Indirect	1 120V	No Option	S11 Enlighted Micro (SU5ECL)
		144 144" Length			90 CRI TW 27K-65K	A05 1/2" Drop	A10 1" Pop-Up	Dim to Dark		7 277V		S12 Lutron Athena Node (Color-White)
		Custom or Row Length. 24" and above in 1" increments. Ex. in inches: 82, 384, etc.	Custom Lumen Packages. Lumen Packages with ASO diffuser. Contact Factory.	Custom Lumen Packages. Lumen Packages with ASO diffuser. Contact Factory.	927K 930K 935K 940K	A10 1" Drop	A15 1-1/2" Pop-Up	SR Sensor Ready (Required for Certain Controls, Contact Factory)		X As Specified	Custom Paint Colors As Specified	S13 Lutron Athena Node (Color-Black)
						A15 1-1/2" Drop		eL eldoLED Solo 0.1%				S14 Lutron Athena Sensor (Color-White)
								LDE1 Lutron Hi-Lume				S15 Lutron Athena Sensor (Color-Black)
								As Specified				017 Leviton PIR ZLS05-ILW
												No Option

 All options highlighted in BLUE are eligible for [Lightning Program](#) (same quality product, shipped in 15 days or less)

*Available in modules of 4-ft. and longer.

Housings

Extruded aluminum profile in a 0.080-inch wall thickness.

Maximum length of each linear component is 12-ft.

.060 aluminum ends are provided where needed at row termini.

A one-piece 14GA galvanized steel joiner/aligner bracket is provided for each joint between housings.

Internal cold-rolled steel components.

Inconspicuous cable hanging brackets at the ends.

A custom formulated non-glare matte-white polyester powder coating provides an extremely durable and long-lasting finish.

Custom color finishes on request.

Diffusers

Seamless fit diffusers. Flawless and consistent end-to-end fit.

Standard direct diffuser: extruded from custom formulated high transmission white acrylic material. Allows maximum light transmission while eliminating pixilation and hot spots.

Optional direct diffuser: extruded from acrylic smooth opal material. Offers a more esthetically white appearance. Note: reduces performance by up to 25%.

Smooth finish on both diffusers compliments the architectural elements.

Standard indirect diffuser: custom extruded batwing-type that spreads the light in a very consistent and wide beam of illumination.

Additional options: 1/2", 3/4" and 1-1/2" drop style diffusers may be added to the direct position. May also be added to the indirect position as a pop-up diffuser.

LED Modules

High performance linear configured LED module boards.

Each board consists of multiple mid-power, high efficacy LEDs in a precise layout eliminating the need for supplemental heat sinking.

The boards produce an even and diffuse light which maximizes optical efficiency.

Compatible with the dimming performance of the LED driver.

Color temperatures available 80 CRI: 3000K, 3500K and 4000K. Upon request: 5000K.

Color temperatures available 90 CRI: 2700K, 3000K, 3500K and 4000K.

Tunable White Option

Field tunable range 2700K through 600K. 80CRI.

LED Drivers

Factory programmable constant current LED power supply.

Multiple standard drive current outputs (factory set by Mercury) are cataloged with their corresponding lumens-per-foot offering. Upon request, custom drive current outputs and lumens-per-foot options are available.

Note: Certain cataloged lumens-per-foot offerings may be provided with a non-programmable constant current LED power supply at Mercury's discretion. Contact factory if critical.

Universal voltage input, 120V-277V, 50HZ-60HZ.

Continuous dimming capability down to 1%-standard.

0.1% available upon request.

Dim to Dark option available upon request.

Sensor ready (SR) drivers compatible with most lighting controls are optional. Consult factory.

Lutron driver available: LDE1 series.

Standby Lighting Options

Self contained module, 7W, 10W or 12W as specified. Battery backup upon loss of power. Available in modules of 4-ft. and longer.

Integral Lighting Controls

Various lighting controls and sensors are optional. Consult factory.

Lightning Program

Same quality product, shipped in 15 days or less (if drawings are required, 15 days or less starts after drawings are released).

Entire order must qualify for [Lightning Program](#) in order to meet freight charges. Please contact our sales team if unsure your order will qualify.

Options highlighted in Blue, 500 linear feet or less, are eligible for quick ship [Lightning Program](#).

Relates to straight runs ONLY.

Other variations not highlighted in blue may be available

under [Lightning Program](#).

Please consult factory.

Specify [LP-MLS3](#) when placing order if you would like to use [Lightning Program](#).

Corners

Standard 90-degree corners.

Custom angled corners.

Installations

Designed to be suspended on cables.

Easy-connect cable hangers make installations easy. Lengths of 12-ft. and less to use one housing with two ends pre-installed.

Lengths over 12-ft. will be engineered to job requirements using multiple housings with one end pre-installed at each row end.

Lengths over 12-ft. will include appropriate job required quick-connect plug-thru wire harnesses and housing joiners.

All individual modules or multiple module runs to include job required feed wire as specified.

Certificate of Safety Compliance and Listings

Luminaire: UL and CUL listed 1598 and bears their label. Suitable for damp locations.

Warranty

5-year limited warranty is standard. Special 10-year warranty available on a job-to-job basis. Complete LED warranty terms available at www.mercitg.com.

Actual performance may differ as a result of end-user environment and application.

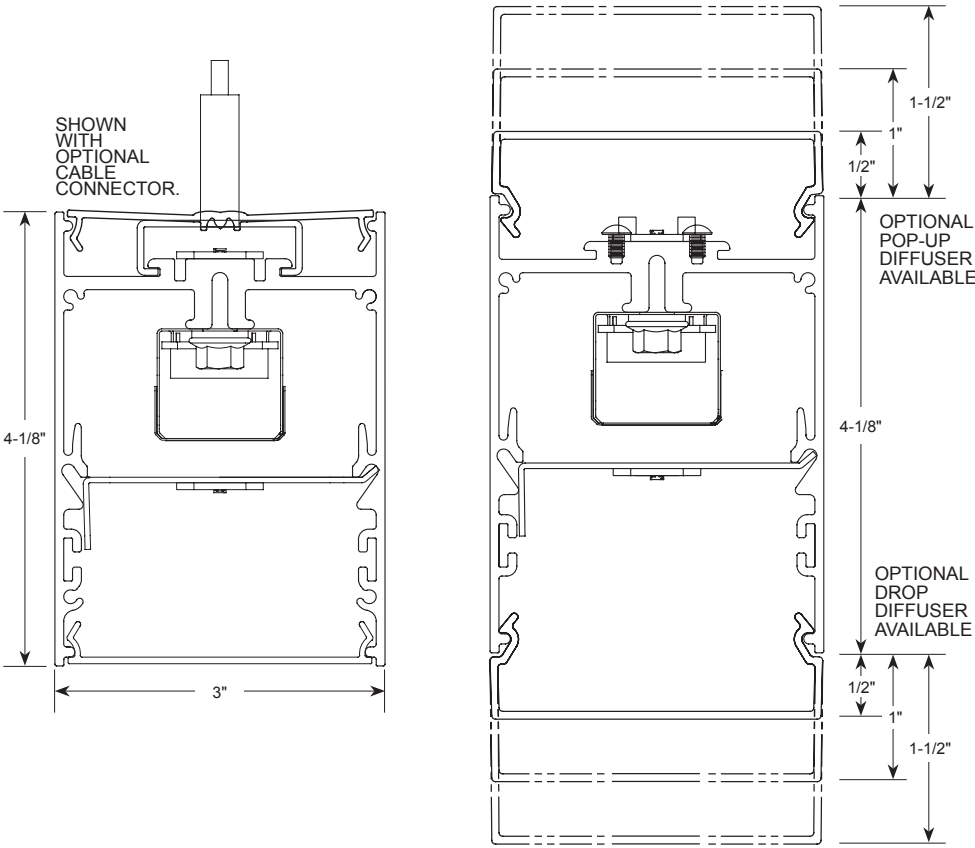
Most LED luminaires are suitable to operate in ambient temperatures from -20C (-4F) to 25C (77F).

The following exclusions apply: Luminaires with standby lighting option, integral lighting controls options, or wireless control options. Consult factory.

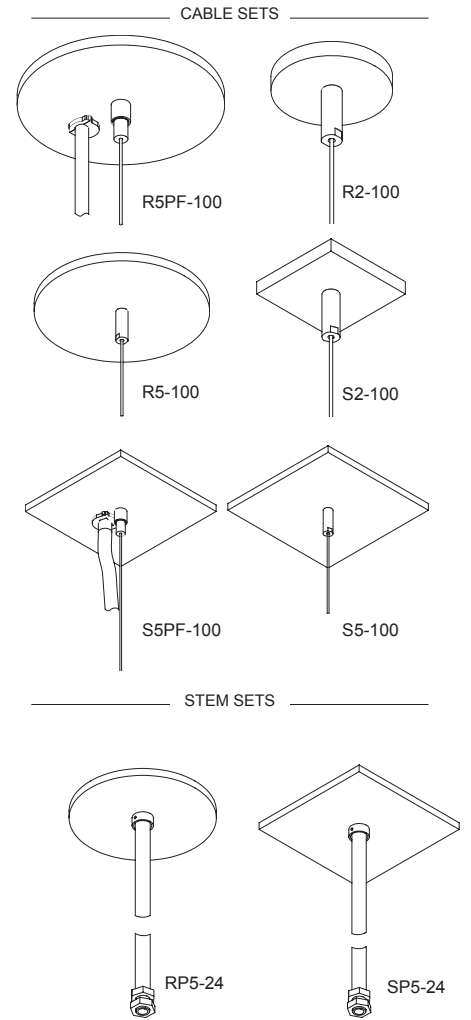
LM-79 testing was measured under a controlled 25C (77F) ambient operating temperature.



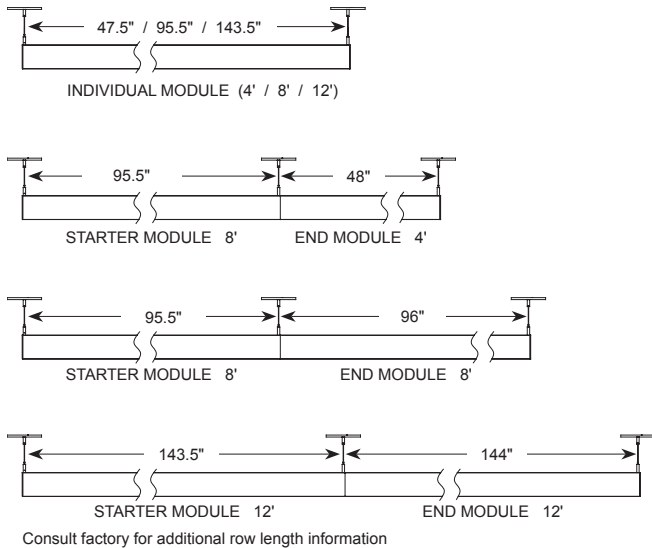
Dimensional Data



Hanging Accessories



Mounting Information



Part #	Description
R5PF-100	Round 5" power feed canopy, Hanging hardware, 100" long 1/16" cable.
R5-100	Round 5" canopy, Hanging hardware, 100" long 1/16" cable.
R2-100	Round 2" canopy, Hanging hardware, 100" long 1/16" cable.
S5PF-100	Square 5" power feed canopy, Hanging hardware, 100" long 1/16" cable.
S5-100	Square 5" canopy, Hanging hardware, 100" long 1/16" cable.
S2-100	Square 2" canopy, Hanging hardware, 100" long 1/16" cable.
RP5-24	Round 5" canopy, Hanging hardware, 24" long 1/2" dia. stem.
SP5-24	Square 5" canopy, Hanging hardware, 24" long 1/2" dia. stem.

Other cable and stem lengths available. Consult factory.



MLS3-DI Series | LIGHTSTREAMS 3

Architectural Linear LED Illuminating System | Suspended Direct/Indirect

Performance

Based on 4Ft. Module, 3500K, 80 CRI, ASO Direct Diffuser,
BW Indirect Diffuser- Signify LV6 LED Boards

Direct Lumens Per Foot	Indirect Lumens Per FT	Direct/ Indirect %	Delivered Lumens Total (L)	System Watts (W)	Lumens Per Watt (LPW)
400	400	50/50	3200	27.2	118
	500	45/55	3600	30.2	119
	625	40/60	4100	33.7	122
	825	35/65	4900	40.0	123
	950	30/70	5400	43.6	124
	1200	25/75	6400	51.8	124
500	400	55/45	3600	31.5	114
	500	50/50	4000	34.5	116
	625	45/55	4500	38.0	118
	825	40/60	5300	44.3	120
	950	35/65	5800	47.9	121
	1200	30/70	6800	56.1	121
625	400	60/40	4100	37.3	110
	500	55/45	4500	40.3	112
	625	50/50	5000	43.8	114
	825	45/55	5800	50.1	116
	950	40/60	6300	53.7	117
	1200	35/65	7300	61.9	118
825	400	70/30	5160	50.0	103
	500	65/35	5560	53.0	105
	625	60/40	6060	56.5	107
	825	50/50	6860	62.8	109
	950	45/55	7360	66.4	111
	1200	40/60	8360	74.6	112



Actual performance may differ by +/- 5% when operating between 120V-277V +/- 10%.
Consult Factory for 90 CRI performances.

