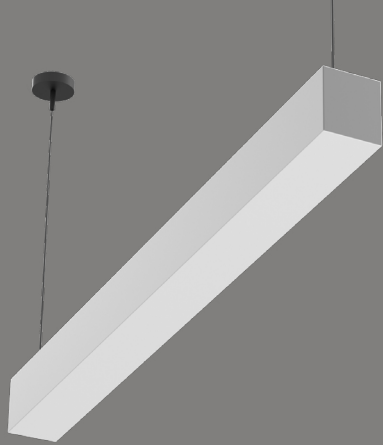


# LIGHTSTREAMS

## MLS2-I SERIES

## SUSPENDED INDIRECT

### Architectural Linear LED Illuminating System | LIGHTSTREAMS 2

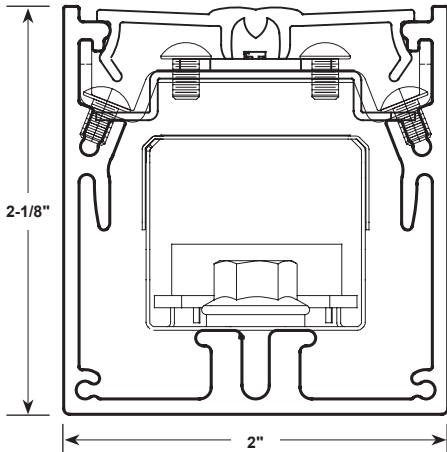


#### Standard Features:

- Indirect uplighting while being suspended from a ceiling.
- Extruded aluminum housing for perfectly straight lines of light.
- Narrow profile; 2-inch width.
- Linear lengths; 2-ft. and above in increments of one-inch.
- Non-glare matte-white polyester powder coating finish.
- Custom colors available.
- Cable mount from ceiling.
- Cataloged standard or custom set lumens-per-foot performances.
- 80 CRI standard. 90 CRI available.
- Continuous dimming capability down to 1% on 0-10V controls.
- Fixture lumens per watt ratios up to 133.
- Tunable white feature optional.
- Lighting controls and sensors.
- Standard and custom corners
- American Made.

#### Gen-2 Features:

- A new extrusion with a shallower overall height of just 2-1/8".
- A new custom designed batwing-type indirect diffuser. Spreads light from the linear LED boards into two distinct side lobes. When projected onto the ceiling the results are a very consistent and wide spread of illumination.



#### Performance

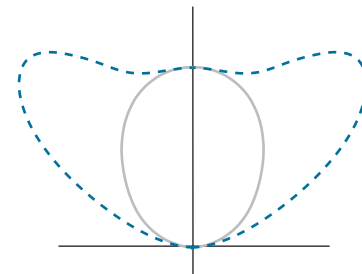
Based on 4Ft. Module, 3500K, 80 CRI, HTA diffuser

Lumens per Foot (LF)	Nominal Lumens (L)	Wattage (W)	Lumens per Watt (LPW)
400	1600	12	133
500	2000	15	133
625	2500	19	132
825	3300	27	122
900	3600	29	124
1200	4800	40	120

Actual performance may differ by +/- 5% when operating between 120V-277V +/- 10%. Consult Factory for 90 CRI performances.

#### Multiplier for other Color Temp (K)

3000K	97%
3500K	100%
4000K	102%
5000K	103%



Fixture Type:

Job Information:

# MLS2-I Series | LIGHTSTREAMS 2

Architectural Linear LED Illuminating System | Suspended Indirect

Ex: MLS2-I-144-825-35K-BW-1%-U-EM10-S1

Options										
SERIES	MOUNTING	MODULE OR ROW LENGTH	LUMENS/ FT	COLOR TEMP	DIFFUSER	DRIVER	VOLTAGE	STANDBY MODULES*	LIGHTING CONTROLS	CUSTOM PAINT COLORS
MLS2 LightStreams 2	I Indirect Suspended	48 48" Length  96 96" Length  144 144" Length  Custom or Row Length. 24" and above in 1" increments. Ex. in inches: 82, 384, etc.	400 500 625 825 900 1200  Custom Lumen Packages.	30K 35K 40K 50K Upon Request  TW 27K-65K  927K 930K 935K 940K	BW Batwing Indirect  As Specified	1% 0-10V 1% Dimming  SR Sensor Ready (Required for Certain Controls, Contact Factory)  LDE1 Lutron Hi-Lume  As Specified	U Uni 120V-277V  1 120V  7 277V  X As Specified	EM10 Advance BAC40EM (AC/DC DRIVER) W/10W Battery.  No Option	S1 Philips EasySense (SNS 210- Blue Tooth)  S11 Enlighted Micro (SU5ECL)  O8 Acuity/Sensor Switch (SFR7)  No Option	As Specified

\*Available in modules of 4-ft. and longer.

## Housings

Extruded aluminum profile in a 0.080-inch wall thickness. Maximum length of each linear component is 12-ft.

.060 aluminum ends are provided where needed at row termini.

A one-piece 14GA galvanized steel joiner/aligner bracket is provided for each joint between housings.

Internal cold-rolled steel components.

Inconspicuous cable hanging brackets at the ends.

A custom formulated non-glare matte-white polyester powder coating provides an extremely durable and long-lasting finish.

Custom color finishes on request.

## Diffusers

Seamless fit diffusers. Flawless and consistent end-to-end fit.

Standard indirect diffuser is a custom extruded batwing-type that spreads the light in a very consistent and wide beam of illumination.

Extruded from custom formulated high transmission acrylic material.

## LED Modules

High performance linear configured LED module boards.

Each board consists of multiple mid-power, high efficacy LEDs in a precise layout eliminating the need for supplemental heat sinking.

The boards produce an even and diffuse light which maximizes optical efficiency.

Compatible with the dimming performance of the LED driver.

Color temperatures available 80 CRI: 3000K, 3500K and 4000K. Upon request: 5000K.

Color temperatures available 90 CRI: 2700K, 3000K, 3500K and 4000K.

## Tunable White Option

Field tunable range 2700K through 6500K.

80CRI.

## LED Drivers

Factory programmable constant current LED power supply.

Multiple standard drive current outputs (factory set by Mercury) are cataloged with their corresponding lumens-per-foot offering. Upon request, custom drive current outputs and lumens-per-foot options are available.

Note: Certain cataloged lumens-per-foot offerings may be provided with a non-programmable constant current LED power supply at Mercury's discretion. Contact factory if critical.

Universal voltage input, 120V-277V, 50HZ-60HZ.

Specification grade continuous dimming capability down to 1% on 0-10V dimming controls.

Sensor ready (SR) drivers compatible with most lighting controls are optional. Consult factory.

Lutron driver available: LDE1 series.

## Standby Lighting Options

Combination LED driver/10W battery powers LED modules in standard AC mode or powers LED modules with 10 watts in DC mode upon loss of power. Available in modules 4-ft. and longer.

## Integral Lighting Controls

Various lighting controls and sensors are optional. Consult factory.

## Corners

Standard 90-degree corners.

Custom angled corners.

## Installations

Designed to be suspended on cables.

Easy-connect cable hangers make installations easy.

Lengths of 12-ft. and less to use one housing with two ends pre-installed.

Lengths over 12-ft. will be engineered to job requirements using multiple housings with one end pre-installed at each row end.

Lengths over 12-ft. will include appropriate job required quick-connect plug-thru wire harnesses and housing joiners.

All individual modules or multiple module runs to include job required feed wire as specified.

## Certificate of Safety Compliance and Listings

Luminaire: UL and CUL listed 1598 and bears their label. Suitable for damp locations.

## Warranty

5-year limited warranty is standard. Special 10-year warranty available on a job-to-job basis. Complete LED warranty terms available at [www.mercltg.com](http://www.mercltg.com).

Actual performance may differ as a result of end-user environment and application.

Most LED luminaires are suitable to operate in ambient temperatures from -20C (-4F) to 25C (77F).

The following exclusions apply: Luminaires with standby lighting option, integral lighting controls options, or wireless control options. Consult factory.

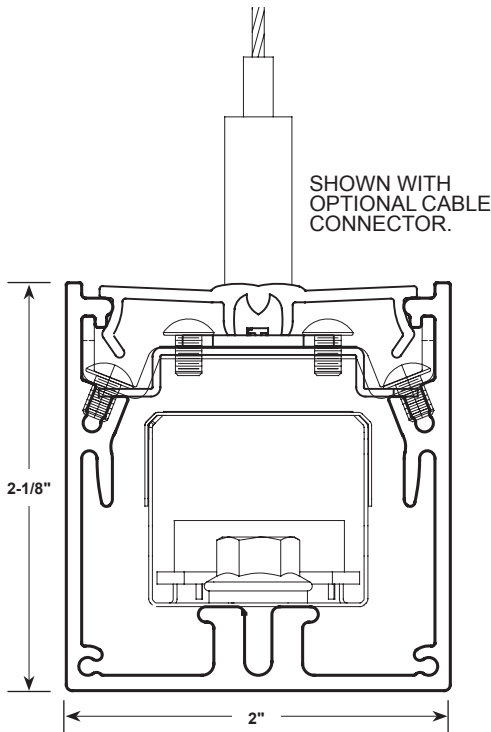
LM-79 testing was measured under a controlled 25C (77F) ambient operating temperature.



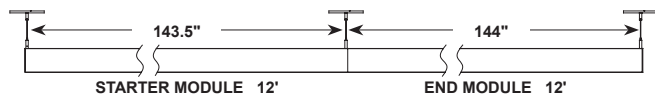
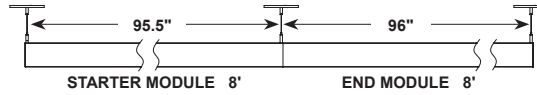
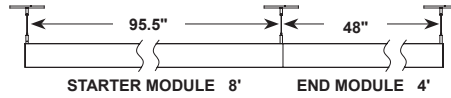
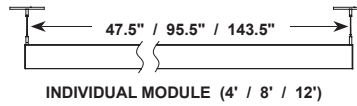
# MLS2-I Series | LIGHTSTREAMS 2

Architectural Linear LED Illuminating System | Suspended Indirect

## Dimensional Data

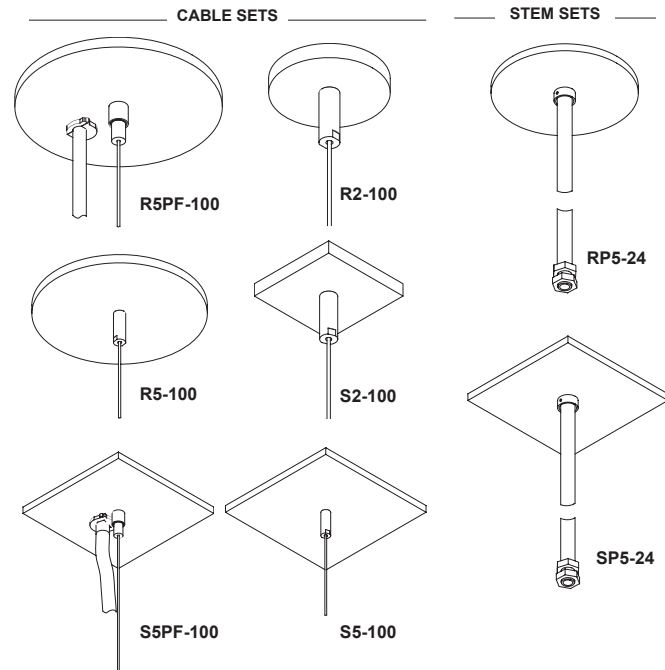


## Mounting Information



Consult factory for additional row length information

## Hanging Accessories



Part #	Description
R5PF-100	Round 5" power feed canopy, Hanging hardware, 100" long 1/16" cable.
R5-100	Round 5" canopy, Hanging hardware, 100" long 1/16" cable.
R2-100	Round 2" canopy, Hanging hardware, 100" long 1/16" cable.
S5PF-100	Square 5" power feed canopy, Hanging hardware, 100" long 1/16" cable.
S5-100	Square 5" canopy, Hanging hardware, 100" long 1/16" cable.
S2-100	Square 2" canopy, Hanging hardware, 100" long 1/16" cable.
RP5-24	Round 5" canopy, Hanging hardware, 24" long 1/2" dia. stem.
SP5-24	Square 5" canopy, Hanging hardware, 24" long 1/2" dia. stem.

Other cable and stem lengths available. Consult factory.

