

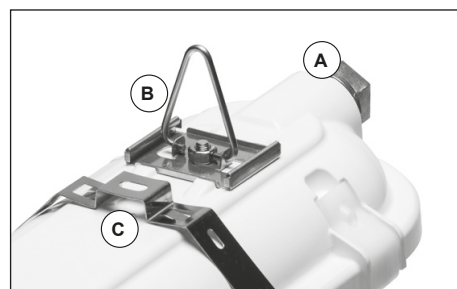
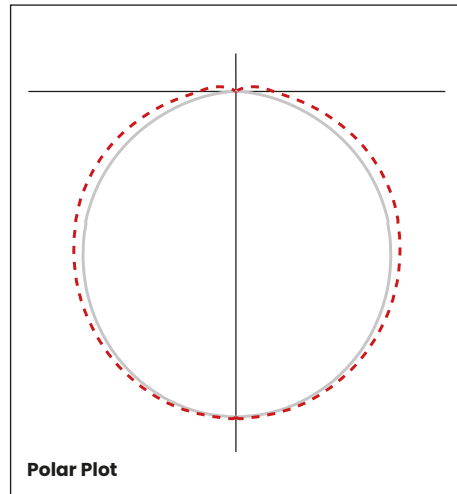
L701 SERIES

ENCLOSED AND GASKETED
WET LOCATION LED LUMINAIRE



FEATURES

- Enclosed and gasketed linear ambient LED luminaire.
- Weather and chemical resistant, corrosion free, and impervious to vapors, dust, and moisture.
- UL listed for wet locations.
- Food handling and processing facilities, refrigerated storage, drug and chemical plants. Use in shower areas, parking garages, pedestrian and roadway tunnels, and outdoor public areas.
- Inline thermoformed acrylic smooth white diffuser.
- Smooth outside surface resists dirt and bacterial growth and allows for easy cleaning.
- Nominal 2Ft, 4Ft. long modules.
- Digital LED technology provides high efficacy and energy efficiency.
- Multiple power and light levels are offered as standard to allow meeting design and energy needs per application. Custom factory set levels available on request.
- Lumen maintenance; Reported L70 (hours) & L80 (hours) > 60,000.
- CRI greater than 80.
- Fixture lumens per watt ratios up to 142.
- American Made.



- A = DCH** Die Cast Alum Hub
- B = HL** Fixed Hanging Loop & Bracket
- C = HB** Slide Grip Hanger Bracket



Fixture type:	Job information:

L701 SERIES

ENCLOSED AND GASKETED
WET LOCATION LED LUMINAIRE



PRODUCT DEFINITION SHEET

Ex: L501-4-5100-35K-HTA-1%-UNI-HB



1	2	3	4	5	6
SERIES	NOMINAL LENGHT (FT)	NOMINAL LUMENS	COLOR TEMP-CCT	DIFFUSER	DRIVER
<input type="checkbox"/> L701	<input type="checkbox"/> 2 25.64" Length <input type="checkbox"/> 4 47.14" Length	STANDARD DIMMABLE 25.64" L <input type="checkbox"/> 2300 <input type="checkbox"/> 2600 <input type="checkbox"/> 3400 47.14"L <input type="checkbox"/> 3400 <input type="checkbox"/> 4800 <input type="checkbox"/> 6500 <input type="checkbox"/> 7100	<input type="checkbox"/> 30K 3000K <input type="checkbox"/> 35K 3500K <input type="checkbox"/> 40K 4000K <input type="checkbox"/> 50K 5000K	<input type="checkbox"/> ASW Acrylic Smooth White	<input type="checkbox"/> 1 0-10V 1% Dimming <input type="checkbox"/> - As specified

7	8
VOLTAGE	OPTIONS
<input type="checkbox"/> U Uni 100-277V	<input type="checkbox"/> TP Tamperproof Latches <input type="checkbox"/> SSL Stainless Steel Latches <input type="checkbox"/> HB Stainless Steel Slide Grip Hanger Bracket. Set of 2. <input type="checkbox"/> HL Fixed Hanging Loop & Bracket. Set of 2. <input type="checkbox"/> SMB Stainless Steel Fixed Surface Mount Bracket. Set of 2. <input type="checkbox"/> DCH Die Cast Aluminum 7/8" Hub for Rigid 1/2" Conduit.

L701 SERIES

ENCLOSED AND GASKETED
WET LOCATION LED LUMINAIRE

LUMEN PACKAGE 2FT

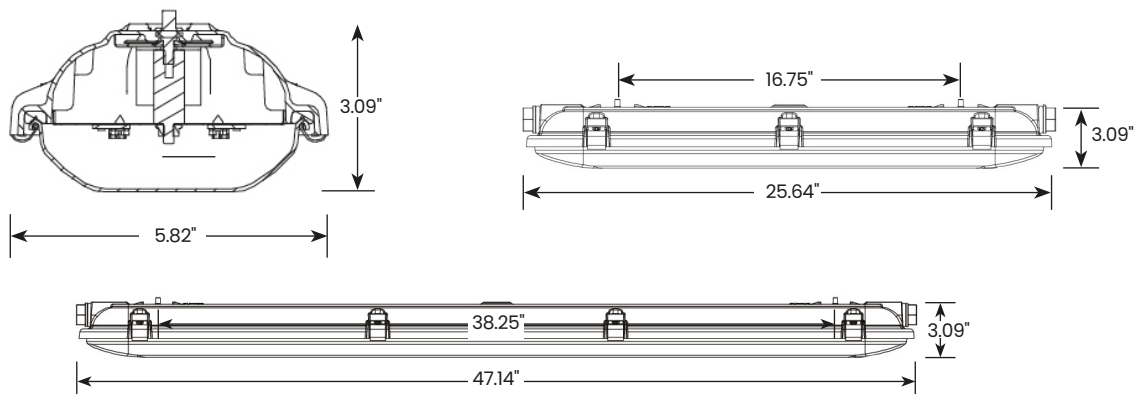
Nominal Lumen Package	Color	Fixture Power (w)	Diffuser	Delivered Lumens	Fixture LPW
2300	3000K	18.1	ASW	2205	122
2300	3500K	18.1	ASW	2268	125
2300	4000K	18.1	ASW	2341	129
2300	5000K	18.1	ASW	2346	130
2600	3000K	20.9	ASW	2502	120
2600	3500K	20.9	ASW	2575	123
2600	4000K	20.9	ASW	2657	127
2600	5000K	20.9	ASW	2665	128
3400	3000K	27.8	ASW	3322	119
3400	3500K	27.8	ASW	3319	119
3400	4000K	27.8	ASW	3426	123
3400	5000K	27.8	ASW	3442	124

LUMEN PACKAGE 4FT

Nominal Lumen Package	Color	Fixture Power (w)	Diffuser	Delivered Lumens	Fixture LPW
3400	3000K	25.6	ASW	3242	127
3400	3500K	25.6	ASW	3331	130
3400	4000K	25.6	ASW	3416	133
3400	5000K	25.6	ASW	3440	134
4800	3000K	38.0	ASW	4559	120
4800	3500K	38.0	ASW	4690	123
4800	4000K	38.0	ASW	4841	127
4800	5000K	38.0	ASW	4853	128
6500	3000K	47.0	ASW	6073	129
6500	3500K	47.0	ASW	6415	136
6500	4000K	47.0	ASW	6507	138
6500	5000K	47.0	ASW	6662	142
7100	3000K	51.5	ASW	6831	133
7100	3500K	51.5	ASW	6996	136
7100	4000K	51.5	ASW	7095	138
7100	5000K	51.5	ASW	7265	141

Actual wattage may differ by +/- 5% when operating between 120V-277V +/- 10%.

DIMENSIONAL DATA/CROSS SECTIONS



L701 SERIES

ENCLOSED AND GASKETED WET LOCATION LED LUMINAIRE



LED MODULES

- High performance linear configured LED module boards.
- Each board consists of multiple mid-power, high efficacy LEDs in a precise layout eliminating the need for supplemental heat sinking.
- The boards produce an even and diffuse light which maximizes optical efficiency.
- Compatible with the dimming performance of the LED driver.
- Color temperatures available: 3000K, 3500K, 4000K and 5000K.

LED DRIVERS

- Factory programmable constant current LED power supply.
- Multiple standard drive current outputs (factory set by Mercury) are cataloged with their corresponding lumen package offerings. Upon request, custom drive current outputs and lumen packages are available.
- Note: Certain cataloged lumen packages may be provided with a non-programmable constant current LED power supply at Mercury's discretion. Contact factory if critical.
- Universal voltage input, 120V-277V, 50HZ-60HZ.
- Specification grade dimming down to 1% on 0-10V dimming controls.

LED LUMEN PACKAGES

- Cataloged standard lumen packages. See attached chart for full details.
- Custom lumen packages pre-set are optional with programmable drivers only. Contact factory for details.

HOUSING

- Compression molded from non-conductive, non-corrosive, and self-extinguishing fiberglass reinforced polyester compound.
- UL 5V flame rating (ASTM D635-74). F1 weatherability rating.
- A poured continuous gasketing permanently bonds and fills perimeter channel where upon latching, the diffuser and housing form a liquid tight seal.
- Permanently finished in a pearl white color that never needs painting or refinishing.
- LED module boards are fastened to a heavy gauge aluminum wiring tray which is tethered to the housing.

DIFFUSER

- Inline thermoformed low-profile diffuser from 50% DR acrylic material for added strength and resistance to breakage.
- Acrylic smooth white finish.

LATCHING:

- Unbreakable polycarbonate with self-locking feature to stay closed without hardware.
- Stainless steel latches optional.
- Tamperproof screws optional.

INSTALLATIONS

- Optional stainless steel slide-grip type mounting brackets can mount at any point along housing. Allows for surface or threaded rod suspension.
- Two 1/8-28 brass studs are molded into the housing back for attachment of two optional mounting brackets.
- Optional surface mount modular bracket or hanging loop.
- A 7/8" hole in each end for surface conduit entry and continuous feeds. Liquid tight plugs supplied.
- Weatherproof die-cast hubs are optional.

CERTIFICATE OF SAFETY COMPLIANCE AND LISTINGS

- Luminaire: UL and CUL listed 1598 and bears a UL wet location label.
- IP65 rated.
- Certified by NSF International.

WARRANTY

- 5-year limited warranty is standard. Special 10-year warranty available on a job-to-job basis. Complete LED warranty terms available at www.mercltg.com
- Actual performance may differ as a result of end-user environment and application.
- Most LED luminaires are suitable to operate in ambient temperatures from -20C (-4F) to 25C (77F).
- LM-79 testing was measured under a controlled 25C (77F) ambient operating temperature.

PHOTOMETRICS

- All photometrics reports are available at www.mercltg.com