

# L501 SERIES

ENCLOSED AND GASKETED  
WET LOCATION LED LUMINAIRE



End Detail  
(Acrylic Lens)



HB-Stainless Steel  
Hanger Bracket

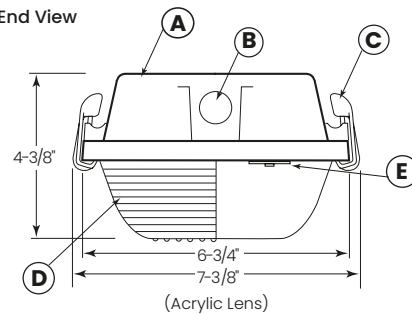
## FEATURES

- Enclosed and gasketed linear ambient LED luminaire.
- UL listed for wet locations.
- Weather and chemical resistant, corrosion free, and impervious to vapors, dust, and moisture.
- Food handling and processing facilities, refrigerated storage, drug and chemical plants. Use in shower areas, parking garages, pedestrian and roadway tunnels, and outdoor public areas.
- 100% impact modified, frosted, high, transmission, acrylic lens.
- Internal rounded linear ribbing allows maximum light transmission while eliminating pixilation and hot spots. Smooth outside surface resists dirt and bacterial growth and allows for easy cleaning.
- Nominal 2Ft., 4Ft., or 8Ft. long modules.
- Digital LED technology provides high efficacy and energy efficiency.
- Lumen maintenance; Reported L70 (hours) & L80 (hours) > 60,000.
- CRI greater than 80.
- Fixture lumens per watt ratios up to 156.
- American Made.

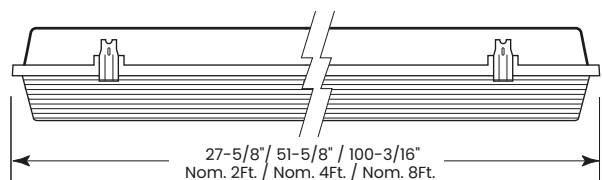


## DIMENSIONAL DATA/CROSS SECTIONS

L501 End View



- A = Fiberglass Housing
- B = 7/8" Hole Each End  
For Conduit Entry.  
Plugs Supplied
- C = Latch
- D = Diffuser
- E = LED Light  
Single or Double Row



Fixture type:	Job information:

# L501 SERIES

ENCLOSED AND GASKETED  
WET LOCATION LED LUMINAIRE



## PRODUCT DEFINITION SHEET

Ex: L501-4-50100-35K-HTA-1-U-HB-EM10



1	2	3	4	5	
SERIES	NOMINAL LENGTH	NOMINAL LUMENS		COLOR TEMP-CCT	DIFFUSER
<input type="checkbox"/> L501	<input type="checkbox"/> 2 27-5/8" Length  <input type="checkbox"/> 4 51-5/8" Length  <input type="checkbox"/> 8 100-3/16" Length	HTA 27-5/8"  <input type="checkbox"/> 2500  <input type="checkbox"/> 3500  51-5/8"  <input type="checkbox"/> 5000  <input type="checkbox"/> 6000  <input type="checkbox"/> 7600  <input type="checkbox"/> 9200  100-3/16"  <input type="checkbox"/> 9000  <input type="checkbox"/> 18,400  XXXX  Custom Lumen Package Contact Factory	PCSW 27-5/8"  <input type="checkbox"/> 3150  51-5/8"  <input type="checkbox"/> 8200  100-3/16"  <input type="checkbox"/> 16,400	<input type="checkbox"/> 30K 3000K  <input type="checkbox"/> 35K 3500K  <input type="checkbox"/> 40K 4000K  <input type="checkbox"/> 50K 5000K Upon Request	<input type="checkbox"/> HTA 100% impact modified, frosted, high transmission acrylic lens  <input type="checkbox"/> PCSW Polycarbonate Smooth White

6	7	8	9
DRIVER	VOLTAGE	OPTIONS	STANDBY MODULES
<input type="checkbox"/> 1 0-10V 1% Dimming  <input type="checkbox"/> - As specified	<input type="checkbox"/> U Uni 100-277V	<input type="checkbox"/> TP Tamperproof Latches  <input type="checkbox"/> SSL Stainless Steel Latches (Marine Grade 316SS)  <input type="checkbox"/> HB Stainless Steel Hanger Bracket Set of 2.	<input type="checkbox"/> EM10 Emergency Battery 10W  <input type="checkbox"/> EM12 Emergency Battery 12W  <input type="checkbox"/> NO OPTION

# L501 SERIES

ENCLOSED AND GASKETED  
WET LOCATION LED LUMINAIRE



## PERFORMANCE HTA DIFFUSER

NOMINAL LENGTH 2 FT							
Size	Nominal Lumen Package	Color	Fixture Power (W)	Diffuser	Delivered Lumens	Fixture LPW	Standby Modules
2 ft	2500	3000K	18	HTA	2400	133	-
2 ft	2500	3500K	18	HTA	2430	135	-
2 ft	2500	4000K	18	HTA	2500	139	-
2 ft	2500	5000K	18	HTA	2500	139	-
2 ft max.	3500	3000K	27	HTA	3430	127	-
2 ft max.	3500	3500K	27	HTA	3470	129	-
2 ft max.	3500	4000K	27	HTA	3570	132	-
2 ft max.	3500	5000K	27	HTA	3570	132	-

NOMINAL LENGTH 4 FT							
Size	Nominal Lumen Package	Color	Fixture Power (W)	Diffuser	Delivered Lumens	Fixture LPW	Standby Lighting Option
4 ft	5000	3000K	35	HTA	4800	137	✓
4 ft	5000	3500K	35	HTA	4850	139	✓
4 ft	5000	4000K	35	HTA	5000	143	✓
4 ft	5000	5000K	35	HTA	5000	143	✓
4 ft	6000	3000K	40	HTA	5850	146	✓
4 ft	6000	3500K	40	HTA	5915	148	✓
4 ft	6000	4000K	40	HTA	6090	152	✓
4 ft	6000	5000K	40	HTA	6090	152	✓
4 ft	7600	3000K	51	HTA	7300	143	-
4 ft	7600	3500K	51	HTA	7390	145	-
4 ft	7600	4000K	51	HTA	7600	149	-
4 ft	7600	5000K	51	HTA	7600	149	-
4 ft max.	9200	3000K	66	HTA	9120	138	-
4 ft max.	9200	3500K	66	HTA	9200	139	-
4 ft max.	9200	4000K	66	HTA	9450	143	-
4 ft max.	9200	5000K	66	HTA	9450	143	-

NOMINAL LENGTH 8 FT							
Size	Nominal Lumen Package	Color	Fixture Power (W)	Diffuser	Delivered Lumens	Fixture LPW	Standby Lighting Option
8 ft	9000	3000K	60	HTA	8920	149	✓
8 ft	9000	3500K	60	HTA	9000	150	✓
8 ft	9000	4000K	60	HTA	9280	155	✓
8 ft	9000	5000K	60	HTA	9280	155	✓
8 ft max.	18,400	3000K	132	HTA	18,240	138	-
8 ft max.	18,400	3500K	132	HTA	18,400	139	-
8 ft max.	18,400	4000K	132	HTA	18,900	143	-
8 ft max.	18,400	5000K	132	HTA	18,900	143	-

Actual wattage may differ by +/- 5% when operating between 120V-277V +/- 10%.

# L501 SERIES

ENCLOSED AND GASKETED  
WET LOCATION LED LUMINAIRE



## PERFORMANCE PCSW DIFFUSER

### NOMINAL LENGTH 2 FT

Size	Nominal Lumen Package	Color	Fixture Power (W)	Diffuser	Delivered Lumens	Fixture LPW	Standby Modules
2 ft	3150	3000K	30	PCSW	3045	102	-
2 ft	3150	3500K	30	PCSW	3080	103	-
2 ft	3150	4000K	30	PCSW	3150	105	-
2 ft	3150	5000K	30	PCSW	3150	105	-

### NOMINAL LENGTH 4 FT

Size	Nominal Lumen Package	Color	Fixture Power (W)	Diffuser	Delivered Lumens	Fixture LPW	Standby Modules
4 ft max	8200	3000K	66	PCSW	8090	123	-
4 ft max	8200	3500K	66	PCSW	8190	124	-
4 ft max	8200	4000K	66	PCSW	8430	128	-
4 ft max	8200	5000K	66	PCSW	8430	128	-

### NOMINAL LENGTH 8 FT

Size	Nominal Lumen Package	Color	Fixture Power (W)	Diffuser	Delivered Lumens	Fixture LPW	Standby Modules
8 ft max	16,400	3000K	132	PCSW	16,180	123	-
8 ft max	16,400	3500K	132	PCSW	16,380	124	-
8 ft max	16,400	4000K	132	PCSW	16,860	128	-
8 ft max	16,400	5000K	132	PCSW	16,860	128	-

Actual wattage may differ by +/- 5% when operating between 120V-277V +/- 10%.

# L501 SERIES

## ENCLOSED AND GASKETED WET LOCATION LED LUMINAIRE



### LED MODULES

- High performance linear configured LED module boards.
- Each board consists of multiple mid-power, high efficacy LEDs in a precise layout eliminating the need for supplemental heat sinking.
- The boards produce an even and diffuse light which maximizes optical efficiency.
- Compatible with the dimming performance of the LED driver.
- Color temperatures available: 3000K, 3500K and 4000K.
- Upon request: 5000K.

### LED DRIVERS

- Factory programmable constant current LED power supply.
- Multiple standard drive current outputs (factory set by Mercury) are cataloged with their corresponding lumen package offerings. Upon request, custom drive current outputs and lumen packages are available.
- Note: Certain cataloged lumen packages may be provided with a non-programmable constant current LED power supply at Mercury's discretion. Contact factory if critical.
- Universal voltage input, 120V-277V, 50HZ-60HZ
- Specification grade dimming down to 1% on 0-10V dimming controls.

### LED LUMEN PACKAGES

- Cataloged standard lumen packages. See attached chart for full details.
- Custom lumen packages pre-set are optional with programmable drivers only. Contact factory for details.

### HOUSING

- Compression molded in one-piece of non-conductive, non-corrosive, and self-extinguishing 5V-A fiberglass.
- A poured continuous gasketing permanently bonds and fills perimeter channel where upon latching, the diffuser and housing form a liquid tight seal.
- Permanently finished in a pearl white color that never needs painting or refinishing.
- LED module boards are fastened to a heavy gauge aluminum wiring tray which is tethered to the housing.

### DIFFUSER

- 100% impact modified, frosted, high, transmission, acrylic lens.
- Rounded linear ribbing for high LED performance.
- Polycarbonate Smooth White option.

### LATCHING:

- Celcon/POM Plastic Latches with self-locking features to stay closed without hardware.
- Stainless steel latches (Marine Grade 316SS) - Optional.
- Tamperproof screws optional.

### STANDBY LIGHTING OPTIONS

- Self-contained module, 10W or 12W as specified.
- Battery backup upon loss of power.
- Availability: 4FT. module, maximum 6000 lumen output. 8FT. module, maximum 9000 lumen output. See warranty below.

### INSTALLATIONS

- Mount individually or in continuous runs.
- May be surface mounted or suspended.
- A 7/8" hole in each end for surface conduit entry and continuous feeds. Liquid tight plugs supplied. Weather-proof hubs supplied by others.
- Optional stainless steel "slide grip" style hanger brackets allow easy mounting without drilling housing. Two top-side embossments contain drill points for job site mounting options. Proper sealing will maintain wet location status.
- Cold storage application require polycarbonate lenses and stainless steel latches.

### CERTIFICATE OF SAFETY COMPLIANCE AND LISTINGS

- Luminaire: UL and CUL listed 1598 and bears a UL wet location label.
- NSF International certified.
- IP65 & IP66 Certified.
- NEMA 4X Certified.

### WARRANTY

- 5-year limited warranty is standard. Special 10-year warranty available on a job-to-job basis. Complete LED warranty terms available at [www.mercltg.com](http://www.mercltg.com)
- Actual performance may differ as a result of end-user environment and application.
- Luminaires are suitable to operate in ambient temperatures from -20C (-4F) to 25C (77F).
- Luminaires with an optional standby module installed are suitable to operate in ambient temperatures from 0C (32F) to 25C (77F).
- The following exclusions apply: Luminaires with integral lighting controls options, or wireless control options. Consult factory.
- LM-79 testing was measured under a controlled 25C (77F) ambient operating temperature.

### PHOTOMETRICS

- All photometric reports are available at [www.mercltg.com](http://www.mercltg.com)