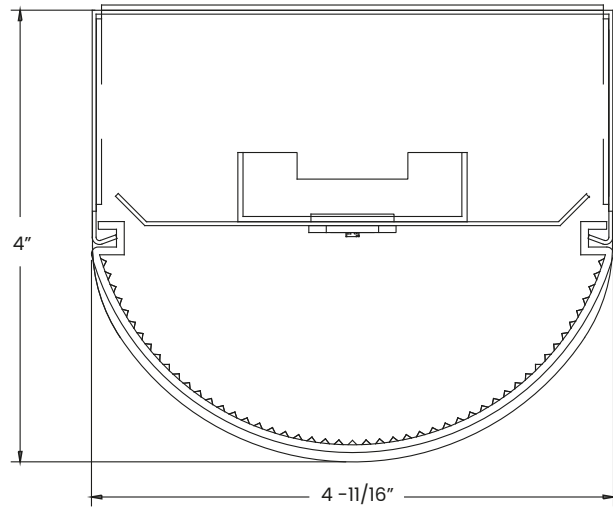




FEATURES

- Network Powered Lighting via smartengine by wtec.
- Tunable White feature via smartengine’s human centric smart lighting.
- Shallow form linear ambient LED luminaire.
- Larger-scale rounded profile acrylic diffuser evenly surrounds the LED light source enabling a very wide and near-perfect light distribution.
- Compact design complies with all ADA requirements for public areas.
- Custom formulated high diffusion acrylic material allows for maximum light transmission while eliminating pixilation and hot spots.
- Optional integral side reflectors add both function and architectural contour.
- Nominal 2Ft, 4Ft. or 8Ft. long modules.
- Digital LED technology provides high efficacy and energy efficiency.
- Multiple power and light levels are offered as standard to allow meeting design and energy needs per application. Custom factory set levels available on request.
- Lumen maintenance; Reported L70 (hours) & L80 (hours) > 60,000.
- CRI greater than 80.
- Fixture lumens per watt ratios up to 149.
- American Made.

CROSS SECTIONS



| | |
|----------------------|----------------------|
| Fixture type: | Job information: |
| <input type="text"/> | <input type="text"/> |



PRODUCT DEFINITION SHEET

Ex: LW14-4-500-3150/23W-1CH-35K-HTA



| 1 | 2 | 3 | 4 | 5 | 6 |
|--|--|--|--|--|--|
| SERIES | NOMINAL LENGHT | NOMINAL LUMENS | LUMEN OUTPUT | NUMBER OF CHANNELS | COLOR TEMP |
| <input type="checkbox"/> LW14 Architectural Linear Ambient LED Luminaire | <input type="checkbox"/> 4 45" Lenght <input type="checkbox"/> 8 96" Lenght | 45"L <input type="checkbox"/> 350 <input type="checkbox"/> 500 <input type="checkbox"/> 700 <input type="checkbox"/> 1000 <input type="checkbox"/> 1400 96"L <input type="checkbox"/> 500 <input type="checkbox"/> 700 <input type="checkbox"/> 1000 <input type="checkbox"/> 1400 XXXX Custom Lumen Package Contact Factory | 45"L <input type="checkbox"/> 2230L / 17W <input type="checkbox"/> 2230L / 17W <input type="checkbox"/> 4330L / 33W <input type="checkbox"/> 6300L / 46W <input type="checkbox"/> 8660L / 66W 96"L <input type="checkbox"/> 3210L / 22W <input type="checkbox"/> 4460L / 31W <input type="checkbox"/> 6300L / 46W <input type="checkbox"/> 8660L / 66W XXXX Custom Lumen Package Contact Factory | 45"L <input type="checkbox"/> 1 CH <input type="checkbox"/> 1 CH <input type="checkbox"/> 1 CH <input type="checkbox"/> 1 CH <input type="checkbox"/> 2 CH <input type="checkbox"/> 2 CH 96"L <input type="checkbox"/> 1 CH <input type="checkbox"/> 1 CH <input type="checkbox"/> 2 CH <input type="checkbox"/> 2 CH | <input type="checkbox"/> 30K <input type="checkbox"/> 35K <input type="checkbox"/> 40K <input type="checkbox"/> 50K Upon Request <input type="checkbox"/> TW 27K-65K |

| 7 | 8 |
|--|--|
| DIFFUSER | SIDE REFLECTORS |
| <input type="checkbox"/> HTA High Transmission Acrylic | <input type="checkbox"/> SR Symmetric Function Set of 2 Side Reflectors <input type="checkbox"/> AR Asymmetric Function 1 Side Reflector <input type="checkbox"/> SRA Symmetric Function Aperture Reflectors |



NOMINAL LENGHT 4FT

| Nominal Lumen Package | Color | Fixture Power (W) | Delivered Lumens | Fixture LPW |
|-----------------------|-------|-------------------|------------------|-------------|
| 2230 | 3000K | 17 | 2165 | 129 |
| 2230 | 3500K | 17 | 2232 | 133 |
| 2230 | 4000K | 17 | 2277 | 136 |
| 2230 | 5000K | 17 | 2299 | 137 |
| 3150 | 3000K | 23 | 3053 | 134 |
| 3150 | 3500K | 23 | 3147 | 139 |
| 3150 | 4000K | 23 | 3210 | 141 |
| 3150 | 5000K | 23 | 3241 | 143 |
| 4330 | 3000K | 33 | 4198 | 130 |
| 4330 | 3500K | 33 | 4328 | 134 |
| 4330 | 4000K | 33 | 4415 | 137 |
| 4330 | 5000K | 33 | 4458 | 138 |
| 6300 | 3000K | 46 | 6105 | 134 |
| 6300 | 3500K | 46 | 6294 | 139 |
| 6300 | 4000K | 46 | 6420 | 141 |
| 6300 | 5000K | 46 | 6483 | 143 |
| 8660 | 3000K | 66 | 8396 | 130 |
| 8660 | 3500K | 66 | 8656 | 134 |
| 8660 | 4000K | 66 | 8829 | 137 |
| 8660 | 5000K | 66 | 8916 | 138 |

NOMINAL LENGHT 8FT

| Nominal Lumen Package | Color | Fixture Power (W) | Delivered Lumens | Fixture LPW |
|-----------------------|-------|-------------------|------------------|-------------|
| 3210 | 3000K | 22 | 3114 | 142 |
| 3210 | 3500K | 22 | 3210 | 146 |
| 3210 | 4000K | 22 | 3274 | 149 |
| 3210 | 5000K | 22 | 3306 | 150 |
| 4460 | 3000K | 31 | 4430 | 140 |
| 4460 | 3500K | 31 | 4464 | 144 |
| 4460 | 4000K | 31 | 4553 | 147 |
| 4460 | 5000K | 31 | 4598 | 148 |
| 6300 | 3000K | 46 | 6105 | 134 |
| 6300 | 3500K | 46 | 6294 | 139 |
| 6300 | 4000K | 46 | 6420 | 141 |
| 6300 | 5000K | 46 | 6483 | 143 |
| 8660 | 3000K | 66 | 8396 | 130 |
| 8660 | 3500K | 66 | 8656 | 134 |
| 8660 | 4000K | 66 | 8829 | 137 |
| 8660 | 5000K | 66 | 8916 | 138 |

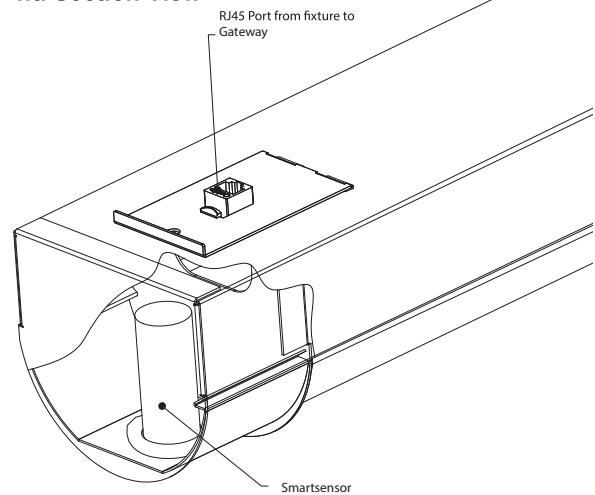
Actual wattage may differ by +/- 5% when operating between 120-277V +/- 10%

HANGING ACCESSORIES

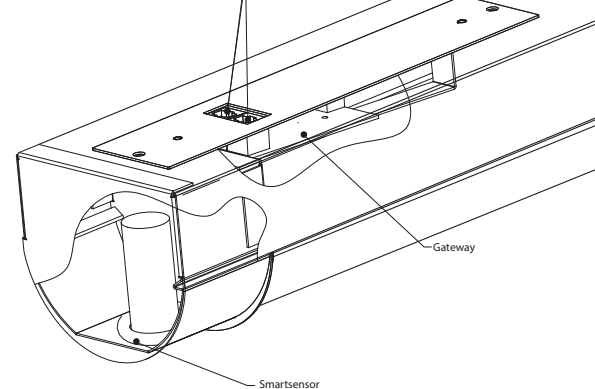
| PART # | DESCRIPTION |
|----------|---|
| R5PF-100 | Round 5" power feed canopy, Hanging hardware, 100" long 1/16" cable. |
| S5PF-100 | Square 5" power feed canopy, Hanging hardware, 100" long 1/16" cable. |
| R5-100 | Round 5" canopy, Hanging hardware, 100" long 1/16" cable. |
| R2-100 | Round 2" canopy, Hanging hardware, 100" long 1/16" cable. |
| S5-100 | Square 5" canopy, Hanging hardware, 100" long 1/16" cable. |
| S2-100 | Square 2" canopy, Hanging hardware, 100" long 1/16" cable. |
| VH-XX | "V" Hanger w/XX=48"L or 72"L Chain & "S" Hock |
| CPYS-1 | S-1 Single Stem 5" Dia. Canopy |
| STMXX | XX=12"L, 24"L, 48"L Stem/ 3/8" IPS-5/8" OD |

Other cable and stem lengths available. Consult factory.

4ft. Section View



8ft. Section View for Two Channels





LED MODULES

- High performance linear configured LED module boards.
- Each board consists of multiple mid-power, high efficacy LEDs in a precise layout eliminating the need for supplemental heat sinking.
- The boards produce an even and diffuse light which maximizes optical efficiency.
- Color temperatures available: 3000K, 3500K and 4000K.
- Upon request: 5000K.

SMARTENGINE

- Network Powered Lighting delivers 18-48V and 150-700mA to power control light fixtures from a central smartengine device.
- No driver, node or active component at the fixture level.
- Factory or field programmable for custom drive currents offering desired lumen-per-foot performance.
- Integrated smartsensor or an RJ45 whip for external smartsensor.
- Smartsensor provides temperature, motion, light level, energy consumption and optimal BLE.
- Each channel will require a home run back to the smart-engine.

EMERGENCY LIGHTING - OPTIONAL

- Smartengine is UL924 Listed.

TUNABLE WHITE OPTION

- Field tunable range 2700K through 6500K.
- 80CRI.

LED LUMEN PACKAGES

- Cataloged standard lumen packages. See attached chart for full details.
- Custom lumen packages pre-set are optional with programmable drivers only. Contact factory for details.

HOUSING

- Fabricated from heavy gauge code grade cold rolled steel with a white polyester powder coating finish for long lasting durability.
- Housing ends are welded into place.
- Sufficient electrical knockouts are provided on the housing back and ends.

REFLECTOR OPTIONS

- Side reflectors are factory installed or can be field installed to the housing.
- May be used individually for one-side asymmetric function or in pairs for dual-side symmetric function.
- Aperture option; a series of architectural apertures allows a segment of up lighting.

DIFFUSER

- Larger-scale rounded profile design.
- Extruded from custom formulated high transmission acrylic material.
- Linear ribbing for high LED performance.

INSTALLATIONS

- May be installed in any direction, individually or in continuous run applications.
- May be surface mounted or suspended.
- End knockouts for surface conduit entry.

CERTIFICATE OF SAFETY COMPLIANCE AND LISTINGS

- Luminaire: UL and CUL listed 1598 and bears their label. Suitable for damp locations.

WARRANTY

- 5-year limited warranty is standard. Special 10-year warranty available on a job-to-job basis. Complete LED warranty terms available at www.mercltg.com
- Actual performance may differ as a result of end-user environment and application.
- Most LED luminaires are suitable to operate in ambient temperatures from -20C (-4F) to 25C (77F).
- The following exclusions apply: Luminaires with standby lighting option, integral lighting controls options, or wireless control options. Consult factory.
- LM-79 testing was measured under a controlled 25C (77F) ambient operating temperature.

PHOTOMETRICS

- All photometrics reports are available at www.mercltg.com