

LW14 PoE SERIES

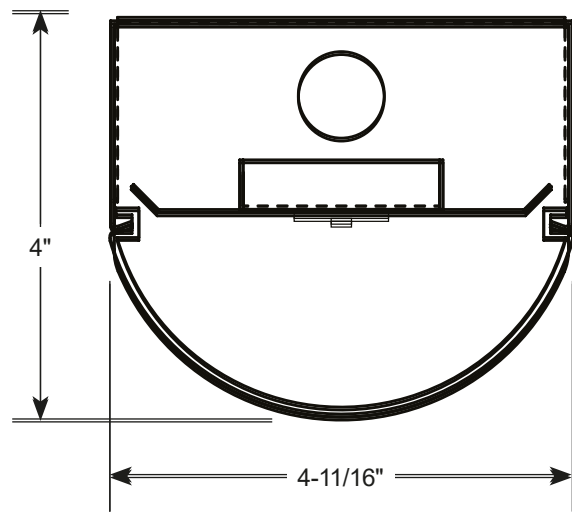
ARCHITECTURAL LINEAR
AMBIENT LED LUMINAIRE



FEATURES

- Power over Ethernet (PoE) enabled as Molex CoreSync.
- Tunable white feature for PoE system.
- Shallow form linear ambient LED luminaire.
- Larger-scale rounded profile acrylic diffuser evenly surrounds the LED light source enabling a very wide and near-perfect light distribution.
- Compact design complies with all ADA requirements for public areas.
- Custom formulated high diffusion acrylic material allows for maximum light transmission while eliminating pixilation and hot spots.
- Digital LED technology provides high efficacy and energy efficiency.
- Optional integral side reflectors add both function and architectural contour.
- Nominal 2Ft., 4Ft. or 8Ft. long modules.
- Digital LED technology provides high efficacy and energy efficiency.
- Multiple power and light levels are offered as standard to allow meeting design and energy needs per application. Custom factory set levels available on request.
- Lumen maintenance; Reported L70 (hours) & L80 (hours) > 60,000.
- CRI greater than 80.
- Fixture lumens per watt ratios up to 142.
- American Made.

CROSS SECTIONS



molex

Fixture type:	Job information:
<input type="text"/>	<input type="text"/>

LW14 PoE SERIES

ARCHITECTURAL LINEAR
AMBIENT LED LUMINAIRE



PRODUCT DEFINITION SHEET

Ex: LW14-4-3800-35K-HTA-40VDC-180996



1	2	3	4	5	6
SERIES	NOMINAL LENGHT	NOMINAL LUMENS	COLOR TEMP	DIFFUSER	LED MODULES FORWARD VOLTAGE
<input type="checkbox"/> LW14 Architectural Linear Ambient LED Luminaire	<input type="checkbox"/> 2 24" Lenght <input type="checkbox"/> 4 45" Lenght <input type="checkbox"/> 8 96" Lenght	24"L <input type="checkbox"/> 2100 <input type="checkbox"/> 2300 <input type="checkbox"/> 2500 <input type="checkbox"/> 2700 45"L <input type="checkbox"/> 2100 <input type="checkbox"/> 3800 <input type="checkbox"/> 4500 <input type="checkbox"/> 5000 <input type="checkbox"/> 5700 <input type="checkbox"/> 8400 <input type="checkbox"/> 10,900 96"L <input type="checkbox"/> 7600 <input type="checkbox"/> 10,900 <input type="checkbox"/> 21,800 XXXX Custom Lumen Package Contact Factory	<input type="checkbox"/> 30K <input type="checkbox"/> 35K <input type="checkbox"/> 40K <input type="checkbox"/> 50K Upon Request <input type="checkbox"/> TW 27K-65K	<input type="checkbox"/> HTA High Transmission Acrylic	<input type="checkbox"/> 40VDC

OPTIONS

7	8	9	10
VOLTAGE	EMERGENCY LIGHTING	SIDE REFLECTORS	INTEGRAL LIGHTINH CONTROLS
<input type="checkbox"/> Single Channel 180996-XXXX-250-300mA 180996-XXXX-300-350mA 180996-XXXX-360-500mA 180996-XXXX-510-700mA 180996-XXXX-710-880mA 180996-XXXX-890-1050mA <input type="checkbox"/> Dual Channel 180996-XXXX-300-350mA 180996-XXXX-360-500mA 180996-XXXX-510-700mA 180996-XXXX-710-880mA 180996-XXXX-890-1050mA	<input type="checkbox"/> Single Channel CORESM-00350 CORESM-00500 CORESM-00700 CORESM-01050 CORESM-00880 <input type="checkbox"/> Dual Channel COREDM-00350 COREDM-00500 COREDM-00700 COREDM-01050 COREDM-00880	<input type="checkbox"/> SR Symmetric Function Set of 2 Side Reflectors <input type="checkbox"/> AR Asymmetric Function 1 Side Reflector <input type="checkbox"/> SRA Symmetric Function Aperture Reflectors	<input type="checkbox"/> O1 Leviton OSHFU mounts externally for higher ceilings. <input type="checkbox"/> O4 Wattstopper FS-155-1 mounts internally with only the PIF dome visible. <input type="checkbox"/> O5 Leviton OSF10 mounts internally with only the PIF dome visible.

LW14 PoE SERIES

ARCHITECTURAL LINEAR AMBIENT LED LUMINAIRE



NOMINAL LENGHT 2FT

Nominal Lumen Package	Color	Fixture Power (W)	Delivered Lumens	Fixture LPW
2100	3000K	17	2038	120
2100	3500K	17	2106	124
2100	4000K	17	2125	125
2100	5000K	17	2125	125
2300	3000K	18	2151	120
2300	3500K	18	2222	123
2300	4000K	18	2302	128
2300	5000K	18	2302	128
2500	3000K	19	2318	122
2500	3500K	19	2394	126
2500	4000K	19	2502	132
2500	5000K	19	2502	132
2700	3000K	22	2592	118
2700	3500K	22	2679	122
2700	4000K	22	2703	123
2700	5000K	22	2703	123

NOMINAL LENGHT 8FT

Nominal Lumen Package	Color	Fixture Power (W)	Delivered Lumens	Fixture LPW
7600	3000K	56	7302	130
7600	3500K	56	7544	135
7600	4000K	56	7613	136
7600	5000K	56	7613	136
10,900	3000K	84	10,481	125
10,900	3500K	84	10,828	129
10,900	4000K	84	10,928	130
10,900	5000K	84	10,928	130
21,800	3000K	168	20,962	125
21,800	3500K	168	21,656	129
21,800	4000K	168	21,856	130
21,800	5000K	168	21,856	130

NOMINAL LENGHT 4FT

Nominal Lumen Package	Color	Fixture Power (W)	Delivered Lumens	Fixture LPW
2100	3000K	15	2040	136
2100	3500K	15	2108	141
2100	4000K	15	2127	142
2100	5000K	15	2127	142
3800	3000K	29	3679	127
3800	3500K	29	3802	131
3800	4000K	29	3836	132
3800	5000K	29	3836	132
4500	3000K	34	4329	127
4500	3500K	34	4472	132
4500	4000K	34	4514	133
4500	5000K	34	4514	133
5000	3000K	39	4801	123
5000	3500K	39	4961	127
5000	4000K	39	5006	128
5000	5000K	39	5006	128
5700	3000K	45	5485	122
5700	3500K	45	5667	126
5700	4000K	45	5719	127
5700	5000K	45	5719	127
8400	3000K	64	8220	128
8400	3500K	64	8431	132
8400	4000K	64	8431	132
9400	5000K	64	8756	137
10,900	3000K	84	10,481	125
10,900	3500K	84	10,828	128
10,900	4000K	84	10,928	130
10,900	5000K	84	10,928	130

Actual wattage may differ by +/- 5% when operating between 120-277V +/- 10%

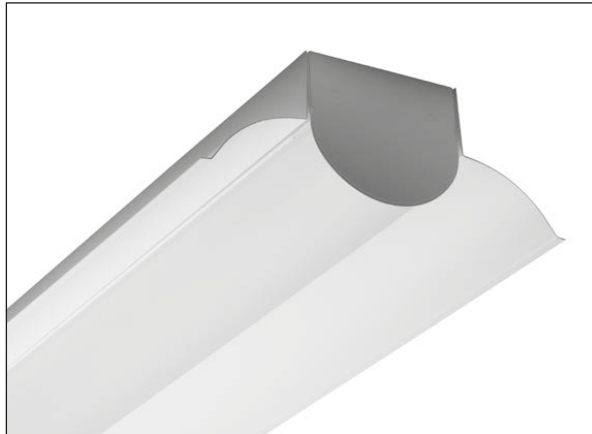
HANGING ACCESSORIES

PART #	DESCRIPTION
R5PF-100	Round 5" power feed canopy, Hanging hardware, 100" long 1/16" cable.
S5PF-100	Square 5" power feed canopy, Hanging hardware, 100" long 1/16" cable.
R5-100	Round 5" canopy, Hanging hardware, 100" long 1/16" cable.
R2-100	Round 2" canopy, Hanging hardware, 100" long 1/16" cable.
S5-100	Square 5" canopy, Hanging hardware, 100" long 1/16" cable.
S2-100	Square 2" canopy, Hanging hardware, 100" long 1/16" cable.
VH-XX	"V" Hanger w/XX=48"L or 72"L Chain & "S" Hock
CPYS-1	S-1 Single Stem 5" Dia. Canopy
STMXX	XX=12"L, 24"L, 48"L Stem/ 3/8" IPS-5/8" OD

Other cable and stem lengths available. Consult factory.

LW14 PoE SERIES

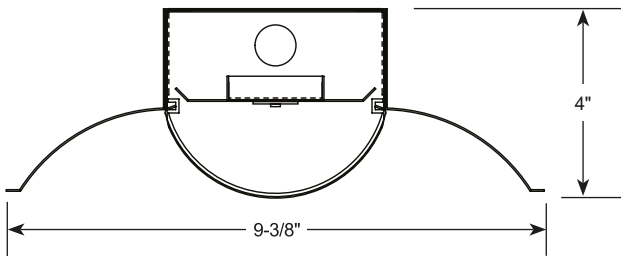
ARCHITECTURAL LINEAR
AMBIENT LED LUMINAIRE



Optional side reflectors.



Optional Aperture Reflectors



Optional Side Reflectors

All photometrics reports are available at www.mercltg.com

LW14 PoE SERIES

ARCHITECTURAL LINEAR AMBIENT LED LUMINAIRE



LED MODULES

- High performance linear configured LED module boards.
- Each board consists of multiple mid-power, high efficacy LEDs in a precise layout eliminating the need for supplemental heat sinking.
- The boards produce an even and diffuse light which maximizes optical efficiency.
- Compatible with the dimming performance of the LED driver.
- Color temperatures available: 3000K, 3500K and 4000K.
- Upon request: 5000K.

TUNABLE WHITE OPTION

- Field tunable range 2700K through 5700K.
- 80CRI.

LED LUMEN PACKAGES

- Cataloged standard lumen packages. See attached chart for full details.
- Custom lumen packages pre-set are optional with programmable drivers only. Contact factory for details.

HOUSING

- Fabricated from heavy gauge code grade cold rolled steel with a white polyester powder coating finish for long lasting durability.
- Housing ends are welded into place.
- Sufficient electrical knockouts are provided on the housing back and ends.

REFLECTOR OPTIONS

- Side reflectors are factory installed or can be field installed to the housing.
- May be used individually for one-side asymmetric function or in pairs for dual-side symmetric function.
- Aperture option; a series of architectural apertures allows a segment of up lighting.

DIFFUSER

- Larger-scale rounded profile design.
- Extruded from custom formulated high transmission acrylic material.
- Linear ribbing for high LED performance.

POE DRIVERS

- UL 2108 Listed.
- Plenum Rated.
- LED output voltage range 12-42VDC.
- Class 2 rated electrical device.
- Available in both single channel and dual channel.
- Efficiency: 92% (typical) at 52VDC input, full load.
- Constant Current accuracy +/- 3%.
- Ambient temperature: 0 to 40°C (32 to 104°F).
- Max case temperature: 75°C (167°F).
- Environmental rating: Indoor.

DIMMING PERFORMANCE- POE DRIVER

- Dimming: PWM
- Dimming type: Linear
- Dimming frequency: 500Hz
- Dimming range: 1-100%

MOLEX-POE DRIVERS

- The Molex CoreSync Programmable Smart LED Driver is a compact low voltage, DC/DC LED driver that can be programmed to specific power outputs, for driving Constant Current LED engines in a wide variety of light fixtures.
- Controlled, powered and integrated with a Molex CoreSync PoE Gateway.
- This DC system provides 71.3 usable watts at the powered device, it operates at 52 VDC and has an amperage allowance 1.73 amps.
- Using this product gives the end user the option of making their building a smart building combining IT and OT to one platform, while being able to control but not limited to cameras, shades, occupancy, traffic patterns and DLH.

CORESNC EMERGENCY LIGHTING BYPASS

- UL 924 Compliant, Indoor Rated.
- Ambient operating temperature 0-40C (32-104F).

ELECTRICAL- ELB

- EM input: 110-277 VAC.
- Output: 12-42 VDC up to 1050MA.
- Standby Power: 1W.

OPERATION-ELB

- In the event of a power failure, PoE power source failure or disconnection of cabling, the module will bypass normal PoE control and activate the emergency power source. The fixture will power to full brightness and return to normal operation once the emergency has been cleared.

OPTIONAL INTEGRAL LIGHTING CONTROLS

- Self-contained motion sensors mount directly to luminaire.
- Passive infrared (PIF) technology for individual luminaire control.
- On/Off control with optional delay features.
- See ordering matrix for available sensors.
- System lighting controls available. Contact factory.

INSTALLATIONS

- May be installed in any direction, individually or in continuous run applications.
- May be surface mounted or suspended.
- End knockouts for surface conduit entry.

CERTIFICATE OF SAFETY COMPLIANCE AND LISTINGS

- Luminaire: UL and CUL listed 1598 and bears their label. Suitable for damp locations.

WARRANTY

- 5-year limited warranty is standard. Special 10-year warranty available on a job-to-job basis. Complete LED warranty terms available at www.mercltg.com
- Actual performance may differ as a result of end-user environment and application.
- Most LED luminaires are suitable to operate in ambient temperatures from -20C (-4F) to 25C (77F).
- The following exclusions apply: Luminaires with standby lighting option, integral lighting controls options, or wireless control options. Consult factory.
- LM-79 testing was measured under a controlled 25C (77F) ambient operating temperature.