

LSA SERIES

DIFFUSER ENCLOSED LINEAR LED LUMINAIRE



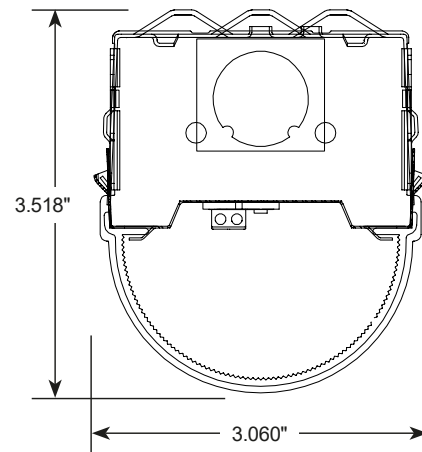
FEATURES

- Shallow form linear ambient LED luminaire.
- Module lengths of 24", 46" and 92".
- Small-scale rounded profile acrylic diffuser evenly surrounds the LED light source.
- One-piece diffuser runs the entire luminaire length. No joiners used.
- Custom formulated high diffusion frosted acrylic material allows for maximum light transmission while eliminating pixilation and hot spots.
- Compact design complies with all ADA requirements for public areas.
- Digital LED technology provides high efficacy and energy efficiency.
- Lumen maintenance; Reported L70 (hours) & L80 (hours) > 60,000.
- CRI greater than 80.
- Fixture lumens per watt ratios up to 130.
- Optional wire guard for diffuser protection.
- American Made.

NEW FEATURES

- Power over Ethernet (PoE) enabled as an Igor Ecosystem Partner.
- Tunable white feature for standard system or PoE system.

CROSS SECTIONS



Fixture type:	Job information:
<input type="text"/>	<input type="text"/>

LSA SERIES

DIFFUSER ENCLOSED
LINEAR LED LUMINAIRE



PRODUCT DEFINITION SHEET

Ex: LSA-4-5700-35K-HTA-1-U-EM10-O1



1	2	3	4	5	6
SERIES	NOMINAL LENGTH	NOMINAL LUMENS	COLOR TEMP-CCT	DIFFUSER	DRIVER
<input type="checkbox"/> LSA Diffuser Enclosed Linear LED Luminaire	<input type="checkbox"/> 2 24" Length <input type="checkbox"/> 4 46" Length <input type="checkbox"/> 8 92" Length	24"L <input type="checkbox"/> 2300 <input type="checkbox"/> 2800 46"L <input type="checkbox"/> 3300 <input type="checkbox"/> 4000 <input type="checkbox"/> 5200 <input type="checkbox"/> 5700 92"L <input type="checkbox"/> 6000 <input type="checkbox"/> 8000 <input type="checkbox"/> 11,400 XXXX Custom Lumen Package Contact Factory	<input type="checkbox"/> 30K 3000K <input type="checkbox"/> 35K 3500K <input type="checkbox"/> 40K 4000K <input type="checkbox"/> 50K 5000K <input type="checkbox"/> TW Tunable White 2700K-6500K	<input type="checkbox"/> HTA High Transmission Acrylic	<input type="checkbox"/> 1 0-10V 1% Dimming <input type="checkbox"/> - As specified <input type="checkbox"/> - Igor Node As Specified.

OPTIONS

7	8	9
VOLTAGE	STANDBY MODULES	INTEGRAL LIGHTING CONTROLS
<input type="checkbox"/> U Uni 120-277V	<input type="checkbox"/> EM10 Emergency Battery 10W <input type="checkbox"/> BSL310 Emergency Battery 10W Philips <input type="checkbox"/> EM12 Emergency Battery 12W Available on 4ft. and 8Ft. Modules Only.	<input type="checkbox"/> O1 Leviton OSFHU mounts externally on the luminaire end.

HANGING ACCESSORIES

PART #	DESCRIPTION
R5PF-100	Round 5" power feed canopy, Hanging hardware, 100" long 1/16" cable.
S5PF-100	Square 5" power feed canopy, Hanging hardware, 100" long 1/16" cable.
R5-100	Round 5" canopy, Hanging hardware, 100" long 1/16" cable.
R2-100	Round 2" canopy, Hanging hardware, 100" long 1/16" cable.
S5-100	Square 5" canopy, Hanging hardware, 100" long 1/16" cable.
S2-100	Square 2" canopy, Hanging hardware, 100" long 1/16" cable.

LUMINAIRE ACCESSORIES

PART #	DESCRIPTION
VH-XX	"V" Hanger w/XX=48"L or 72"L Chain & "S" Hook
CPYS-1	S-1 Single Stem 5" Dia. Canopy
STMXX	XX=12"L, 24"L, 48"L Stem/ 3/8" IPS-5/8" OD
WG-LSA-4	46" Wire Guard

Other cable and stem lengths available. Consult factory.

LSA SERIES

DIFFUSER ENCLOSED LINEAR LED LUMINAIRE

NOMINAL LENGHT 2FT

Nominal Lumen Package	Color	Fixture Power (W)	Delivered Lumens	Fixture LPW	Standby Lighting Option
2300	3000K	20	2223	111	-
2300	3500K	20	2247	112	-
2300	4000K	20	2341	117	-
2300	5000K	20	3356	118	-
2800	3000K	25	2724	109	-
2800	3500K	25	2753	110	-
2800	4000K	25	2869	115	-
2800	5000K	25	3898	116	-

NOMINAL LENGHT 4FT

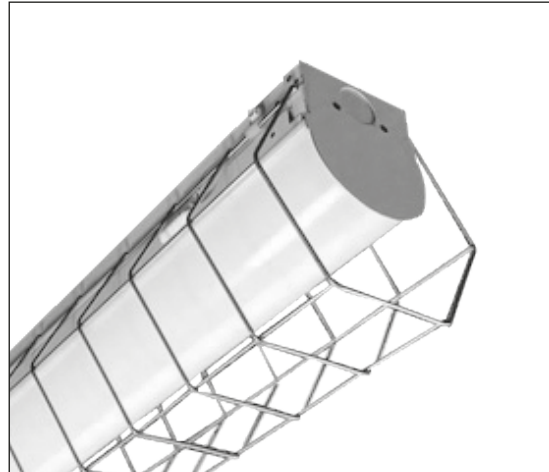
Nominal Lumen Package	Color	Fixture Power (W)	Delivered Lumens	Fixture LPW	Standby Lighting Option
3300	3000K	26	3170	122	✓
3300	3500K	26	3203	123	✓
3300	4000K	26	3338	128	✓
3300	5000K	26	3372	130	✓
4000	3000K	33	3853	117	✓
4000	3500K	33	3894	118	✓
4000	4000K	33	4058	123	✓
4000	5000K	33	4099	124	✓
5200	3000K	45	4977	111	✓
5200	3500K	45	5030	112	✓
5200	4000K	45	5241	116	✓
5200	5000K	45	5294	118	✓
5700	3000K	50	5449	109	✓
5700	3500K	50	5507	110	✓
5700	4000K	50	5739	115	✓
5700	5000K	50	5797	116	✓

NOMINAL LENGHT 8FT

Nominal Lumen Package	Color	Fixture Power (W)	Delivered Lumens	Fixture LPW	Standby Lighting Option
6000	3000K	47	5790	122	✓
6000	3500K	47	5781	123	✓
6000	4000K	47	6024	128	✓
6000	5000K	47	6085	129	✓
8000	3000K	66	7657	116	✓
8000	3500K	66	7738	117	✓
8000	4000K	66	8064	122	✓
8000	5000K	66	8145	123	✓
11400	3000K	99	10,898	110	✓
11400	3500K	99	11,014	111	✓
11400	4000K	99	11,477	116	✓
11400	5000K	99	11,593	117	✓



Detail



Wire Guard

LSA SERIES

DIFFUSER ENCLOSED LINEAR LED LUMINAIRE



LED MODULES

- High performance linear configured LED module boards.
- Each board consists of multiple mid-power, high efficacy LEDs in a precise layout eliminating the need for supplemental heat sinking.
- The boards produce an even and diffuse light which maximizes optical efficiency.
- Compatible with the dimming performance of the LED driver.
- Color temperatures available: 3000K, 3500K, 4000K and 5000K.

LED DRIVERS

- Factory programmable constant current LED power supply.
- Multiple standard drive current outputs (factory set by Mercury) are cataloged with their corresponding lumen package offerings. Upon request, custom drive current outputs and lumen packages are available.
- Note: Certain cataloged lumen packages may be provided with a non-programmable constant current LED power supply at Mercury's discretion. Contact factory if critical.
- Universal voltage input, 120V-277V, 50HZ-60HZ.
- Specification grade continuous dimming capability down to 1% on 0-10V dimming controls.

TUNABLE WHITE OPTION

- Field tunable range 2700K through 6500K.
- 80CRI.

POE NODES BY IGOR

- All IGOR nodes sized to fit as an integral component.
- Up to 75W maximum allows for one CAT5E wire per 8-ft. luminaire.
- Factory programmable for custom drive currents offering desired lumen-per foot performances.
- Dimmable down to 1%.
- Nodes compatible with external sensors.

LED LUMEN PACKAGES

- Cataloged standard lumen packages. See attached chart for full details.
- Custom lumen packages pre-set are optional with programmable drivers only. Contact factory for details.

HOUSING

- Fabricated from code grade cold rolled steel with a white polyester finish for long lasting durability.
- Sufficient electrical knockouts are provided on the housing back and ends.

DIFFUSER

- Small-scale rounded profile design.
- Extruded from frosted acrylic material.
- Linear ribbing for high LED performance.
- One-piece diffuser runs the entire luminaire length. No joiners used.

STANDBY LIGHTING OPTIONS

- Self-contained module, 10W or 12W as specified. Battery backup upon loss of power. Available 4ft. and 8ft. modules only.
- IGOR emergency nodes available.

OPTIONAL INTEGRAL LIGHTING CONTROLS

- Self-contained motion sensors mount directly to luminaire.
- See ordering matrix for available sensors.

INSTALLATIONS

- May be installed in any direction, individually or in continuous run applications.
- May be surface mounted or suspended.
- End knockouts for surface conduit entry.

CERTIFICATE OF SAFETY COMPLIANCE AND LISTINGS

- Luminaire: UL and CUL listed 1598 and bears their label. Suitable for damp locations.

WARRANTY

- 5-year limited warranty is standard. Special 10-year warranty available on a job-to-job basis. Complete LED warranty terms available at www.mercltg.com
- Actual performance may differ as a result of end-user environment and application.
- Most LED luminaires are suitable to operate in ambient temperatures from -20C (-4F) to 25C (77F).
- The following exclusions apply: Luminaires with standby lighting option, integral lighting controls options, or wireless control options. Consult factory.
- LM-79 testing was measured under a controlled 25C (77F) ambient operating temperature.

PHOTOMETRICS

- All photometrics reports are available at www.mercltg.com