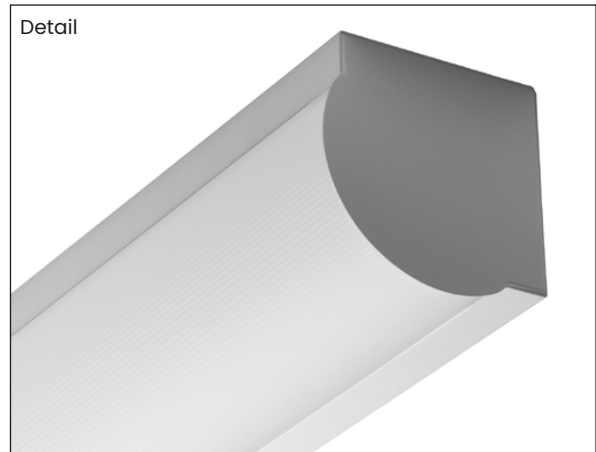
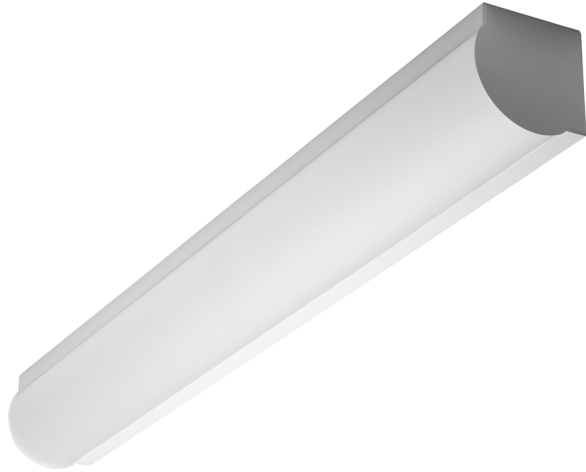


# LC14 SERIES

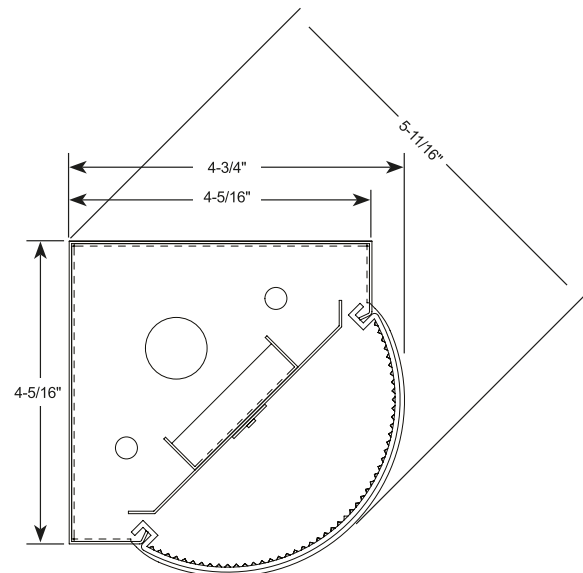
## ARCHITECTURAL CORNER-MOUNT LINEAR LED LUMINAIRE



### FEATURES

- Special application linear LED luminaire.
- Corner-designed profile allows for installations at the wall/ceiling line putting the acrylic diffuser at a forty-five degree angle.
- Custom formulated high diffusion acrylic material allows for maximum light transmission while eliminating pixilation and hot spots.
- Nominal 2Ft, 4Ft. or 8Ft. long modules.
- Digital LED technology provides high efficacy and energy efficiency.
- Multiple power and light levels are offered as standard to allow meeting design and energy needs per application. Custom factory set levels available on request.
- Lumen maintenance; Reported L70 (hours) & L80 (hours) > 60,000.
- CRI greater than 80.
- Fixture lumens per watt ratios up to 142.
- American Made.

### CROSS SECTIONS



Fixture type:	Job information:

# LC14 SERIES

## ARCHITECTURAL CORNER-MOUNT LINEAR LED LUMINAIRE



### PRODUCT DEFINITION SHEET

Ex: LC14-4-3800-35K-HTA-1-U-EM10



1	2	3	4	5	6
SERIES	LENGHT	NOMINAL LUMENS	COLOR TEMP-CCT	DIFFUSER	DRIVER
<input type="checkbox"/> <b>LC14</b>	<input type="checkbox"/> <b>2</b> 24" Lenght <input type="checkbox"/> <b>4</b> 45" Lenght <input type="checkbox"/> <b>8</b> 96" Lengt	<b>24"L</b> <input type="checkbox"/> <b>2100</b> <input type="checkbox"/> <b>2300</b> <input type="checkbox"/> <b>2500</b> <input type="checkbox"/> <b>2700</b>  <b>45"L</b> <input type="checkbox"/> <b>2100</b> <input type="checkbox"/> <b>3800</b> <input type="checkbox"/> <b>4500</b> <input type="checkbox"/> <b>5000</b> <input type="checkbox"/> <b>5700</b> <input type="checkbox"/> <b>8400</b> <input type="checkbox"/> <b>10,900</b>  <b>96"L</b> <input type="checkbox"/> <b>7600</b> <input type="checkbox"/> <b>10,900</b> <input type="checkbox"/> <b>21,800</b>  <b>XXXX</b> Custom Lumen Package Contact Factory	<input type="checkbox"/> <b>30K</b> 3000K <input type="checkbox"/> <b>35K</b> 3500K <input type="checkbox"/> <b>40K</b> 4000K <input type="checkbox"/> <b>50K</b> 5000K Upon request	<input type="checkbox"/> <b>HTA</b> High Transmission Acrylic	<input type="checkbox"/> <b>1</b> 0-10V 1% Dimming <input type="checkbox"/> <b>-</b> As specified

7	8
VOLTAGE	OPTIONS
<input type="checkbox"/> <b>U</b> Uni 120-277V	<b>STANDBY MODULES</b> <input type="checkbox"/> <b>EM10</b> Emergency Battery Pack 10W <input type="checkbox"/> <b>EM12</b> Emergency Battery Pack 12W <input type="checkbox"/> <b>NO OPTION</b>  <b>OPTIONAL INTEGRAL OCCUPANCY SENSOR</b> <input type="checkbox"/> <b>O3</b> Wattstopper FS-155 mounts internally with only the PIF dome visible. <input type="checkbox"/> <b>O5</b> Leviton OSF10 mounts internally with only the PIF dome visible.

# LC14 SERIES

## ARCHITECTURAL CORNER-MOUNT LINEAR LED LUMINAIRE



### PERFORMANCE

#### NOMINAL LENGHT 2FT

Nominal Lumen Package	Color	Fixture Power (W)	Delivered Lumens	Fixture LPW
2100	3000K	17	2038	120
2100	3500K	17	2106	124
2100	4000K	17	2125	125
2100	5000K	17	2125	125
2300	3000K	18	2151	120
2300	3500K	18	2222	123
2300	4000K	18	2302	128
2300	5000K	18	2302	128
2500	3000K	19	2318	122
2500	3500K	19	2394	126
2500	4000K	19	2502	132
2500	5000K	19	2502	132
2700	3000K	22	2592	118
2700	3500K	22	2679	122
2700	4000K	22	2703	123
2700	5000K	22	2703	123

#### NOMINAL LENGHT 8FT

Nominal Lumen Package	Color	Fixture Power (W)	Delivered Lumens	Fixture LPW
7600	3000K	56	7302	130
7600	3500K	56	7544	135
7600	4000K	56	7613	136
7600	5000K	56	7613	136
10,900	3000K	84	10,481	125
10,900	3500K	84	10,828	129
10,900	4000K	84	10,928	130
10,900	5000K	84	10,928	130
21,800	3000K	168	20,962	125
21,800	3500K	168	21,656	129
21,800	4000K	168	21,856	130
21,800	5000K	168	21,856	130

#### NOMINAL LENGHT 4FT

Nominal Lumen Package	Color	Fixture Power (W)	Delivered Lumens	Fixture LPW
2100	3000K	15	2040	136
2100	3500K	15	2108	141
2100	4000K	15	2127	142
2100	5000K	15	2127	142
3800	3000K	29	3679	127
3800	3500K	29	3802	131
3800	4000K	29	3836	132
3800	5000K	29	3836	132
4500	3000K	34	4329	127
4500	3500K	34	4472	132
4500	4000K	34	4514	133
4500	5000K	34	4514	133
5000	3000K	39	4801	123
5000	3500K	39	4961	127
5000	4000K	39	5006	128
5000	5000K	39	5006	128
5700	3000K	45	5485	122
5700	3500K	45	5667	126
5700	4000K	45	5719	127
5700	5000K	45	5719	127
8400	3000K	64	8220	128
8400	3500K	64	8431	132
8400	4000K	64	8431	132
8400	5000K	64	8756	137
10,900	3000K	84	10,481	125
10,900	3500K	84	10,828	129
10,900	4000K	84	10,928	130
10,900	5000K	84	10,928	130

# LC14 SERIES

## ARCHITECTURAL CORNER-MOUNT LINEAR LED LUMINAIRE



### LED MODULES

- High performance linear configured LED module boards.
- Each board consists of multiple mid-power, high efficacy LEDs in a precise layout eliminating the need for supplemental heat sinking.
- The boards produce an even and diffuse light which maximizes optical efficiency.
- Compatible with the dimming performance of the LED driver.
- Color temperatures available: 3000K, 3500K and 4000K.
- Upon request: 5000K.

### LED DRIVERS

- Factory programmable constant current LED power supply.
- Multiple standard drive current outputs (factory set by Mercury) are cataloged with their corresponding lumen package offerings. Upon request, custom drive current outputs and lumen packages are available.
- Note: Certain cataloged lumen packages may be provided with a non-programmable constant current LED power supply at Mercury's discretion. Contact factory if critical.
- Universal voltage input, 120V-277V, 50HZ-60HZ.
- Specification grade dimming capability down to 1% on 0-10V dimming controls.

### LED LUMEN PACKAGES

- Cataloged standard lumen packages. See attached chart for full details.
- Custom lumen packages pre-set are optional with programmable drivers only. Contact factory for details.

### HOUSING

- Fabricated from heavy gauge code grade cold rolled steel with housing ends welded into place.
- White polyester powder coating finish for long lasting durability.
- Sufficient electrical knockouts are provided on the housing back and ends.

### DIFFUSER

- Larger-scale rounded profile design.
- Extruded from custom formulated high transmission acrylic material.
- Linear ribbing for high LED performance.

### STANDBY LIGHTING OPTIONS

- Self contained module, 10W or 12W as specified. Battery backup upon loss of power.

### OPTIONAL INTEGRAL OCCUPANCY SENSOR

- Self-contained sensor mounts directly to luminaire.
- Passive infrared (PIF) technology for individual luminaire control.
- On/Off control with optional delay features.
- See ordering matrix for available sensors.

### INSTALLATIONS

- May be installed in any direction, individually or in continuous run applications.
- May be surface mounted or suspended.
- End knockouts for surface conduit entry.

### CERTIFICATE OF SAFETY COMPLIANCE AND LISTINGS

- Luminaire: UL and CUL listed 1598 and bears their label. Suitable for damp locations.

### WARRANTY

- 5-year limited warranty is standard. Special 10-year warranty available on a job-to-job basis. Complete LED warranty terms available at [www.mercltg.com](http://www.mercltg.com)
- Actual performance may differ as a result of end-user environment and application.
- Most LED luminaires are suitable to operate in ambient temperatures from -20C (-4F) to 25C (77F).
- The following exclusions apply: Luminaires with standby lighting option, integral lighting controls options, or wireless control options. Consult factory.
- LM-79 testing was measured under a controlled 25C (77F) ambient operating temperature.

### PHOTOMETRICS

- All photometrics reports are available at [www.mercltg.com](http://www.mercltg.com)