

SATURN DI

DIRECT DIRECT/INDIRECT RING SUSPENDED MOUNT



FEATURES

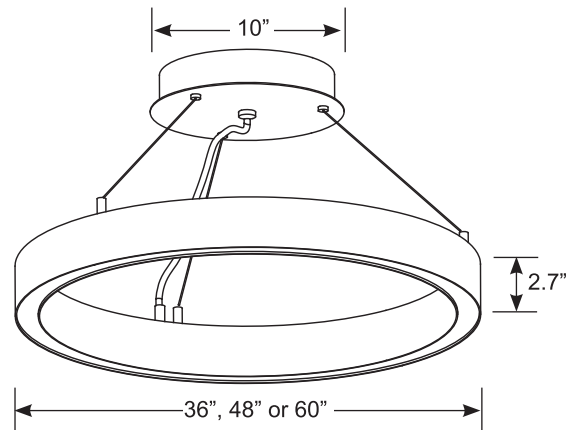
- Ultra slim architectural ring of dual directional LED illumination.
- Direct downlighting combined with indirect uplighting.
- Extruded aluminum housing produces a perfect circle of light.
- Narrow profile: Width = 1.7". Depth = 2.7".
- Diameter sizes/Total Lumens: 3ft./6800L, 4ft./10,200L, 5ft./11,475L.
- 70% Direct/30% Indirect.
- Custom formulated high diffusion acrylic lens.
- Suspended on cables to ceiling.
- 90 CRI standard.
- Continuous dimming capability down to 5% on 0-10V controls.
- Fixture lumens per watt ratio 85 LPW.
- White or black powder coating finish.
- Suitable for damp locations.

PERFORMANCE

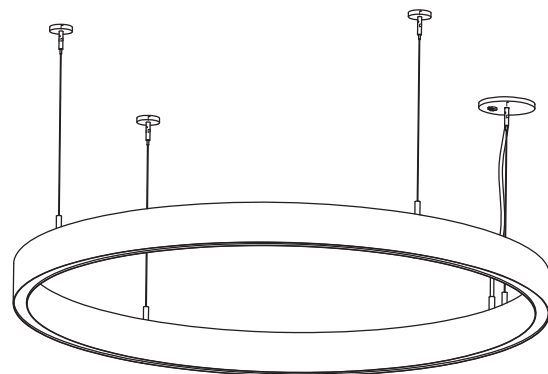
Series	Diameter (IN)	Color Temp (90 CRI)	Total Lumens Output (L)	Direct/Indirect %	Delivered Lumens Direct (L)	Delivered Lumens Indirect (L)	Total Fixture Power (W)	Lumens per Watt (LPW)
GSDI	36	3000	6800	70/30	4760	2040	80	85
	36	3500	6800	70/30	4760	2040	80	85
	48	3000	10,200	70/30	7140	3060	120	85
	48	3500	10,200	70/30	7140	3060	120	85
	60	3000	11,475	70/30	8032	3442	135	85
	60	3500	11,475	70/30	8032	3442	135	85



MOUNTING



S
Suspended



36", 48", 60" will have (4) hanging points

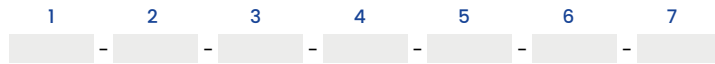
MS
Multiple
Suspended

Multiple Suspended will require remote driver box (not shown).

Fixture type:	Job information:
<input type="text"/>	<input type="text"/>

PRODUCT DEFINITION SHEET

Ex: **GSD-S-3400/24-935K-W-5-U**



1	2	3	4
SERIES	MOUNTING	NOMINAL LUMENS (L) / DIAMETER (IN)	COLOR TEMP-CCT
<input type="checkbox"/> GSDI Galaxy Saturn Direct/Indirect Ring	<input type="checkbox"/> S Suspended (5% dimming only) <input type="checkbox"/> MS Multiple Suspended (1% dimming only)	<input type="checkbox"/> 6800/36 24W Up, 56W Down <input type="checkbox"/> 10,200/48 36W Up, 84W Down <input type="checkbox"/> 11,475/60 45W Up, 90W Down	90 CRI <input type="checkbox"/> 930K 3000K <input type="checkbox"/> 935K 3500K
5	6	7	
FINISH	DRIVER	VOLTAGE	
<input type="checkbox"/> W White <input type="checkbox"/> B Black	<input type="checkbox"/> 5 0-10V 5% Dimming (for Suspended only) <input type="checkbox"/> 1 0-10V 1% Dimming (for Multiple Suspended only)	<input type="checkbox"/> U Uni 120-277V	

HOUSINGS

Extruded aluminum profile.
Fabricated into seamless round diameters of 36", 48", or 60"
Inconspicuous cable mounting track along the housing top.
Non-glare polyester powder coating in white or black provides a durable and long-lasting finish.

DIFFUSERS

Seamless fit diffuser.
Extruded from high transmission white polycarbonate anti-UV material.
Allows maximum light transmission while eliminating pixillations or hot spots.
Smooth finish compliments the architectural elements.

LED MODULES

High performance linear configured LED modules.
The boards produce an even and diffuse light which maximizes optical efficiency.
Samsung 2835, 9V, 100mA or equal.
Compatible with the dimming performance of the led driver.
Color temperatures 3000K or 3500K.
90 CRI standard.

LED DRIVERS

Fixed current power supply.
See performance chart for lumen outputs.
Continuous dimming down to 5% on 0-10V controls.
Universal voltage input, 120V-277V.
Arcata, PF>0.9, no flicker, UL cert, class P or equal.

INSTALLATIONS

Designed to be suspended on cables.
Cable hanging kit included with each luminaire.
Each kit includes one 10-inch diameter canopy in color matching housing.
Each kit includes 5ft. aircraft cables; four per kit.
Each kit includes 5ft. power feed wire in color matching housing.

CERTIFICATE OF SAFETY COMPLIANCE AND LISTINGS

Luminaire: UL and CUL listed 1598 and bears their label. Suitable for damp locations.

WARRANTY

5-year limited warranty is standard. Special 10-year warranty available on a job-to-job basis. Complete LED warranty terms available at www.mercltg.com
Actual performance may differ as a result of end-user environment and application.
Most LED luminaires are suitable to operate in ambient temperatures from -20C (-4F) to 25C (77F).
The following exclusions apply: Luminaires with standby lighting option, integral lighting controls options, or wireless control options. Consult factory.
LM-79 testing was measured under a controlled 25C (77F) ambient operating temperature.