



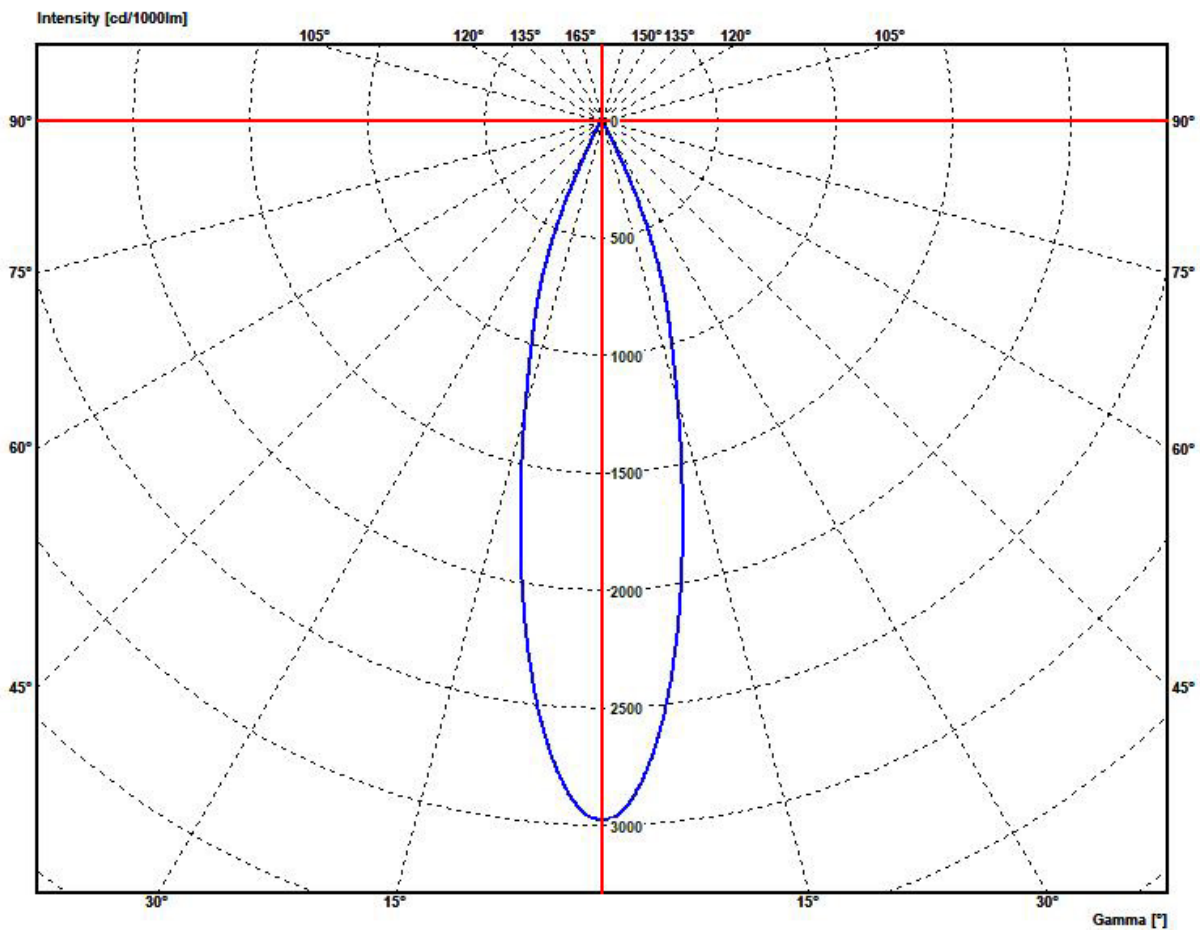




## PHOTOMETRIC RESULTS

<b>Name:</b>	<b>CTL-10-DI-640-TFL 3000K</b>		
<b>Type:</b>	LED DOWN LIGHT	<b>Diameter:</b>	30 mm
<b>Luminaire:</b>	AL.Die-casting, PC.MEDIUM REF. Ø35	<b>Length:</b>	0 mm
<b>Test no.:</b>	LT-2023-11-27-T07	<b>Width:</b>	0 mm
<b>Lamp type:</b>	LED10W, 220mA, 3000K, CRI90	<b>Height:</b>	100 mm
<b>No. of lamps:</b>	1	<b>Power:</b>	10.19 W
<b>Lamp flux:</b>	797.00 lm	<b>Operator:</b>	ASY
<b>Date:</b>	2023-11-29 PM 12:28:40	<b>LOR:</b>	80.8 %
<b>Comment:</b>	EAGL CRISE LS-8-220 SI E1 9.24W Max, 30-42VDC, 220mA		

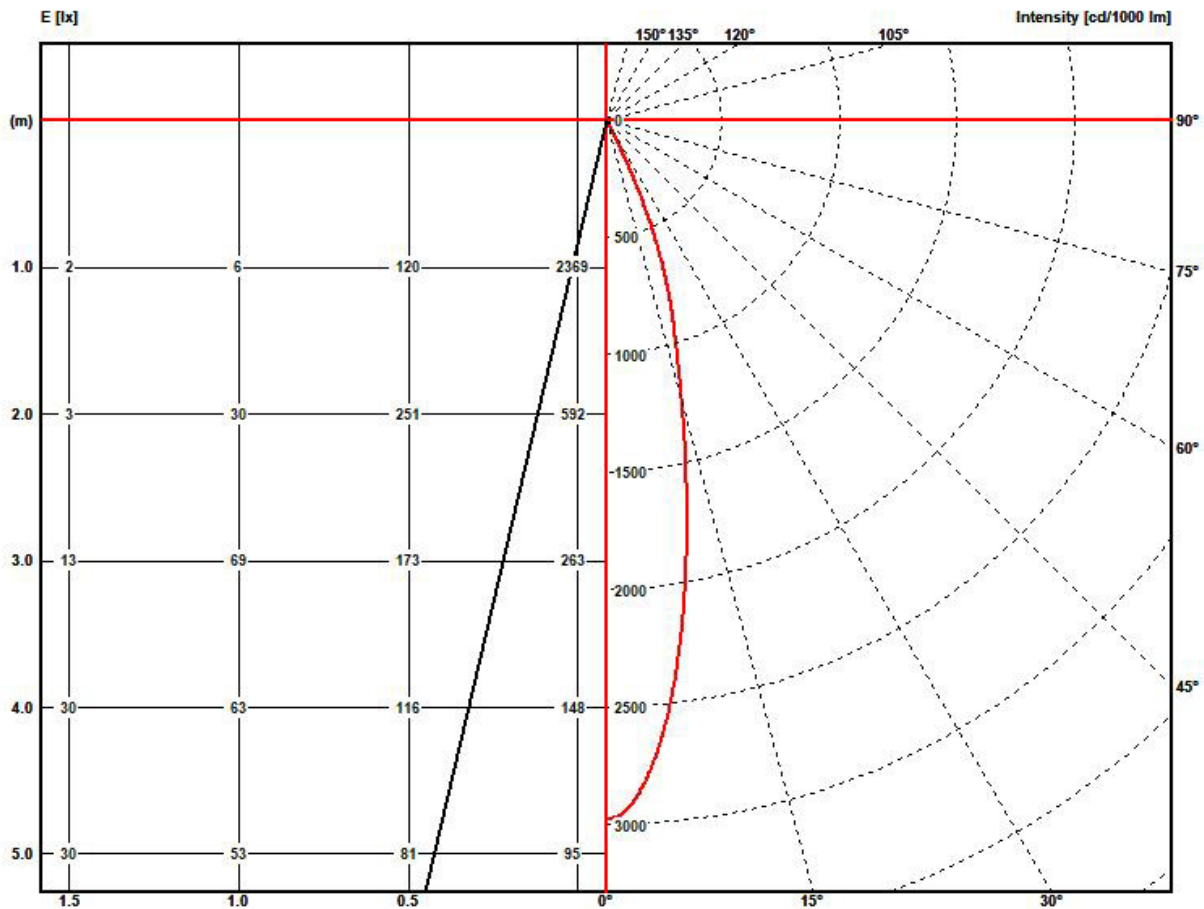
### Polar diagram CTL-10-DI-640-TFL 3000K / C-Plane measurement



## PHOTOMETRIC RESULTS

<b>Name:</b>	<b>CTL-10-DI-640-TFL 3000K</b>		
<b>Type:</b>	LED DOWN LIGHT	<b>Diameter:</b>	30 mm
<b>Luminaire:</b>	AL.Die-casting, PC.MEDIUM REF. Ø35	<b>Length:</b>	0 mm
<b>Test no.:</b>	LT-2023-11-27-T07	<b>Width:</b>	0 mm
<b>Lamp type:</b>	LED10W, 220mA, 3000K, CRI90	<b>Height:</b>	100 mm
<b>No. of lamps:</b>	1	<b>Power:</b>	10.19 W
<b>Lamp flux:</b>	797.00 lm	<b>Operator:</b>	ASY
<b>Date:</b>	2023-11-29 PM 12:28:40	<b>LOR:</b>	80.8 %
<b>Comment:</b>	EAGL CRISE LS-8-220 SI E1 9.24W Max, 30-42VDC, 220mA		

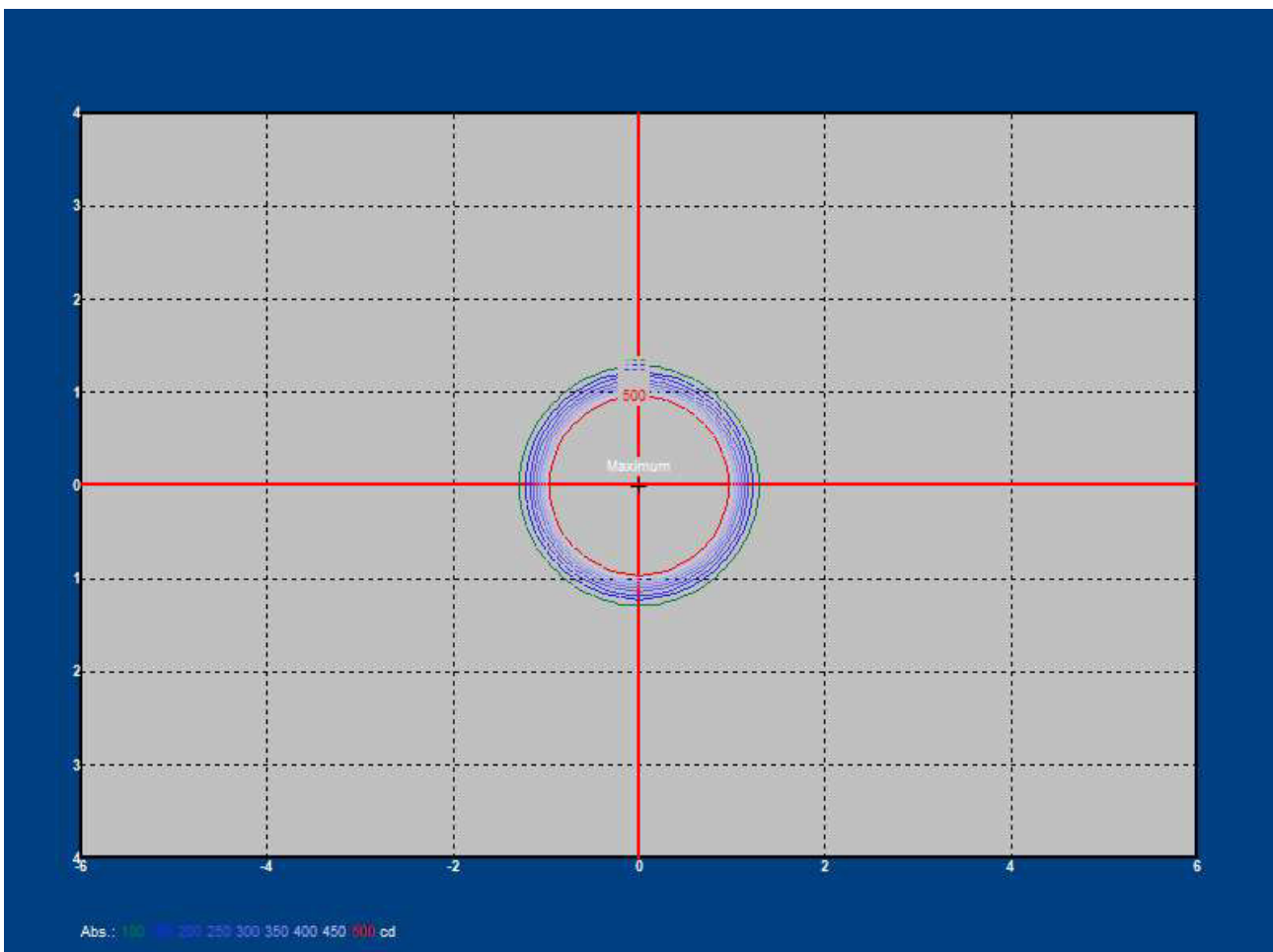
### Illuminance and Intensity diagram CTL-10-DI-640-TFL 3000K / C-Plane measurement



## PHOTOMETRIC RESULTS

<b>Name:</b>	CTL-10-DI-640-TFL 3000K		
<b>Type:</b>	LED DOWN LIGHT	<b>Diameter:</b>	30 mm
<b>Luminaire:</b>	AL.Die-casting, PC.MEDIUM REF. Ø35	<b>Length:</b>	0 mm
<b>Test no.:</b>	LT-2023-11-27-T07	<b>Width:</b>	0 mm
<b>Lamp type:</b>	LED10W, 220mA, 3000K, CRI90	<b>Height:</b>	100 mm
<b>No. of lamps:</b>	1	<b>Power:</b>	10.19 W
<b>Lamp flux:</b>	797.00 lm	<b>Operator:</b>	ASY
<b>Date:</b>	2023-11-29 PM 12:28:40	<b>LOR:</b>	80.8 %
<b>Comment:</b>	EAGL CRISE LS-8-220 SI E1 9.24W Max, 30-42VDC, 220mA		

### Isoline diagram CTL-10-DI-640-TFL 3000K / C-Plane measurement



Luminaire mounting height above ground: 2.4 m

Luminaire rotation angle: 0 °

## PHOTOMETRIC RESULTS

<b>Name:</b>	CTL-10-DI-640-TFL 3000K		
<b>Type:</b>	LED DOWN LIGHT	<b>Diameter:</b>	30 mm
<b>Luminaire:</b>	AL.Die-casting, PC.MEDIUM REF. Ø35	<b>Length:</b>	0 mm
<b>Test no.:</b>	LT-2023-11-27-T07	<b>Width:</b>	0 mm
<b>Lamp type:</b>	LED10W, 220mA, 3000K, CRI90	<b>Height:</b>	100 mm
<b>No. of lamps:</b>	1	<b>Power:</b>	10.19 W
<b>Lamp flux:</b>	797.00 lm	<b>Operator:</b>	ASY
<b>Date:</b>	2023-11-29 PM 12:28:40	<b>LOR:</b>	80.8 %
<b>Comment:</b>	EAGL CRISE LS-8-220 SI E1 9.24W Max, 30-42VDC, 220mA		

## LiTG Utilization factors

<b>Ceiling</b>	<b>70</b>	<b>80</b>	<b>80</b>	<b>50</b>	<b>50</b>	<b>80</b>	<b>80</b>	<b>80</b>	<b>50</b>	<b>50</b>	<b>30</b>	<b>0</b>
<b>Wall</b>	<b>50</b>	<b>50</b>	<b>30</b>	<b>50</b>	<b>30</b>	<b>80</b>	<b>50</b>	<b>30</b>	<b>50</b>	<b>30</b>	<b>30</b>	<b>0</b>
<b>Working plane</b>	<b>20</b>	<b>30</b>	<b>30</b>	<b>30</b>	<b>30</b>	<b>10</b>	<b>10</b>	<b>10</b>	<b>10</b>	<b>10</b>	<b>10</b>	<b>0</b>
<b>Roomindices</b>	Utilization coefficients for ceiling mounted luminaires											
<b>0.6</b>	68	69	66	69	66	73	67	65	66	64	64	63
<b>0.8</b>	72	74	70	73	70	76	70	68	70	68	68	66
<b>1</b>	74	77	73	75	72	78	73	71	72	70	70	68
<b>1.25</b>	78	81	77	79	76	81	76	74	75	73	73	71
<b>1.5</b>	80	83	79	80	77	82	77	75	76	75	74	72
<b>2</b>	82	86	83	82	80	83	79	77	78	76	75	73
<b>2.5</b>	83	88	85	84	81	83	80	78	78	77	76	74
<b>3</b>	84	90	87	85	82	84	81	79	79	78	77	75
<b>4</b>	85	92	89	86	84	84	81	80	79	78	77	75
<b>5</b>	86	94	91	87	85	85	82	80	80	78	77	75

<b>Ceiling</b>	<b>70</b>	<b>80</b>	<b>80</b>	<b>50</b>	<b>50</b>	<b>80</b>	<b>80</b>	<b>80</b>	<b>50</b>	<b>50</b>	<b>30</b>	<b>0</b>
<b>Wall</b>	<b>50</b>	<b>50</b>	<b>30</b>	<b>50</b>	<b>30</b>	<b>80</b>	<b>50</b>	<b>30</b>	<b>50</b>	<b>30</b>	<b>30</b>	<b>0</b>
<b>Working plane</b>	<b>20</b>	<b>30</b>	<b>30</b>	<b>30</b>	<b>30</b>	<b>10</b>	<b>10</b>	<b>10</b>	<b>10</b>	<b>10</b>	<b>10</b>	<b>0</b>
<b>Roomindices</b>	Utilization coefficients for pendant mounted luminaires											
<b>0.6</b>	70	72	68	70	67	75	69	66	67	65	65	63
<b>0.8</b>	74	77	73	74	71	78	73	70	71	69	69	66
<b>1</b>	77	81	77	77	74	80	75	73	73	72	71	68
<b>1.25</b>	81	86	82	81	78	82	78	77	76	75	74	71
<b>1.5</b>	82	88	84	83	80	83	80	78	77	76	75	72
<b>2</b>	85	91	88	85	82	84	81	80	79	78	76	73
<b>2.5</b>	86	93	90	86	84	85	82	81	79	78	77	74
<b>3</b>	87	95	92	87	85	85	83	82	80	79	78	75
<b>4</b>	88	97	95	88	86	85	84	83	80	80	78	75
<b>5</b>	89	98	96	89	87	86	84	84	81	80	78	75

## PHOTOMETRIC RESULTS

<b>Name:</b>	<b>CTL-10-DI-640-TFL 3000K</b>			
<b>Type:</b>	LED DOWN LIGHT	<b>Diameter:</b>	30 mm	
<b>Luminaire:</b>	AL.Die-casting, PC.MEDIUM REF. Ø35	<b>Length:</b>	0 mm	
<b>Test no.:</b>	LT-2023-11-27-T07	<b>Width:</b>	0 mm	
<b>Lamp type:</b>	LED10W, 220mA, 3000K, CRI90	<b>Height:</b>	100 mm	
<b>No. of lamps:</b>	1	<b>Power:</b>	10.19 W	
<b>Lamp flux:</b>	797.00 lm	<b>Operator:</b>	ASY	
<b>Date:</b>	2023-11-29 PM 12:28:40	<b>LOR:</b>	80.8 %	
<b>Comment:</b>	EAGL CRISE LS-8-220 SI E1 9.24W Max, 30-42VDC, 220mA			

## UGR Unified Glare Ratios

Ceiling reflectance		0.7	0.7	0.5	0.5	0.3	0.7	0.7	0.5	0.5	0.3
Wall reflectance		0.5	0.3	0.5	0.3	0.3	0.5	0.3	0.5	0.3	0.3
Floor cavity reflectance		0.2	0.2	0.2	0.2	0.2	0.2	0.2	0.2	0.2	0.2
Room dimension		Viewed crosswise					Viewed endwise				
2H	2H	10.8	11.5	11.2	11.8	12.2	10.8	11.5	11.2	11.8	12.2
2H	3H	11.2	11.9	11.6	12.2	12.6	11.2	11.9	11.6	12.2	12.6
2H	4H	11.4	12.0	11.8	12.4	12.7	11.4	12.0	11.8	12.4	12.7
2H	6H	11.5	12.0	11.9	12.4	12.8	11.5	12.0	11.9	12.4	12.8
2H	8H	11.4	12.0	11.9	12.4	12.8	11.4	12.0	11.9	12.4	12.8
2H	12H	11.4	11.9	11.8	12.3	12.7	11.4	11.9	11.8	12.3	12.7
4H	2H	10.8	11.5	11.3	11.8	12.2	10.8	11.5	11.3	11.8	12.2
4H	3H	11.4	11.9	11.8	12.3	12.7	11.4	11.9	11.8	12.3	12.7
4H	4H	11.6	12.1	12.1	12.5	13.0	11.6	12.1	12.1	12.5	13.0
4H	6H	11.7	12.1	12.2	12.6	13.0	11.7	12.1	12.2	12.6	13.0
4H	8H	11.7	12.1	12.2	12.6	13.0	11.7	12.1	12.2	12.6	13.0
4H	12H	11.7	12.1	12.2	12.5	13.1	11.7	12.1	12.2	12.5	13.1
8H	4H	11.6	11.9	12.0	12.4	12.9	11.6	11.9	12.0	12.4	12.9
8H	6H	11.7	12.0	12.2	12.5	13.0	11.7	12.0	12.2	12.5	13.0
8H	8H	11.8	12.0	12.3	12.6	13.0	11.8	12.0	12.3	12.6	13.0
8H	12H	11.8	12.0	12.3	12.5	13.0	11.8	12.0	12.3	12.5	13.0
12H	4H	11.5	11.9	12.0	12.3	12.8	11.5	11.9	12.0	12.3	12.8
12H	6H	11.7	11.9	12.2	12.5	13.0	11.7	11.9	12.2	12.5	13.0
12H	8H	11.7	11.9	12.3	12.5	13.0	11.7	11.9	12.3	12.5	13.0



## PHOTOMETRIC RESULTS

<b>Name:</b>	<b>CTL-10-DI-640-TFL 3000K</b>		
<b>Type:</b>	LED DOWN LIGHT	<b>Diameter:</b>	30 mm
<b>Luminaire:</b>	AL.Die-casting, PC.MEDIUM REF. Ø35	<b>Length:</b>	0 mm
<b>Test no.:</b>	LT-2023-11-27-T07	<b>Width:</b>	0 mm
<b>Lamp type:</b>	LED10W, 220mA, 3000K, CRI90	<b>Height:</b>	100 mm
<b>No. of lamps:</b>	1	<b>Power:</b>	10.19 W
<b>Lamp flux:</b>	797.00 lm	<b>Operator:</b>	ASY
<b>Date:</b>	2023-11-29 PM 12:28:40	<b>LOR:</b>	80.8 %
<b>Comment:</b>	EAGL CRISE LS-8-220 SI E1 9.24W Max, 30-42VDC, 220mA		

### Zonal flux CTL-10-DI-640-TFL 3000K / C-Plane measurement

Gamma [°]	Imin [cd/klm]	Imax [cd/klm]	Imean [cd/klm]	Zonal flux [lm]	Sum. zonal flux [lm]	Rel. zonal flux [%]	Sum. rel. zonal flux [%]
0.0	2971.8	2971.8	2971.8	0.57	0.57	0.07	0.07
1.0	2957.7	2957.7	2957.7	4.51	5.08	0.57	0.64
2.0	2916.5	2916.5	2916.5	8.90	13.97	1.12	1.75
3.0	2847.7	2847.7	2847.7	13.03	27.00	1.63	3.39
4.0	2760.3	2760.3	2760.3	16.83	43.83	2.11	5.50
5.0	2655.6	2655.6	2655.6	20.23	64.06	2.54	8.04
6.0	2535.3	2535.3	2535.3	23.16	87.22	2.91	10.94
7.0	2401.2	2401.2	2401.2	25.58	112.80	3.21	14.15
8.0	2258.8	2258.8	2258.8	27.48	140.27	3.45	17.60
9.0	2110.8	2110.8	2110.8	28.86	169.13	3.62	21.22
10.0	1960.6	1960.6	1960.6	29.76	198.89	3.73	24.95
11.0	1805.8	1805.8	1805.8	30.12	229.00	3.78	28.73
12.0	1658.9	1658.9	1658.9	30.14	259.15	3.78	32.52
13.0	1518.2	1518.2	1518.2	29.85	289.00	3.75	36.26
14.0	1383.9	1383.9	1383.9	29.26	318.26	3.67	39.93
15.0	1255.7	1255.7	1255.7	28.40	346.66	3.56	43.50
16.0	1141.9	1141.9	1141.9	27.51	374.17	3.45	46.95
17.0	1041.4	1041.4	1041.4	26.61	400.78	3.34	50.29
18.0	951.2	951.2	951.2	25.69	426.47	3.22	53.51
19.0	868.2	868.2	868.2	24.70	451.17	3.10	56.61
20.0	789.4	789.4	789.4	23.60	474.77	2.96	59.57
21.0	704.9	704.9	704.9	22.08	496.85	2.77	62.34
22.0	615.0	615.0	615.0	20.14	516.99	2.53	64.87
23.0	520.2	520.2	520.2	17.77	534.75	2.23	67.10
24.0	426.2	426.2	426.2	15.15	549.90	1.90	69.00
25.0	333.3	333.3	333.3	12.31	562.21	1.54	70.54
26.0	250.5	250.5	250.5	9.60	571.81	1.20	71.75
27.0	179.0	179.0	179.0	7.10	578.91	0.89	72.64
28.0	125.6	125.6	125.6	5.15	584.07	0.65	73.28
29.0	91.3	91.3	91.3	3.87	587.94	0.49	73.77

## Zonal flux CTL-10-DI-640-TFL 3000K / C-Plane measurement

Gamma [°]	Imin [cd/klm]	Imax [cd/klm]	Imean [cd/klm]	Zonal flux [lm]	Sum. zonal flux [lm]	Rel. zonal flux [%]	Sum. rel. zonal flux [%]
30.0	69.5	69.5	69.5	3.04	590.98	0.38	74.15
31.0	56.0	56.0	56.0	2.52	593.50	0.32	74.47
32.0	48.5	48.5	48.5	2.24	595.74	0.28	74.75
33.0	43.7	43.7	43.7	2.08	597.82	0.26	75.01
34.0	40.2	40.2	40.2	1.96	599.78	0.25	75.25
35.0	36.9	36.9	36.9	1.85	601.63	0.23	75.49
36.0	34.3	34.3	34.3	1.76	603.39	0.22	75.71
37.0	31.9	31.9	31.9	1.68	605.07	0.21	75.92
38.0	29.9	29.9	29.9	1.61	606.68	0.20	76.12
39.0	28.1	28.1	28.1	1.54	608.22	0.19	76.31
40.0	26.5	26.5	26.5	1.49	609.71	0.19	76.50
41.0	25.2	25.2	25.2	1.44	611.16	0.18	76.68
42.0	24.0	24.0	24.0	1.41	612.56	0.18	76.86
43.0	23.0	23.0	23.0	1.37	613.93	0.17	77.03
44.0	22.0	22.0	22.0	1.33	615.27	0.17	77.20
45.0	21.1	21.1	21.1	1.30	616.57	0.16	77.36
46.0	20.2	20.2	20.2	1.27	617.84	0.16	77.52
47.0	19.5	19.5	19.5	1.25	619.09	0.16	77.68
48.0	18.8	18.8	18.8	1.22	620.30	0.15	77.83
49.0	18.1	18.1	18.1	1.19	621.50	0.15	77.98
50.0	17.5	17.5	17.5	1.17	622.67	0.15	78.13
51.0	16.9	16.9	16.9	1.15	623.82	0.14	78.27
52.0	16.1	16.1	16.1	1.11	624.93	0.14	78.41
53.0	15.8	15.8	15.8	1.10	626.03	0.14	78.55
54.0	15.0	15.0	15.0	1.06	627.09	0.13	78.68
55.0	14.6	14.6	14.6	1.04	628.13	0.13	78.81
56.0	13.8	13.8	13.8	1.00	629.13	0.13	78.94
57.0	13.4	13.4	13.4	0.98	630.11	0.12	79.06
58.0	12.7	12.7	12.7	0.94	631.05	0.12	79.18
59.0	12.0	12.0	12.0	0.90	631.95	0.11	79.29
60.0	11.3	11.3	11.3	0.86	632.81	0.11	79.40
61.0	10.4	10.4	10.4	0.80	633.60	0.10	79.50
62.0	9.8	9.8	9.8	0.76	634.36	0.09	79.59
63.0	9.1	9.1	9.1	0.71	635.07	0.09	79.68
64.0	8.7	8.7	8.7	0.68	635.75	0.09	79.77
65.0	7.8	7.8	7.8	0.62	636.36	0.08	79.84
66.0	7.6	7.6	7.6	0.61	636.97	0.08	79.92
67.0	7.4	7.4	7.4	0.60	637.56	0.07	80.00
68.0	6.7	6.7	6.7	0.54	638.11	0.07	80.06
69.0	6.5	6.5	6.5	0.53	638.64	0.07	80.13
70.0	6.4	6.4	6.4	0.53	639.17	0.07	80.20
71.0	5.5	5.5	5.5	0.45	639.62	0.06	80.25
72.0	5.4	5.4	5.4	0.45	640.07	0.06	80.31

## Zonal flux CTL-10-DI-640-TFL 3000K / C-Plane measurement

Gamma [°]	Imin [cd/klm]	Imax [cd/klm]	Imean [cd/klm]	Zonal flux [lm]	Sum. zonal flux [lm]	Rel. zonal flux [%]	Sum. rel. zonal flux [%]
73.0	5.3	5.3	5.3	0.44	640.52	0.06	80.37
74.0	4.4	4.4	4.4	0.37	640.89	0.05	80.41
75.0	4.3	4.3	4.3	0.37	641.25	0.05	80.46
76.0	4.3	4.3	4.3	0.36	641.62	0.05	80.50
77.0	3.3	3.3	3.3	0.28	641.90	0.04	80.54
78.0	3.2	3.2	3.2	0.28	642.18	0.03	80.57
79.0	3.2	3.2	3.2	0.28	642.46	0.03	80.61
80.0	2.8	2.8	2.8	0.24	642.70	0.03	80.64
81.0	2.3	2.3	2.3	0.19	642.89	0.02	80.66
82.0	2.2	2.2	2.2	0.19	643.08	0.02	80.69
83.0	2.2	2.2	2.2	0.19	643.27	0.02	80.71
84.0	1.7	1.7	1.7	0.15	643.42	0.02	80.73
85.0	1.3	1.3	1.3	0.11	643.53	0.01	80.74
86.0	1.1	1.1	1.1	0.09	643.62	0.01	80.76
87.0	1.1	1.1	1.1	0.09	643.72	0.01	80.77
88.0	1.1	1.1	1.1	0.09	643.81	0.01	80.78
89.0	0.8	0.8	0.8	0.07	643.88	0.01	80.79
90.0	0.6	0.6	0.6	0.06	643.94	0.01	80.79