

## DOWNLIGHT



### MATERIAL

Aluminum Die-Casting, Electrostatic Powder Coating  
COVER: PC

### STANDARD COLORS

White, Gray, Black

### SOURCE INFORMATION

WATTAGE	13W / 21W / 28W
INPUT VOLTAGE	120VAC-277VAC
CRI	90
COLOR TEMP	2700K/3000K/3500K/4000K
OPERATING TEMP	-4 to +104 °F

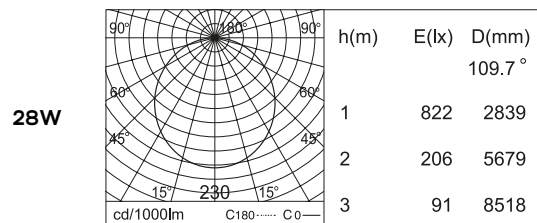
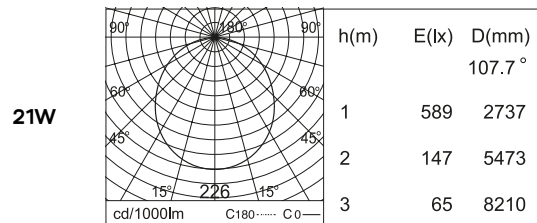
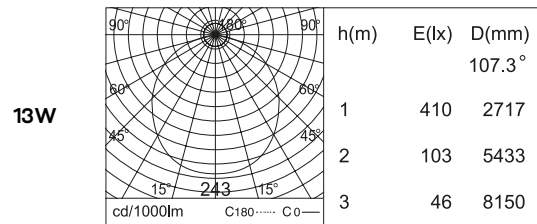
### TYPE OF LED

SMD

### WARRANTY

50 000 hours at 77 °F

### PHOTOMETRICS



Fixture type:

Job information:

--	--

## PRODUCT DEFINITION SHEET



1	2	3	4	5	6
7	8	9	10	11	12

1	2	3	4	5	6
SERIES	WATTAGE	LIGHT DISTRIBUTION	HOUSING TYPE	DIAMETER	LUMEN OUTPUT
<input type="checkbox"/> SOL	<input type="checkbox"/> 13W	<input type="checkbox"/> DI Direct	<input type="checkbox"/> SFLT Surface Mount Flangeless Trim <input type="checkbox"/> TWF Trim With Flange <input type="checkbox"/> FLT Flangeless Trim	<input type="checkbox"/> 4 3/4' <input type="checkbox"/> 6' <input type="checkbox"/> 6'	<input type="checkbox"/> 1100 lm
<input type="checkbox"/> 21W	<input type="checkbox"/> AD Adjustable	<input type="checkbox"/> FLT Flangeless Trim	<input type="checkbox"/> FLT Flangeless Trim	<input type="checkbox"/> 6'	<input type="checkbox"/> 1600 lm
<input type="checkbox"/> 28W	<input type="checkbox"/> DI Direct	<input type="checkbox"/> TWF Trim With Flange	<input type="checkbox"/> TWF Trim With Flange <input type="checkbox"/> FLT Flangeless Trim	<input type="checkbox"/> 9'	<input type="checkbox"/> 2270 lm

7	8	9	10
FLANGE COLOR	COLOR TEMP	MOUNTING	DRIVER
<input type="checkbox"/> W White <input type="checkbox"/> G Grey <input type="checkbox"/> B Black	<input type="checkbox"/> 90 CRI <input type="checkbox"/> 27K <input type="checkbox"/> 30K <input type="checkbox"/> 35K <input type="checkbox"/> 40K	<input type="checkbox"/> RM Recessed mount <input type="checkbox"/> SM Surface Mount* *For Surface Mount Flangeless Trim and Adjustable only	<input type="checkbox"/> V010 0-10V Universal Voltage Remote Driver For other dimming options contact Mercury

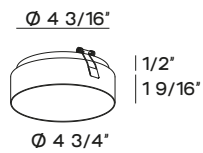
11	12
DRIVER LOCATION	VOLTAGE
<input type="checkbox"/> IC & NON IC <input type="checkbox"/> RE Remote* *For Surface Mount only	<input type="checkbox"/> UNIV 120VAC-277 VAC

## DIMENSIONS



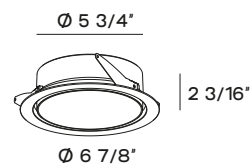
### SOL-13

SURFACE MOUNT FLANGELESS TRIM



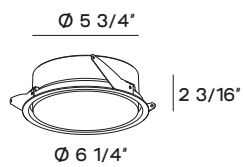
### SOL-13

TRIM WITH FLANGE



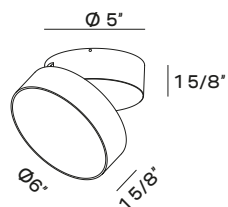
### SOL-13

FLANGELESS TRIM



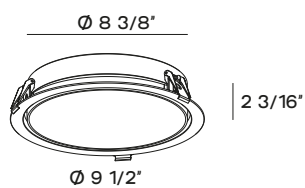
### SOL-21

FLANGELESS TRIM



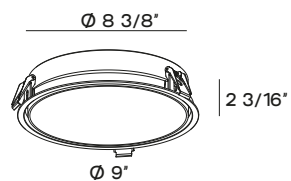
### SOL-28

TRIM WITH FLANGE



### SOL-28

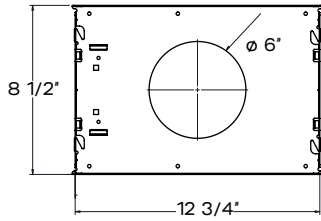
FLANGELESS TRIM



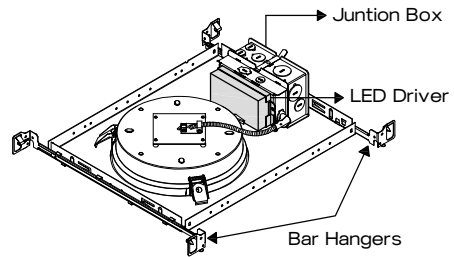
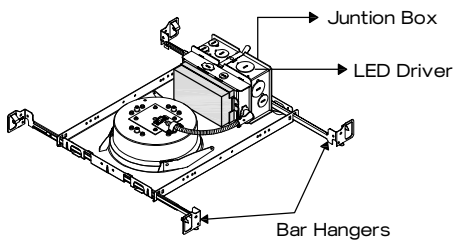
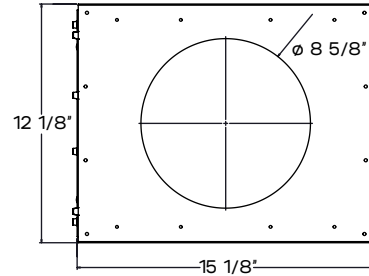
## NON-IC



FOR SOL-13-DI-TWF AND SOL-13-DI-FLT ONLY

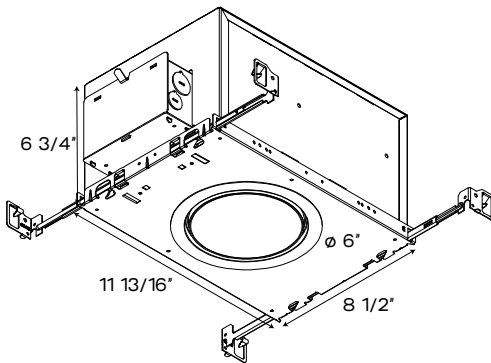


FOR SOL-28 ONLY

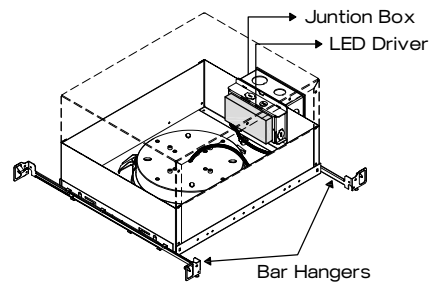
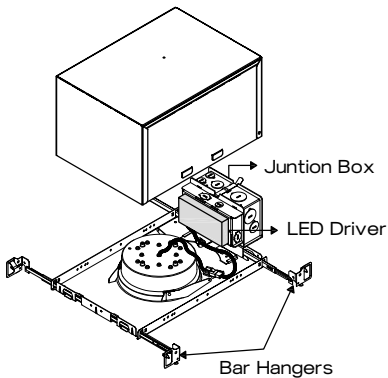
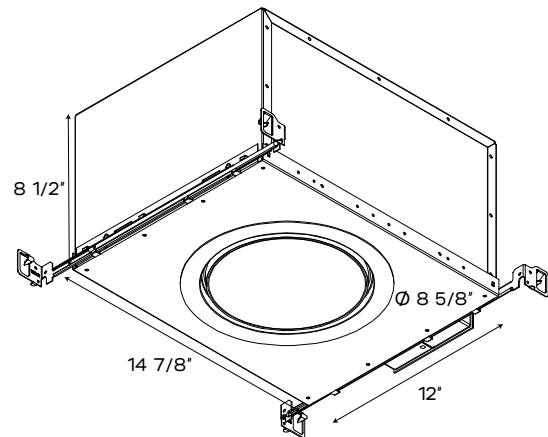


## IC BOX

FOR SOL-13-DI-TWF AND SOL-13-DI-FLT ONLY



FOR SOL-28 ONLY



## REMOTE DRIVER (FOR SURFACE MOUNT ONLY)



- Inside the ceiling where the lighting fixture is to be installed.
- Connect the driver and luminaires via the quick connect.

