

## DOWNLIGHT



### MATERIAL

Aluminum Die-Casting, & Aluminum Extrude, Electrostatic Powder Coating  
LOUVER: PC

### STANDARD COLORS

White, Gray, Black

### SOURCE INFORMATION

WATTAGE	14W / 25W / 36W
INPUT VOLTAGE	120VAC-277VAC
CRI	90
COLOR TEMP	2700K/3000K/3500K/4000K
OPERATING TEMP	-4 to +104 °F

### TYPE OF LED

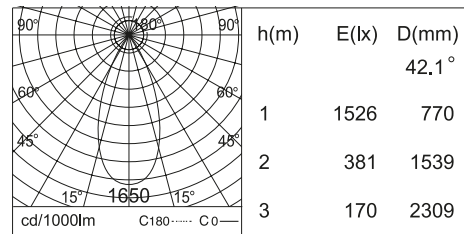
Power LED

### WARRANTY

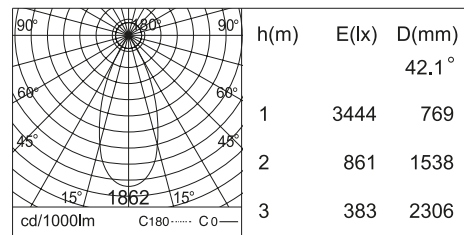
50 000 hours at 77 °F

### PHOTOMETRICS

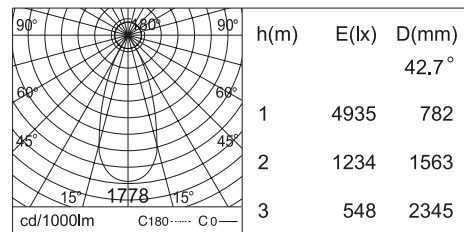
#### 14W



#### 25W



#### 36W



Fixture type:

Job information:

## PRODUCT DEFINITION SHEET



1	2	3	4	5	6
7	8	9	10	11	12

1	2	3	4	5	6
SERIES	WATTAGE	LIGHT DISTRIBUTION	HOUSING TYPE	BEAM ANGLE	LUMEN OUTPUT
<input type="checkbox"/> ORB	<input type="checkbox"/> 14W (5 cell)	<input type="checkbox"/> DI Direct	<input type="checkbox"/> TWF Trim With Flange	<input type="checkbox"/> 42°	<input type="checkbox"/> 750 lm
	<input type="checkbox"/> 25W (10 cell)	<input type="checkbox"/> DI Direct	<input type="checkbox"/> TWF Trim With Flange	<input type="checkbox"/> 42°	<input type="checkbox"/> 1750 lm
	<input type="checkbox"/> 36W (15 cell)	<input type="checkbox"/> DI Direct	<input type="checkbox"/> TWF Trim With Flange	<input type="checkbox"/> 42°	<input type="checkbox"/> 2600 lm

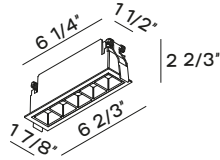
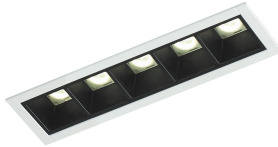
7	8	9	10
FLANGE COLOR	COLOR TEMP	MOUNTING	DRIVER
<input type="checkbox"/> <input type="checkbox"/> W White <input type="checkbox"/> <input type="checkbox"/> G Grey <input type="checkbox"/> <input type="checkbox"/> B Black	<input checked="" type="checkbox"/> 90 CRI <input type="checkbox"/> 27K <input type="checkbox"/> 30K <input type="checkbox"/> 35K <input type="checkbox"/> 40K	<input type="checkbox"/> RM Recessed mount	<input type="checkbox"/> V010 0-10V Universal Voltage Driver For other dimming options contact Mercury

11	12
DRIVER LOCATION	VOLTAGE
<input type="checkbox"/> IC <input type="checkbox"/> NON-IC	<input type="checkbox"/> UNIV 120VAC-277 VAC

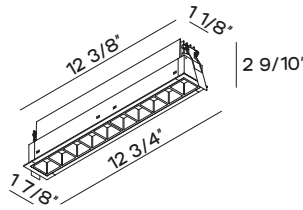
## DIMENSIONS



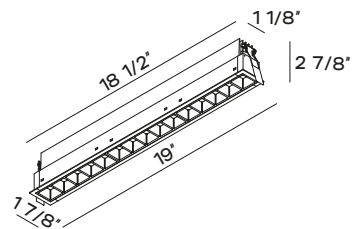
### ORB-14



### ORB-25



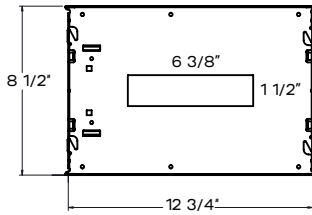
### ORB-36



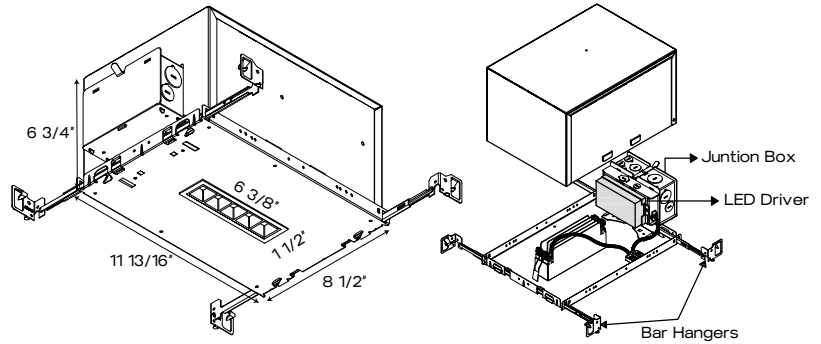


## ORB-14

### NON-IC

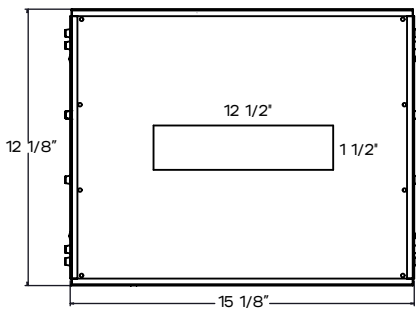


### IC BOX

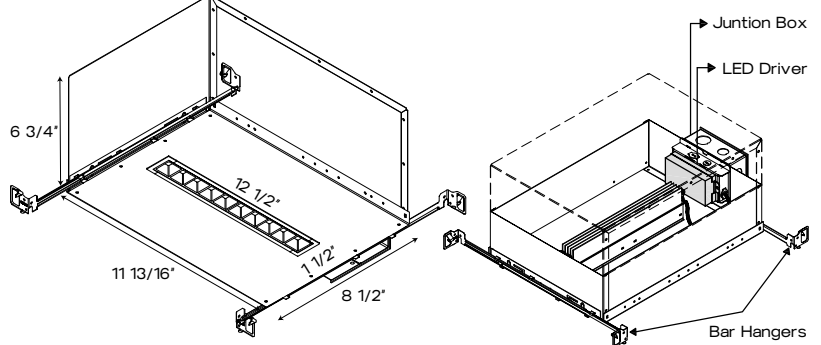


## ORB-25

### NON-IC

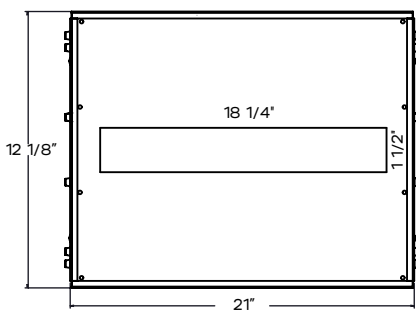


### IC BOX



## ORB-36

### NON-IC



### IC BOX

