

## DOWNLIGHT



4W



9W

### MATERIAL

Aluminum Die-Casting, Electrostatic Powder Coating  
TRIM: ABS (Chrome) or PC

### STANDARD COLORS

White, Gray, Black

### SOURCE INFORMATION

WATTAGE	4W / 9W
INPUT VOLTAGE	120VAC-277VAC
CRI	90
COLOR TEMP	2700K/3000K/3500K/4000K
OPERATING TEMP	-4 to +104 °F

### TYPE OF LED

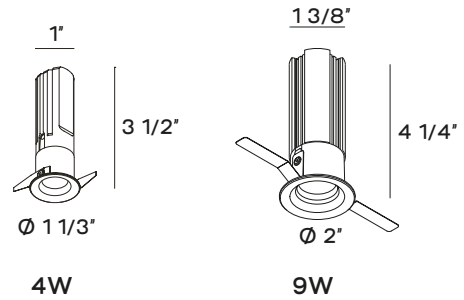
COB

### WARRANTY

50 000 hours at 77 °F

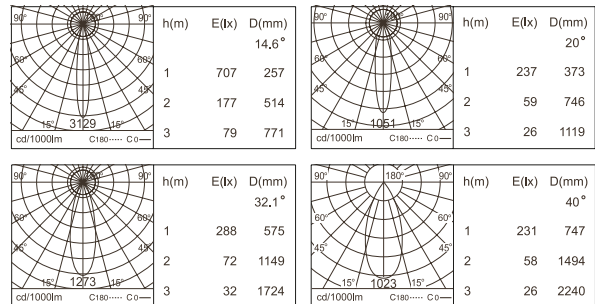
Fixture type:	Job information:
<input type="text"/>	<input type="text"/>

### DIMENSIONS

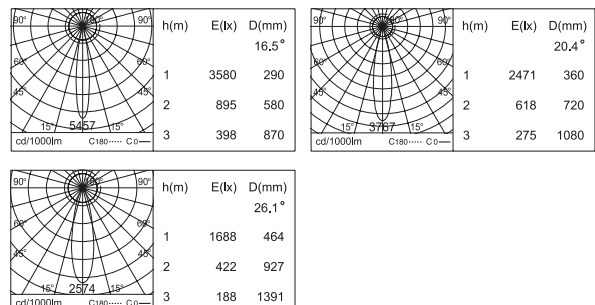


### PHOTOMETRICS

#### 4W



#### 9W



## PRODUCT DEFINITION SHEET



1	2	3	4	5	6
7	8	9	10	11	

1	2	3	4	5	6
SERIES	WATTAGE	LIGHT DISTRIBUTION	HOUSING TYPE	BEAM ANGLE	LUMEN OUTPUT
<input type="checkbox"/> NBL	<input type="checkbox"/> 4W	<input type="checkbox"/> DI Direct	<input type="checkbox"/> TWF Trim With Flange	<input type="checkbox"/> 14° <input type="checkbox"/> 20° <input type="checkbox"/> 32° <input type="checkbox"/> 40°	<input type="checkbox"/> 110 lm <input type="checkbox"/> 80 lm <input type="checkbox"/> 110 lm <input type="checkbox"/> 130 lm
	<input type="checkbox"/> 9W	<input type="checkbox"/> DI Direct	<input type="checkbox"/> TWF Trim With Flange	<input type="checkbox"/> 16° <input type="checkbox"/> 20° <input type="checkbox"/> 26°	<input type="checkbox"/> 470 lm <input type="checkbox"/> 460 lm <input type="checkbox"/> 440 lm

7	8	9	10
TRIM COLOR	COLOR TEMP	MOUNTING	DRIVER
<input type="checkbox"/> <input type="checkbox"/> W White <input type="checkbox"/> <input type="checkbox"/> G Grey <input type="checkbox"/> <input type="checkbox"/> B Black	90 CRI <input type="checkbox"/> 27K <input type="checkbox"/> 30K <input type="checkbox"/> 35K <input type="checkbox"/> 40K	<input type="checkbox"/> RM Recessed Mount	<input type="checkbox"/> V010 0-10V Universal Voltage Remote Driver For other dimming options contact Mercury

11
VOLTAGE
<input type="checkbox"/> UNIV 120VAC-277 VAC

## CONNECTION



- Inside the ceiling where the lighting fixture is to be installed.
- Connect the driver and luminaires via the quick connect.

